

Energy Management Accessories Type SIU TCP 2

CARLO GAVAZZI



- Virtual COM port serial device server
- RS485 (2/4 wires) serial port available
- Auto detecting 10/100 Mbps Ethernet interface
- Real COM drivers for Windows
- Easy-to-use configuration software suite
- Cigarette pack size
- Wall and DIN-rail mounting
- Built-in default key to restore factory default settings

Product Description

The SIU TCP2 is a gateway between Ethernet TCP/IP and RS485/RS422 serial communications. Data coming from the Ethernet (TCP/IP) is sent to the designated RS485/RS422 port and data being received from RS485/RS422 port is

sent to the Ethernet (TCP/IP) transparently. With the SIU TCP2 it is possible to communicate with a remote device both in the Intranet and Internet environment so the communication distance is increased. You can configure SIU TCP2 as a

How to order

SIU TCP 2

Model

Power supply adapter

TCP server or as a TCP client. Although it connects through the virtual link of Ethernet, the port on SIU TCP2 is recognised as a real COM port by Windows.

SIU TCP2 is supplied with an utility program (Serial Manager) providing a simple step-by-step installation allowing to configure the network parameters of SIU TCP2.

Supply specification

DC supply	9 to 30VDC
Power-on indication	LED
Power consumption	300mA @ 9V (max) 2,8 Watt max

AC/DC power supply adapter	Not Included (see type selection)
AD5V1A (US): American adapter	on request
AD5V1A (EU): European adapter	on request

Input/Output specifications

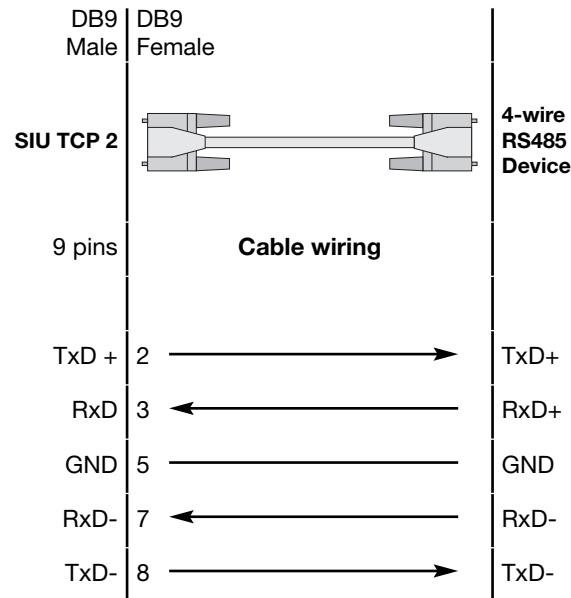
LAN			
Ethernet Connector	10/100 Mbps RJ45	RS485 (2/4-wires) signals	Data+, Data-, GND
"Link" indication	LED	Protection	15kV ESD for all signals
Off:	Ethernet disconnected	Serial communication parameter	
Blinking with green:	Data is transmitting on Ethernet for 100Mbps	Parity	None, even, odd, space, mark
Protection	Built-in 1.5kV magnetic isolation	Data Bits	7, 8
Ports	TCP port 23 (Telnet)	Stop Bits	1, 2
	TCP port 4000 (firmware updating)	Flow control	RTS/CTS, XON/XOFF, NONE, DTR/DSR
	TCP ports 950 and 966 (hostbased/driver mode)	Baud rate	1200bps to 230kbps
	UDP port 1029 (broadcast, monitor, real COM installer)	Nodes and max distance	
Serial COM		1 unit load	up to 32 (1000m)
Blinking with Orange:	Data is transmitting on Ethernet for 10Mbps	Protocols	TCP/IP, UDP, SNMP, HTTP, Telnet, ARP, BOOTP, DHCP, ICMP
Connector	Male DB9	Windows compatibility	Windows, XP, Vista
"Ready" indication	LED, green	Run LED	
	Off: no data is transmitting on COM port,	Red LED	
	Blinking: data is transmitting on COM port.	ON: jumper JP1 pin1 and pin2 are shorted to disable. ΔP firmware running	
		Blinking (rate 0.5sec): ΔP firmware is running normally.	



General specifications

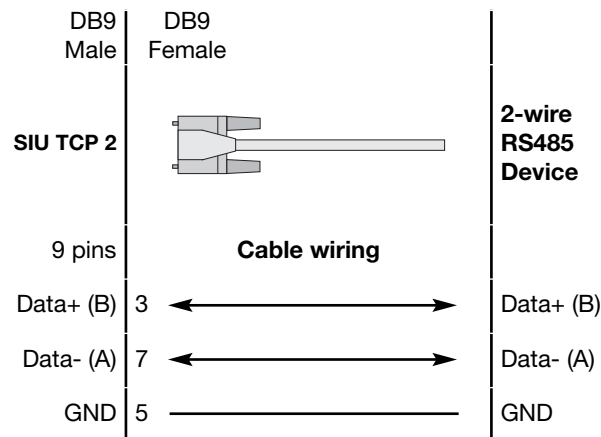
Operating temperature	0°C to +60°C (32°F to 140°F) 5 to 95% RH (non-condensing)	Housing	Dimensions (LxWxH) Material	65 x 78 x 28mm Varnished over iron
Storage temperature	-20°C to +70°C (-4°F to 158°F) 20% to 90% RH (non-condensing)	Protection degree	Weight	IP30 Approx. 363 g (packing included)
EMC Immunity emissions	EN61000-6-1 EN61000-6-4	Standard accessories	DIN-rail mounting kit 9-pole serial cable Configuration software Hardware and software manuals. Quick installation guide	
Standard compliance Safety Medical	EN60950 EN55022, class A			
Approvals	CE			

Wiring diagrams



4-wire RS485 Wiring

Fig. 1



2-wire RS485 wiring

Fig. 2

Pin Assignment

PIN	RS232	RS485 (2W)
1	DCD	-----
2	TxD	-----
3	RxD	Data+ (B)
4	DSR	Data- (A)
5	GND	GND
6	DTR	-----
7	CTS	-----
8	RTS	-----
9	-----	-----

Note: the table is referred to the SIU TCP2 side of the 9-pole connector.

