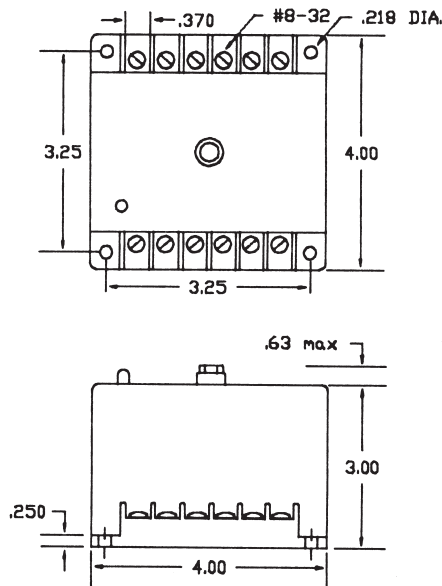
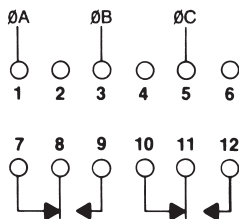


Phase Unbalance & Loss Monitor

**DIMENSIONS (INCHES)**



**WIRING**



The **SLC Series** is designed to protect 3-phase equipment against Phase **UNBALANCE** and **PHASE LOSS** conditions.

**OPERATION**

With normal operating voltages applied to all three phases, the internal relay will remain de-energized (**DROPPED-OUT**).

When a Phase Loss or Phase Unbalance exceeding the pre-selected trip point occurs, the relay will energize (**PICK-UP**). The SLC series is typically used in conjunction with a **SHUNT TRIP BREAKER**.

Both Delta and Wye systems may be monitored. In Wye systems, connections to neutral are not required.

**NOTE:** When a phase is lost while the motor is running, a condition known as regeneration occurs where a voltage is induced into the open phase nearly equal in magnitude to the normal phase-to-phase voltage. The SLC series is designed to detect this condition when properly adjusted.

**SPECIFICATIONS**

|                              |                         |                               |
|------------------------------|-------------------------|-------------------------------|
| <b>OPERATING VOLTAGE</b>     | See Table Below         |                               |
| <b>TRANSIENT PROTECTION</b>  | 1000 Volts For 8 mSEC   |                               |
| <b>RESET</b>                 | Automatic               |                               |
| <b>PHASE UNBALANCE RANGE</b> | 2% to 10%, Adjustable   |                               |
| <b>INDICATORS LED</b>        | Glow On Fault Condition |                               |
| <b>RESPONSE TIMES</b>        | Operate                 | 0.08 SEC                      |
|                              | Release                 | 0.7 SEC                       |
| <b>TEMPERATURE RATING</b>    | Operate                 | 32° to +131°F (0° to +55°C)   |
|                              | Storage                 | -49° to 185°F (-45° to +85°C) |
| <b>U.S. PATENT NUMBER</b>    | 4,331,995               |                               |
| <b>WEIGHT</b>                | 12.5 oz.                |                               |

| MODEL NUMBER | OPERATING VOLTAGE | POWER REQUIRED | OUTPUT RATING  |
|--------------|-------------------|----------------|--|
| SLC-120-ALE  | 120 VA            | 3 VA Max.      | DPDT, 5 Amps, Resistive; 345 VA, Inductive @ 240 VAC |
| SLC-230-ALE  | 208/240 VAC       |                |  |
| SLC-380-ALE  | 380 VAC           | 7 VA Max.      | DPDT, 3 Amps, Resistive; 360 VA, Inductive @ 600 VAC |
| SLC-440-ALE  | 440/480 VAC       |                |  |

All voltages referenced on this page are phase-to-phase.