

The **SLD Series** is designed to protect 3-phase equipment against **PHASE UNBALANCE, PHASE LOSS, UNDER VOLTAGE** and **PHASE REVERSAL** conditions.

OPERATION

With normal operating voltage present on all three phases in the proper phase sequence, the internal relay will energize (PICK-UP). When an incorrect phase sequence or phase loss occurs or the three-phase line voltages fall outside the preset unbalance or under voltage settings, the internal relay will de-energize (DROP-OUT). When all conditions return to normal, the relay will reset.

The Adjustable Release Delay is provided to ignore momentary voltage fluctuations that cause nuisance tripping.

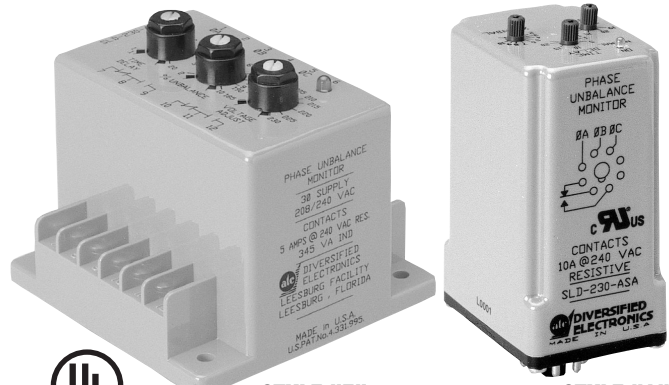
Both Delta and Wye systems may be monitored. In Wye Systems, connections to neutral are not required.

NOTE: When a phase is lost while the motor is running, a condition known as regeneration occurs where a voltage is induced into the open phase nearly equal in magnitude to the normal phase-to-phase voltage. The SLD series is designed to detect this condition when properly adjusted.

The SLD Series is UL Listed under UL File Number E55826.

SPECIFICATIONS

OPERATING VOLTAGE	See Table Below	
TRANSIENT PROTECTION	1000 Volts For 8 mSEC	
RESET	Automatic	
PHASE SEQUENCE	ABC (will not operate CBA)	
PHASE UNBALANCE RANGE	2% to 10%, Adjustable	
INDICATORS LED	Glowes When All Conditions Are Normal	
RESPONSE TIMES	Operate	30 mSEC
	Release	0.1 to 20 SEC, Adjustable (on Under Voltage only); 100 mSEC on Phase Reversal and Unbalance
TEMPERATURE RATING	Operate	32° to +131°F (0° to +55°C)
	Storage	-49° to 185°F (-45° to +85°C)
U.S. PATENT NUMBER	4,331,995	
WEIGHT	13.5 oz.	



UL LISTED
IND. CONT. EQ.
496Y

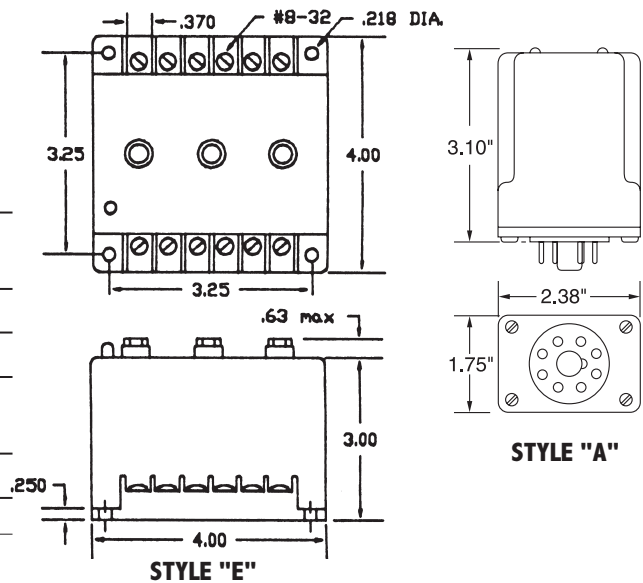
STYLE "E"

STYLE "A"

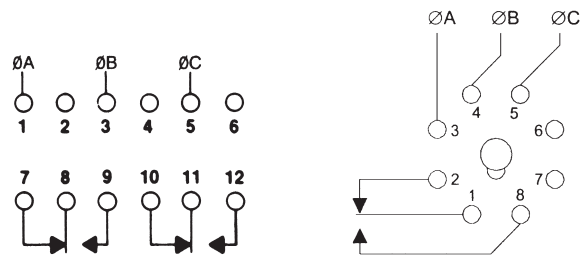
CD **US**

Phase & Under Voltage Monitor

DIMENSIONS (INCHES)



WIRING



MODEL NUMBER	OPERATING VOLTAGE	UNDER VOLTAGE DROPOUT RANGE	POWER REQUIRED	HYSTERESIS	OUTPUT RATING	ENCLOSURE
SLD-120-ASA	120 VAC	95-115 Adj.	3 VA Max.	2.5 VAC	SPDT, 10 Amp, Resistive @ 240 VAC 1/2 HP @ 240 VAC	A
SLD-230-ASA	208/240 VAC	185-230 Adj.		5.0 VAC		
SLD-380-ASA	380 VAC	315-390 Adj.		10 VAC		
SLD-440-ASA	440/480 VAC	370-460 Adj.	7 VA Max	5 VAC	DPDT, 5 Amps, Resistive; 345 VA, Inductive @ 240 VAC	E
SLD-120-ALE	120 VAC	95-115 Adj.		10 VAC		
SLD-230-ALE	208/240 VAC	185-230 Adj.				
SLD-380-ALE	380 VAC	315-390 Adj.				
SLD-440-ALE	440/480 VAC	370-460 Adj.			DPDT, 3 Amps, Resistive; 360 VA, Inductive @ 600 VAC	

All voltage referenced are phase-to-phase.