

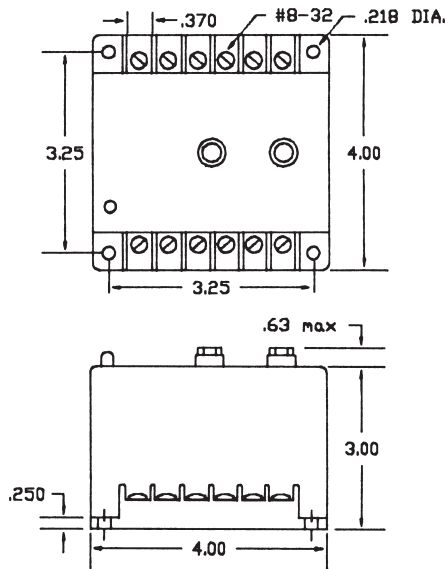
Phase Monitor

- Models Available up to 480 VAC
- PROTECTS 3-PHASE EQUIPMENT AGAINST:
 - Phase Loss
 - Under Voltage
 - Phase Unbalance

LOCK SHAFT ADJUSTMENT FOR:

- Phase Unbalanced Percent
- Under Voltage Drop Out
- Automatic Reset
- Delta or Wye Systems

DIMENSIONS (INCHES)



The **SLE Series** is designed to protect 3-phase equipment against **PHASE UNBALANCE, PHASE LOSS, and UNDER VOLTAGE.**

OPERATION

With normal operating voltage present on all three phases, the internal relay will energize (PICK-UP). When a phase loss occurs or the voltages fall outside the preset unbalance or under voltage settings, the internal relay will de-energize (DROP-OUT). The relay automatically resets when the line conditions return to normal.

Both Delta and Wye systems may be monitored. In Wye Systems, connections to neutral are not required.

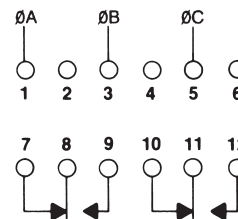
NOTE: When a phase is lost while the motor is running, a condition known as regeneration occurs where a voltage is induced into the open phase nearly equal in magnitude to the normal phase-to-phase voltage. The SLE series is designed to detect this condition when properly adjusted.

The SLE Series is UL Listed under UL File Number E55826

SPECIFICATIONS

OPERATING VOLTAGE	See Table Below	
TRANSIENT PROTECTION	1000 Volts For 8 mSEC	
RESET	Automatic	
PHASE UNBALANCE RANGE	2% to 10%, Adjustable	
INDICATORS LED	Glows When All Conditions Are Normal	
RESPONSE TIMES MODELS UP TO 300 VAC	Operate	60 Milliseconds
	Release	0.5 Seconds
RESPONSE TIMES MODELS OVER 300 VAC	Operate	1 Second
	Release	2 Seconds
TEMPERATURE RATING	Operate	32° to +131°F (0° to +55°C)
	Storage	-49° to 185°F (-45° to +85°C)
U.S. PATENT NO.	4,331,995	
WEIGHT	12.5 to 13 oz.	

WIRING



MODEL NUMBER	OPERATING VOLTAGE	UNDER VOLTAGE DROPOUT RANGE	POWER REQUIRED	HYSTERESIS	OUTPUT RATING
SLE-120-ALE	120 VAC	95-115 Adj.	3 VA Max.	5.0 VAC	DPDT, 5 Amps, Resistive; 345 VA, Inductive @ 240 VAC
SLE-230-ALE	208/240 VAC	185-230 Adj.			
SLE-380-ALE	380 VAC	315-390 Adj.	7 VA Max.	10 VAC	DPDT, 3 Amps, Resistive; 360 VA, Inductive @ 600 VAC
SLE-440-ALE	440/480 VAC	370-460 Adj.			

All voltage referenced are phase-to-phase.