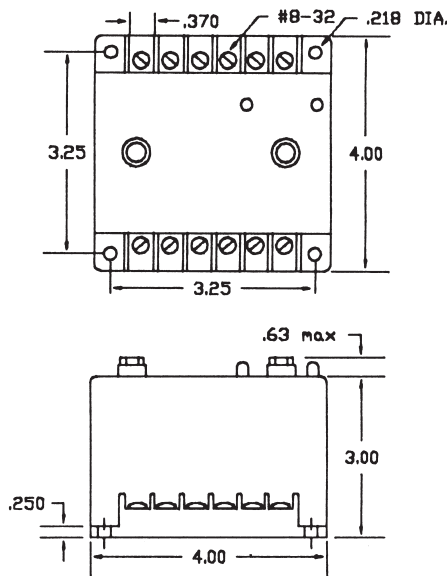


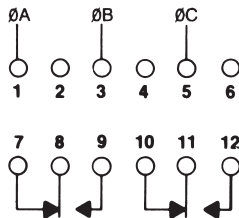
INCLUDES A
DELAY-ON-MAKE
TIMER

Phase & Under Voltage Monitor

DIMENSIONS (INCHES)



WIRING



The **SLJ Series** has a built-in Delay-on-Make Time Delay. The SLJ continuously monitors the three phase lines for adverse conditions such as **PHASE LOSS** (single phasing), **UNDER VOLTAGE** (brown outs), and **PHASE REVERSAL** (improper sequence). When any of these conditions occur, the internal relay will de-energize (DROP-OUT). When the fault is corrected, the field adjustable Delay-on Make delay begins. Upon completion of the time delay, the internal relay will energize (PICK-UP). Any subsequent interruptions will reset the delay period.

The SLJ's phase monitor operates the same as the SLA Series. It will drop-out for a phase loss if any phase drops below 83% of its nominal setting and it will also drop-out for under voltage if all three phases drop below 90% of its nominal setting. It is phase sequence sensitive and will not allow start-up if the three phases are reversed.

The SLJ is available in the same standard operating voltage ranges as our other Phase Monitors (see table below). The Delay-on-Make Timer is field adjustable from 0.2 to 8.0 minutes.

There are two LED indicators. The green indicator glows when all conditions are normal, and the red indicator glows when the internal relay is energized.

The SLJ is ideally suited for multiple equipment installations to stagger start equipment after a fault condition.

SPECIFICATIONS

OPERATING VOLTAGE See Table Below

OUTPUT RATING See Table Below

INDICATORS LED
Green LED Glows When All Conditions Are Normal
Red LED Glows When Relay is Energized

RESPONSE TIMES
Operate 0.2 to 8.0 Minutes, Adjustable
Release See Table Below

TEMPERATURE RATING
Operate 32° to +131°F (0° to +55°C)
Storage -49° to 185°F (-45° to +85°C)

ENCLOSURE Style "E" Lexan, Surface Mounted

TERMINATIONS (12) #8-32 Screw Terminals

WEIGHT 14 oz.

MODEL NUMBER	OPERATING VOLTAGE	DROP-OUT		PICK-UP	DELAY-ON RELEASE	OUTPUT RATING
		1 Ø LOW	3 Ø LOW			
SLJ-120-ALE	95-130 V. Adj.	79-108 V	85-117 V	1 Volt Above Drop-out	0.5 Sec	DPDT, 345 VA Inductive; 10 Amps Resistive @ 240 VAC
SLJ-230-ALE	190-270 V. Adj.	158-224 V	171-243 V		2.0 Sec	DPDT, 360 VA Inductive; 3 Amps Resistive @ 600 VAC
SLJ-380-ALE	350-440 V. Adj.	290-365 V	315-396 V			
SLJ-440-ALE	430-480 V. Adj.	357-398 V	387-432 V			

All voltage referenced are phase-to-phase.