

ULH CONNECTOR

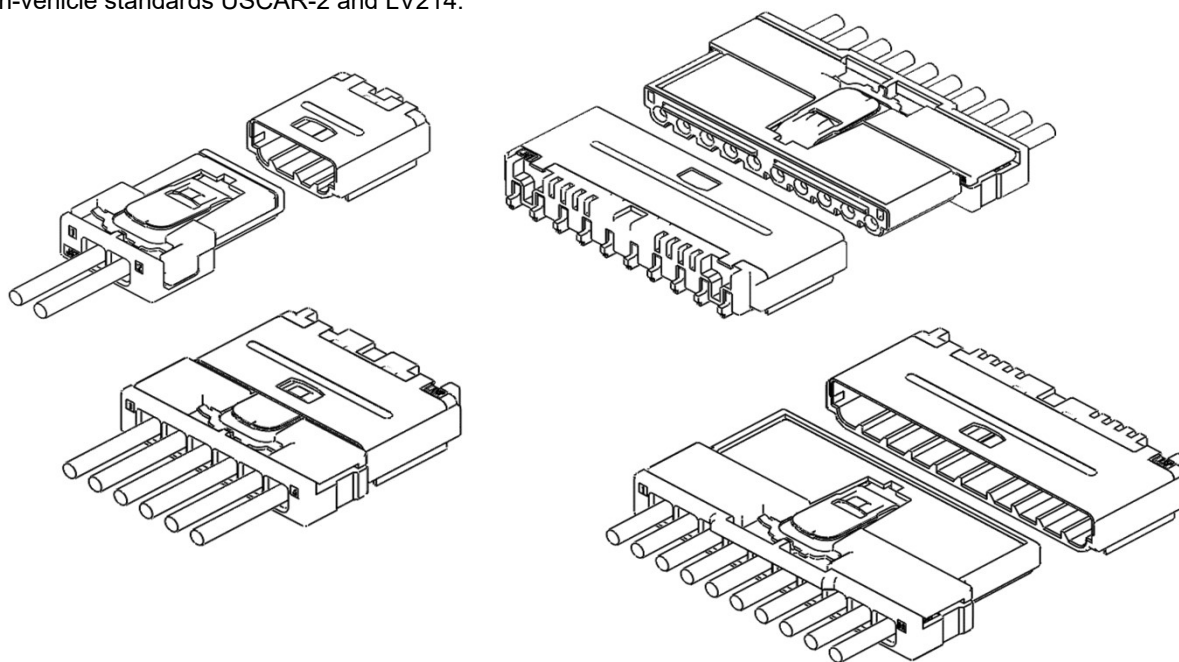
Board-to-wire



■ Features

- Conforming the Automotive Standards; USCAR-2 and LV214
- Low Height and Short Mating Length despite crimped specification
Height: 3.5mm, Mating Length: 14.1mm
- Space-saving Design
- Maintains electrical and mechanical properties even at temperatures up to 125°C
- UL94 V-0, Halogen-free

This SMT connector that achieves the world's smallest class connector height of 3.5 mm as a crimp terminal while having performance that meets the in-vehicle standards USCAR-2 and LV214.



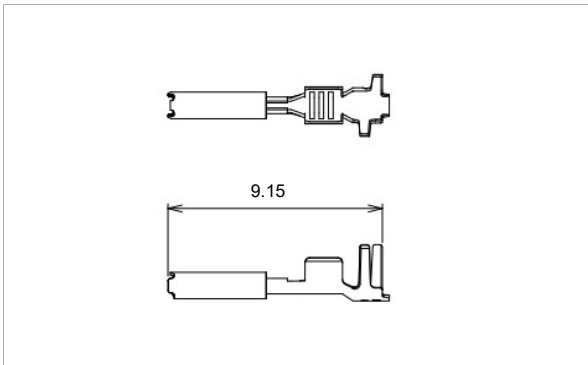
■ Specifications

| Item | Standard | Condition |
|-------------------------|--------------------------|--|
| ● Current rating | 5A AC·DC | Wire for more than 125°C· Applying AWG#22, All circuits |
| ● Operating voltage | 100V AC·DC | IEC60664-1, Pollution degree2 |
| ● Temperature range | -40°C~ +125°C | Including temperature rise in applying |
| ● Applicable wire | AWG#22 | Coating OD: Φ1.5mm max |
| ● Frame resistance | V-0 | UL94 |
| ● Contact resistance | Initial 10mΩ max | DC 100mA |
| ● Insulation resistance | 100MΩ min | DC 500V |
| ● Withstand voltage | No dielectric breakdown | AC 1,000V / min. |
| ● Vibration resistance | After endurance 15mΩ max | LV214 PG17 Severity 2 USCAR-2 V2(10G) |
| ● Heat resistance | After endurance 15mΩ max | Under 125°C, Abandoned for 3,000 hours |
| ● Locking force | 110N min | In case pulling to mating direct |
| ● Halogen | Halogen-free | Meet the definition based on IEC61249-2-21 |

*Compliant with ELV/RoHS2.

*If you have any question, please contact JST.

Female terminal



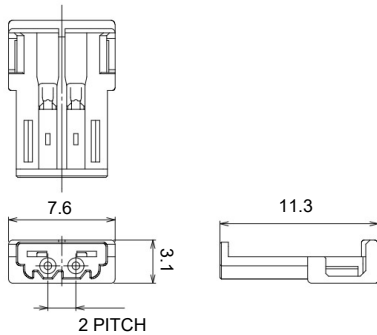
| Size | Model No. | Applicable wire size | | Q'ty/Reel |
|------|-------------------|------------------------------|----------------------|-----------|
| | | Conductor (mm ²) | Insulation O.D. (mm) | |
| M | ① SULH-A021GF-0.5 | 0.35 | 1.5 MAX | 9,000 |
| | ② SULH-A021T-0.5 | | | |

Material and Finish

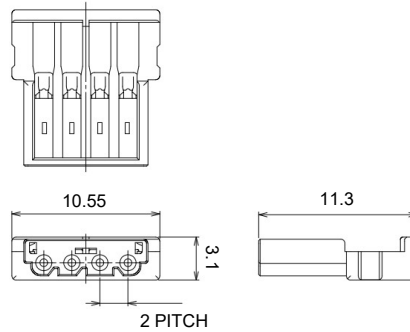
- ① Copper alloy, Nickel-undercoated, Contact area; Gold-plated
Barrel area; Tin-plated (Reflow treatment)
- ② Copper alloy, Tin-plated (Reflow treatment)

Female connector

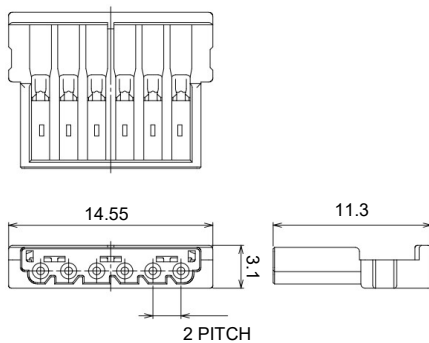
● 2 circuits



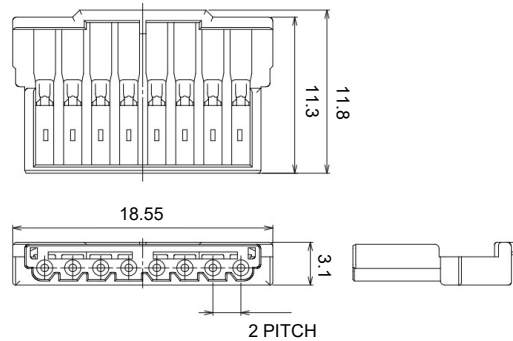
● 4 circuits



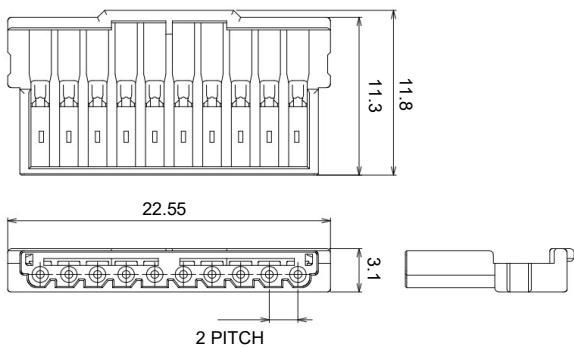
● 6 circuits



● 8 circuits



● 10 circuits



| Circuits | Model No. | Q'ty/box |
|----------|---------------------|----------|
| 2 | ULHRR-02V-1A1-K(HF) | 20,000 |
| 4 | ULHRR-04V-1A1-K(HF) | 18,000 |
| 6 | ULHRR-06V-1A1-K(HF) | 16,000 |
| 8 | ULHRR-08V-1A1-K(HF) | 14,000 |
| 10 | ULHRR-10V-1A1-K(HF) | 12,000 |

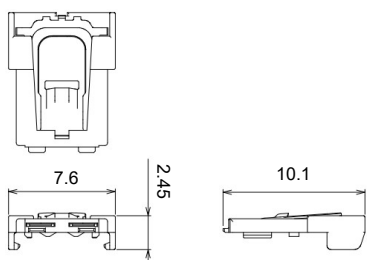
Material and Finish

Housing: Poly-amide, UL94V-0, Halogen-free, Black

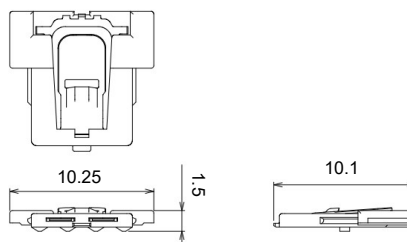
Note: Color/Key codes other than above-mentioned housing are also available.
Contact JST for details.

Female cover

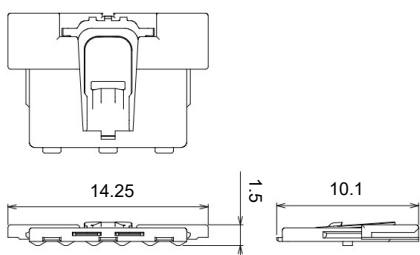
● 2 circuits



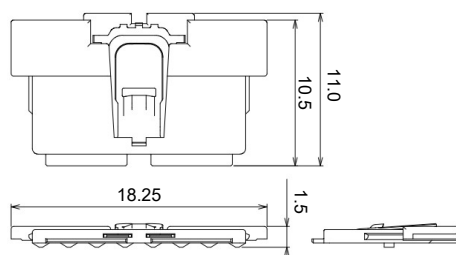
● 4 circuits



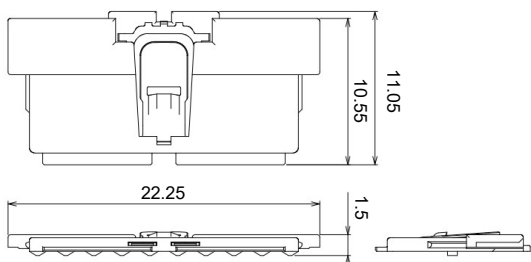
● 6 circuits



● 8 circuits



● 10 circuits



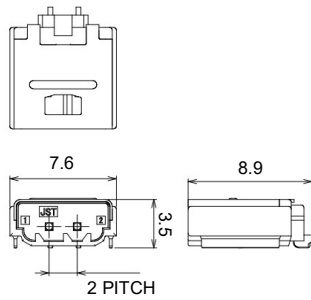
| Circuits | Model No. | Q'ty/box |
|----------|--------------------------|----------|
| 2 | ULHCB-02V-A-K(HF) | 3,712 |
| 4 | ULHCB-04V-A-K(HF) | 2,784 |
| 6 | ULHCB-06V-A-K(HF) | 2,784 |
| 8 | ULHCB-08V-A-K(HF) | 1,856 |
| 10 | ULHCB-10V-A-K(HF) | 1,856 |

Material and Finish

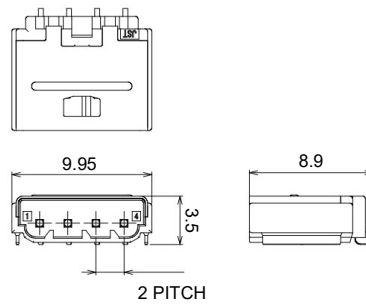
Housing: Poly-amide, UL94V-0, Halogen-free, Black
 Metal lock: Stainless

Male connector

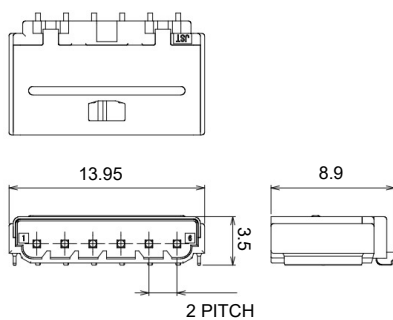
● 2 circuits



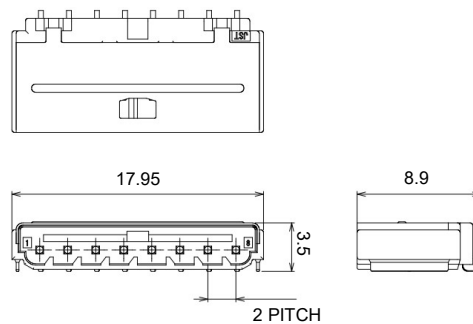
● 4 circuits



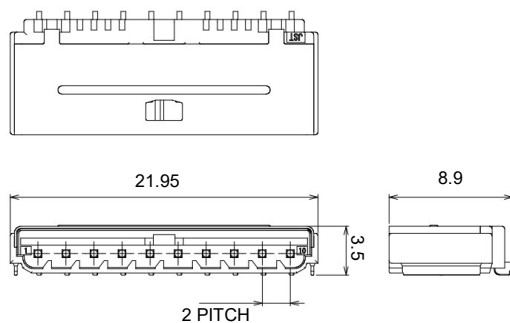
● 6 circuits



● 8 circuits



● 10 circuits



| Plating | Circuits | Model No. | Q'ty/Box |
|---------|----------|--------------------------|----------|
| Au | 2 | SM02B-ULHK-1GFA1-ETB(HF) | 15,300 |
| | 4 | SM04B-ULHK-1GFA1-ETB(HF) | 10,200 |
| | 6 | SM06B-ULHK-1GFA1-ETB(HF) | 10,200 |
| | 8 | SM08B-ULHK-1GFA1-ETB(HF) | 8,500 |
| | 10 | SM10B-ULHK-1GFA1-ETB(HF) | 8,500 |
| Sn | 2 | SM02B-ULHK-1TA1-ETB(HF) | 15,300 |
| | 4 | SM04B-ULHK-1TA1-ETB(HF) | 10,200 |
| | 6 | SM06B-ULHK-1TA1-ETB(HF) | 10,200 |
| | 8 | SM08B-ULHK-1TA1-ETB(HF) | 8,500 |
| | 10 | SM10B-ULHK-1TA1-ETB(HF) | 8,500 |

Material and Finish

Housing: Poly-amide, UL94V-0, Halogen-free, Black

Metal shell: Copper alloy

Male terminal: Copper alloy, Nickel-undercoated

Au - Contact area / Selective gold-plated

Mounting part / Tin-plated (Reflow treatment)

Sn / Tin-plated (Reflow treatment)

Note: Color/Key codes other than above-mentioned housing are also available.
Contact JST for details.