

### Features

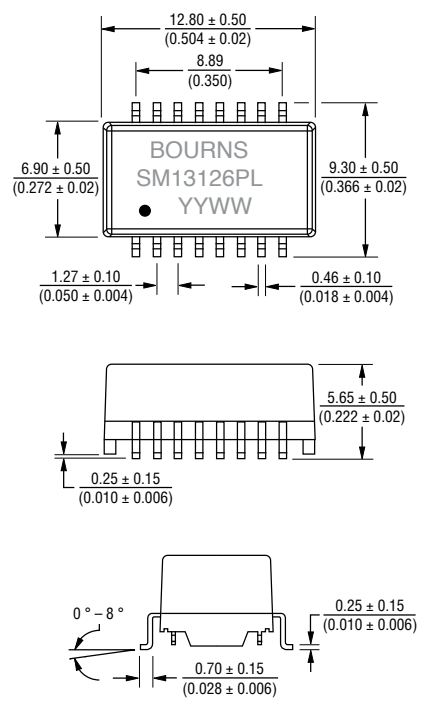
- Compliant with IEEE 802.3 standards
- Designed for 10/100 Base-Tx VoIP and PoE
- RoHS compliant\*

## SM13126PEL - LAN 10/100 Base-Tx VoIP Transformer (PoE) Modules

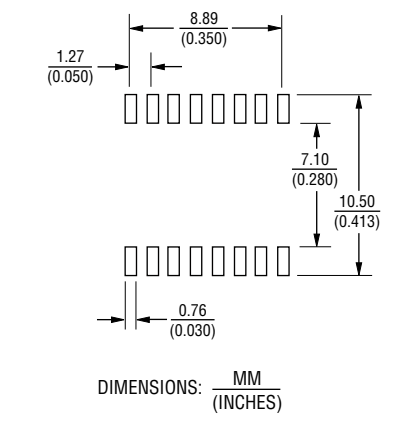
### Electrical Specifications @ 25 °C

Turns Ratio ..... 1 : 1 (±3 %)  
 OCL (@100 kHz,  
 0.1 V, 8 mA, DC Bias) ..... 350 μH min.  
 Leakage Inductance  
 (@ 100 kHz, 0.1 V,  
 with 1-2-3-6-7-8 Short)  
 9-11 = 14-16 ..... 0.5 μH max.  
 Cw/w @ 100 kHz, 0.1 V ..... 35 pF max.  
 DCR  
 1-3 = 6-8 ..... 0.8 ohm max.  
 9-11 = 14-16 ..... 1.1 ohm max.  
 Insertion Loss  
 1-100 MHz ..... -1.2 dB max.  
 Return Loss (@ 100 ohms)  
 1-40 MHz ..... -16 dB min.  
 40-100 MHz  
 ..... -10 +20 log (f/80 MHz) dB min  
 Cross Talk (between each channel)  
 1-100 MHz ..... -25 dB min.  
 DCMRR (TD to TX)  
 1-100 MHz ..... -30 dB Min.  
 PoE Current ..... up to 350 mA  
 Hi-Pot Test ..... 1500 Vac, 1 mA, 60 s  
 Operating Temperature ..... -40 °C to +85 °C  
 Storage Temperature ..... -40 °C to +125 °C  
 Moisture Sensitivity Level ..... 1  
 ESD Classification (HBM) ..... N/A

### Product Dimensions



### Recommended Layout



### Packaging Specifications

Tape & Reel ..... 600 pcs./reel

### How To Order

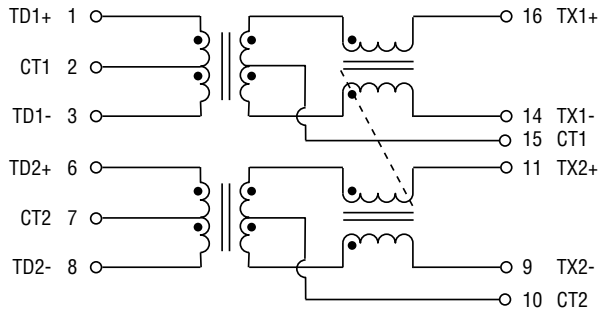
Model **SM13126 P E L**

Construction \_\_\_\_\_  
 P = Potted

Packaging \_\_\_\_\_  
 E = Tape and Reel (600 pcs. per reel)

Termination \_\_\_\_\_  
 L = Tin finish (RoHS Compliant)

### Electrical Schematic



**Asia-Pacific:** Tel: +886-2 2562-4117 • Email: asiacus@bourns.com  
**EMEA:** Tel: +36 88 885 877 • Email: eurocus@bourns.com  
**The Americas:** Tel: +1-951 781-5500 • Email: americus@bourns.com  
[www.bourns.com](http://www.bourns.com)

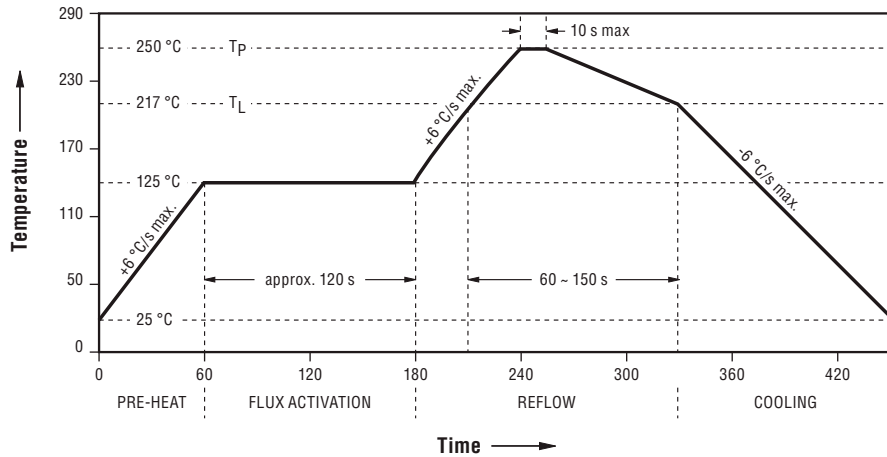


\*RoHS Directive 2015/863, Mar 31, 2015 and Annex.  
 Specifications are subject to change without notice.  
 Users should verify actual device performance in their specific applications.  
 The products described herein and this document are subject to specific legal disclaimers as set forth on the last page of this document, and at [www.bourns.com/docs/legal/disclaimer.pdf](http://www.bourns.com/docs/legal/disclaimer.pdf).

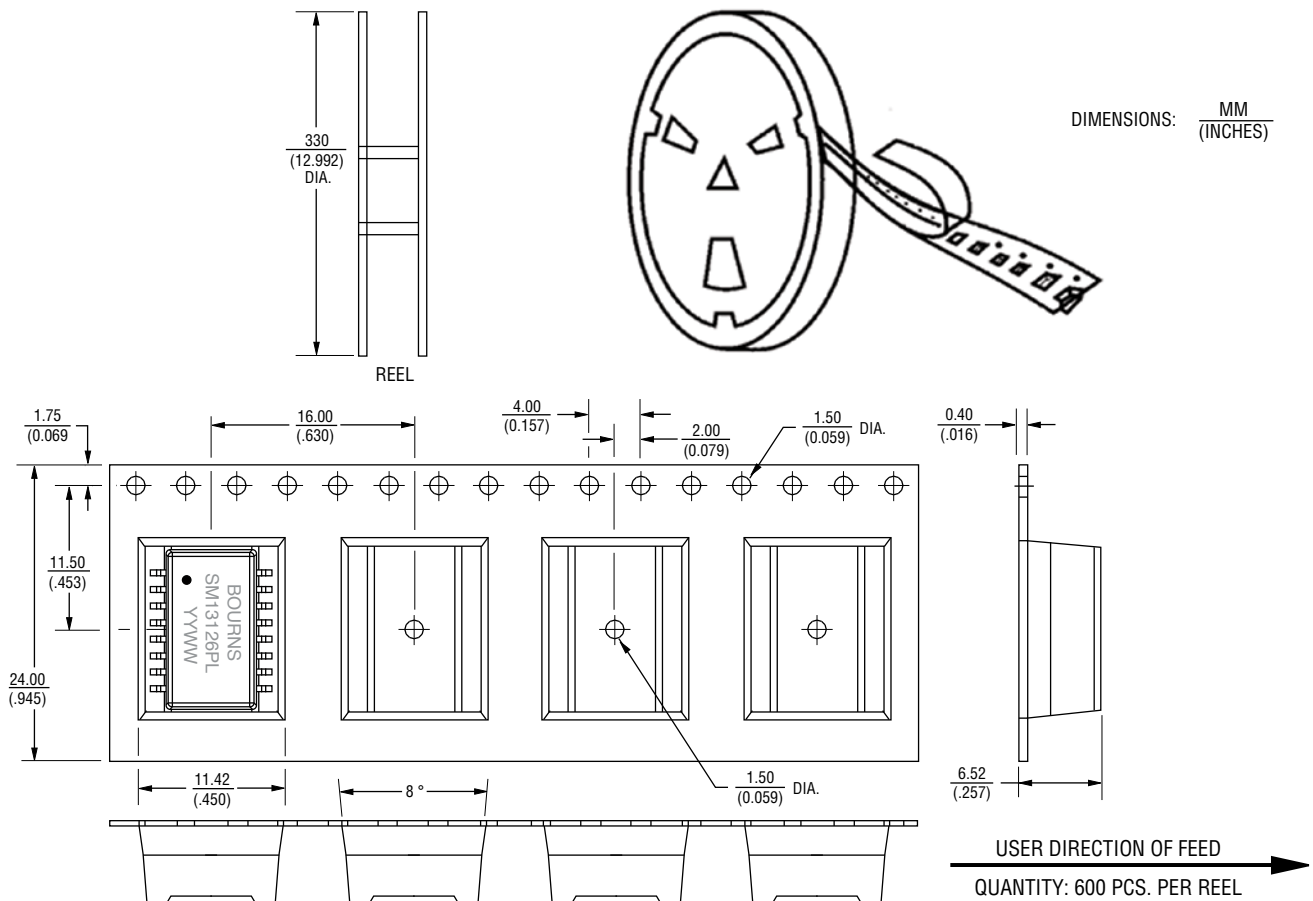
# SM13126PEL - LAN 10/100 Base-Tx VoIP Transformer (PoE) Modules



## Solder Profile



## Packaging Specifications



REV. 05/19

Specifications are subject to change without notice.

Users should verify actual device performance in their specific applications.

The products described herein and this document are subject to specific legal disclaimers as set forth on the last page of this document, and at [www.bourns.com/docs/legal/disclaimer.pdf](http://www.bourns.com/docs/legal/disclaimer.pdf).