

Features

- IEEE 802.3bt Type 3 4PPoE Ethernet compatible
- Dual-port
- PoE++ capable
- RoHS compliant*

SM13143EL - 10/100/1000 Base-T Transformer

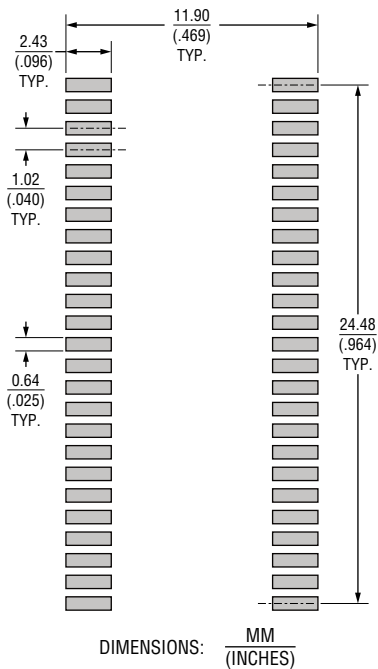
Electrical Specifications @ 25 °C

Inductance (@ 100 kHz, 0.1 V, 8 mA)	350 μ H min.
Leakage Inductance (100 kHz, 0.1 V)	0.5 μ H max.
DCR	1400 m Ω max.
Turns Ratio (1CT:1CT) \pm 5 %	
Insertion Loss	
1-100 MHz	-1.1 dB max.
Return Loss	
1-30 MHz	-18 dB min.
40 MHz	-14.4 dB min.
50 MHz	-13.1 dB min.
60-80 MHz	-12 dB min.
100 MHz	-10 dB min.
Cross Talk	
1-100 MHz	-30 dB min.
Common Mode Rejection	
1-100 MHz	-30 dB min.
PoE++	60W
Each channel supports	
700 mA DC balance current	
Full channels support	
1400 mA DC balance current	
Hi-Pot	1500 Vac, 1 mA, 60 s
Operating Temperature	0 °C to +70 °C
Storage Temperature	-40 °C to +85 °C

Packaging Specifications

Tape & Reel 350 pcs./reel

Recommended Layout



How To Order

Model SM13143 E L

Packaging _____
E = Tape and Reel

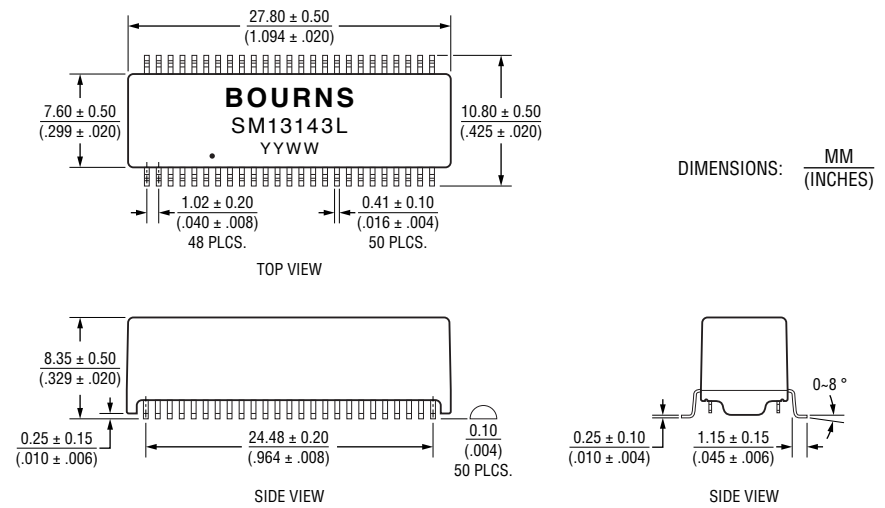
Termination _____
L = Tin finish (RoHS Compliant)

Additional Information

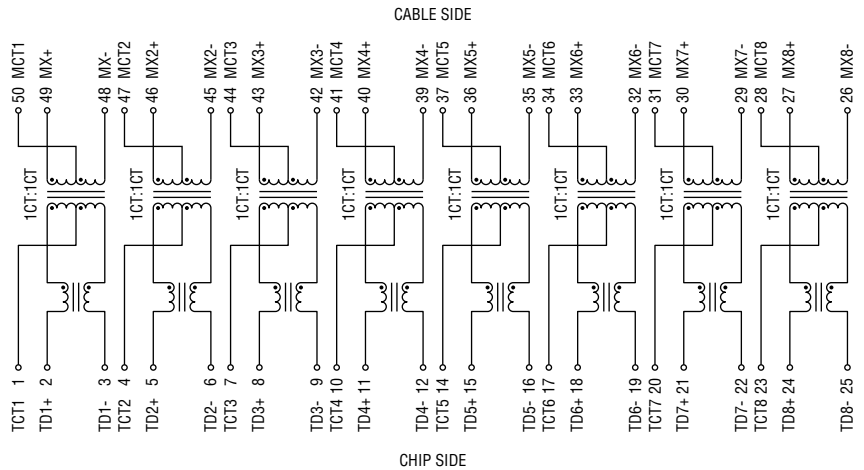
Click these links for more information:



Product Dimensions



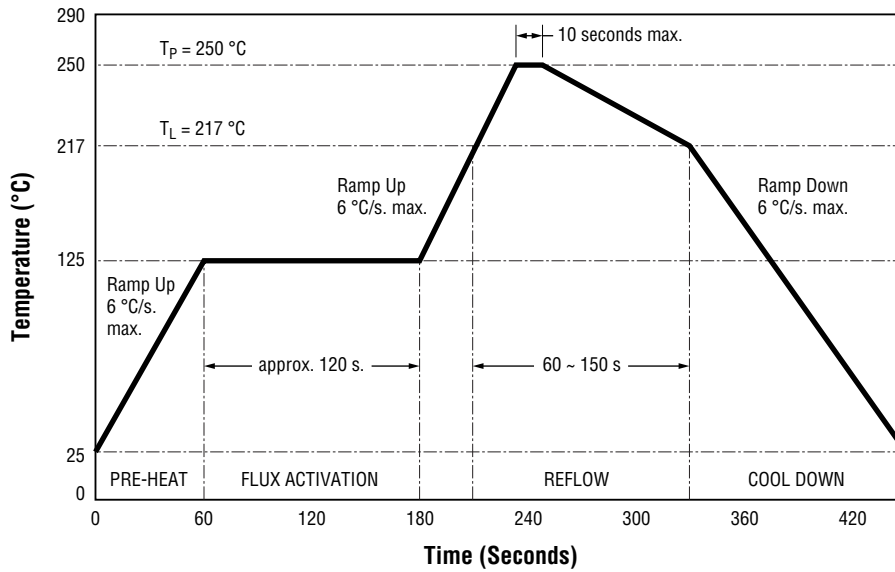
Electrical Schematic



WARNING
Cancer and Reproductive Harm
www.P65Warnings.ca.gov

*RoHS Directive 2015/863, Mar 31, 2015 and Annex. Specifications are subject to change without notice. Users should verify actual device performance in their specific applications. The products described herein and this document are subject to specific legal disclaimers as set forth on the last page of this document, and at www.bourns.com/docs/legal/disclaimer.pdf.

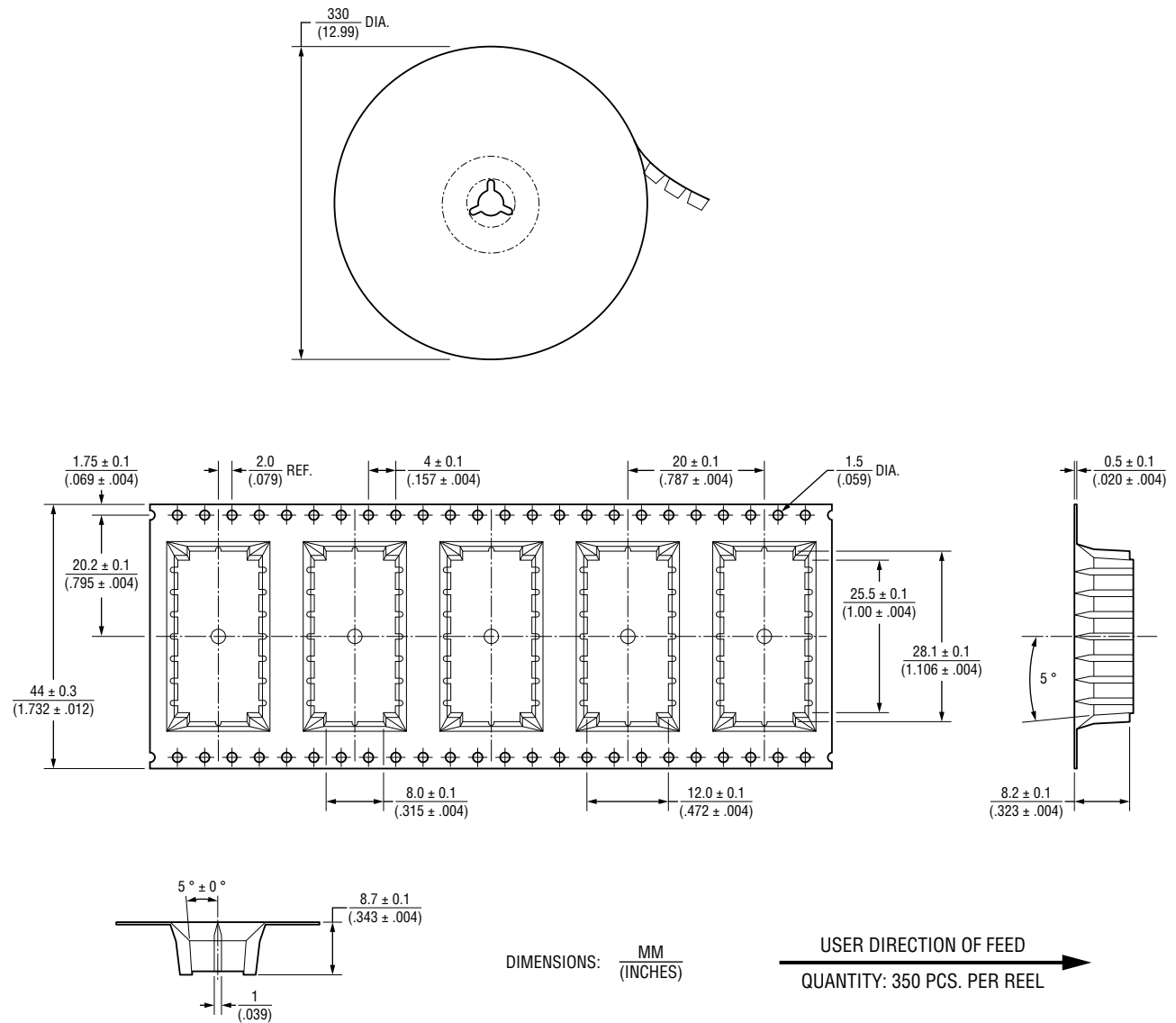
Soldering Profile



SM13143EL - 10/100/1000 Base-T Transformer

BOURNS®

Packaging Specifications



BOURNS®

Asia-Pacific: Tel: +886-2 2562-4117 • Email: asiacus@bourns.com

EMEA: Tel: +36 88 885 877 • Email: eurocus@bourns.com

The Americas: Tel: +1-951 781-5500 • Email: americus@bourns.com

www.bourns.com

11/21

Specifications are subject to change without notice.

Users should verify actual device performance in their specific applications.

The products described herein and this document are subject to specific legal disclaimers as set forth on the last page of this document, and at www.bourns.com/docs/legal/disclaimer.pdf.