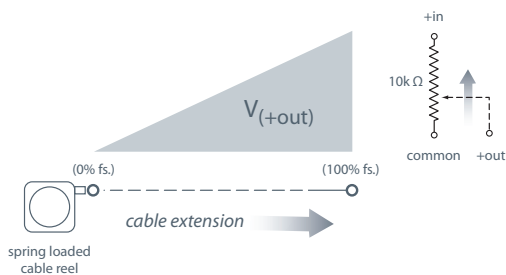


Just like the SM1, the SM2 is the perfect sensing solution when tight space is an issue. With its rugged compact design, handy mounting bracket and a 40-inch electrical cable for easy signal connection, the SM2 is the perfect solution for the OEM and single piece users alike.

At just a little over an inch across, this miniature stringpot offers full stroke measurement ranges from 2½ to 25 inches. A precision plastic hybrid 10K-ohm potentiometer delivers a voltage divider output signal that is linearly proportional to the travel of the spring-loaded measuring cable.

### Output Signal:



# SM2

**Linear Position to 25 inches (635 mm)**

**Fits In Tight Spaces • Handy Mounting Bracket**

**Polycarbonate Enclosure • Free Release Tolerant**

**In Stock for Quick Delivery!**

### SPECIFICATIONS

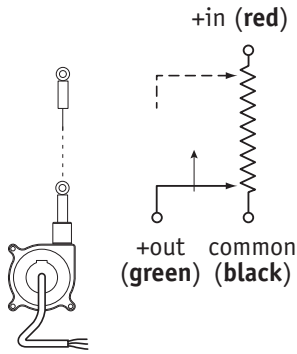
<b>Available Stroke Ranges</b>	2.375, 7.5, 12.5, 25 inches
<b>Output Signal</b>	voltage divider (potentiometric)
<b>Accuracy</b>	.25% to 1% FS. (see ordering info)
<b>Repeatability</b>	.05% FS.
<b>Resolution</b>	essentially infinite
<b>Measuring Cable</b>	.014-inch dia. nylon-coated stainless steel
<b>Maximum Acceleration</b>	15 g (retraction)
<b>Measuring Cable Tension</b>	5.1 oz. (1.4 N) ±30%
<b>Sensor</b>	plastic-hybrid precision potentiometer
<b>Input Resistance</b>	10K ohms, ±10%
<b>Power Rating, Watts</b>	2.0 at 70°F derated to 0 at 250°
<b>Maximum Input Voltage</b>	30 V (AC/DC)
<b>Sensitivity</b>	940 ± 40 mV/V FS
<b>Cycle Life</b>	see ordering information
<b>Electrical Connection</b>	40 inch (1 m), 24 ga. shielded 3-conductor cable
<b>Enclosure</b>	glass-filled polycarbonate
<b>Environmental</b>	IP 50
<b>Operating Temperature</b>	0° to 160° F (-18° to 70° C)
<b>Weight (not including bracket)</b>	3 oz (90 g)

### ORDERING INFORMATION

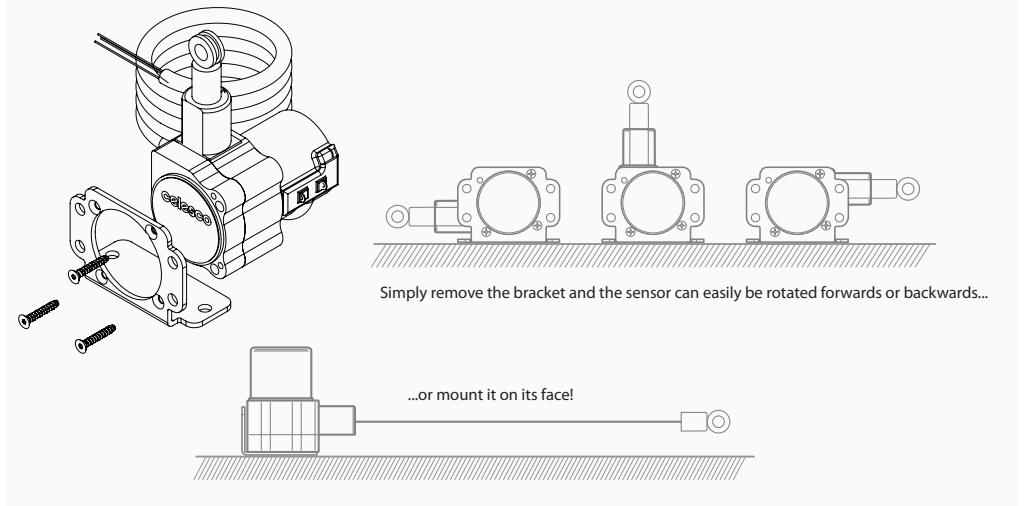
Order No.	full stroke range	accuracy (% of f.s.)	cycle life
<b>SM2-2</b>	2.375 in (60 mm)	1.00%	2.5M cycles
<b>SM2-7</b>	7.5 in (191 mm)	0.25%	500K cycles
<b>SM2-12</b>	12.5 in (318 mm)	0.25%	500K cycles
<b>SM2-25</b>	25 in (635 mm)	0.25%	250K cycles

includes sensor & mounting bracket.

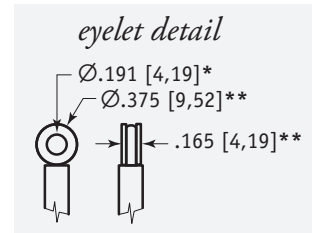
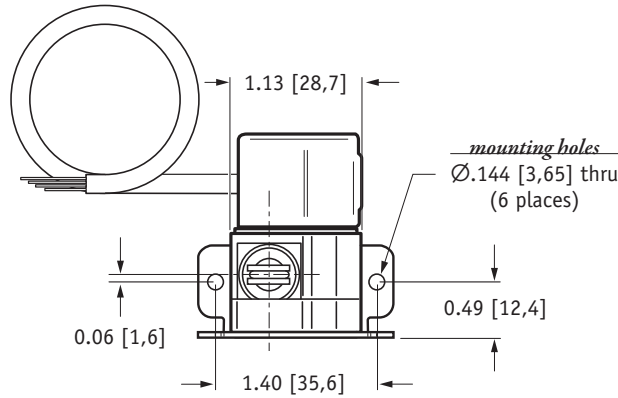
**Electrical Connection:**



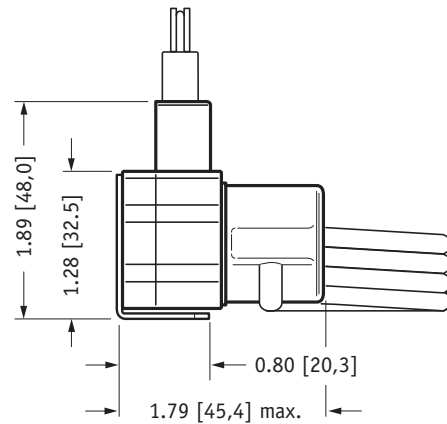
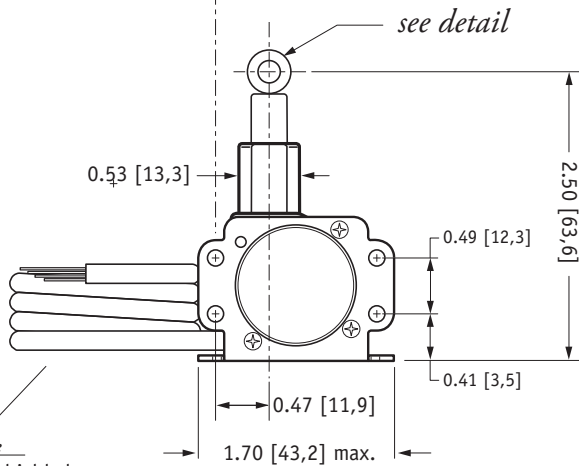
**Mounting Options:**



**Outline Drawing (w/bracket):**



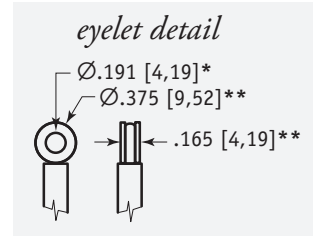
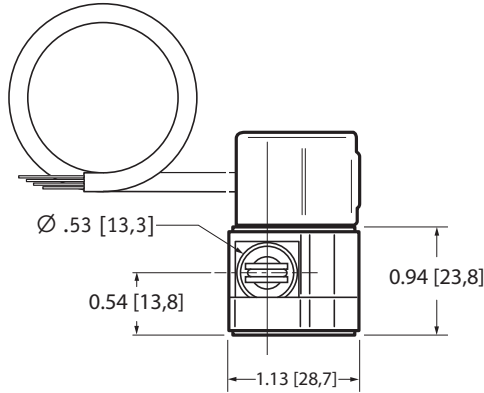
\*tolerance = +.005 -.001 [+.13 -.03]  
 \*\*tolerance = +.005 -.005 [+.13 -.13]



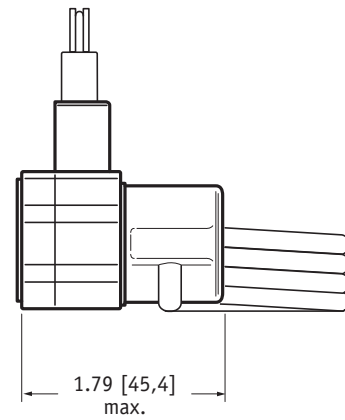
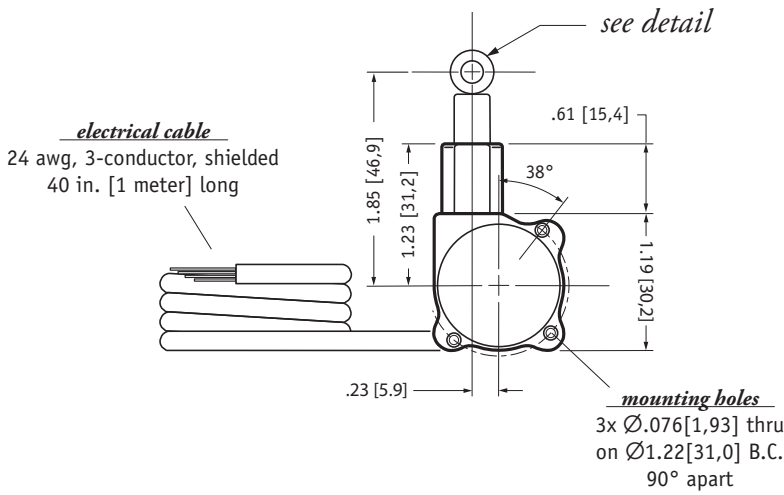
electrical cable  
 24 GA, 3-conductor, shielded  
 40 in. [1 meter] long

INCHES [MM]

**Outline Drawing (w/o bracket):**



\*tolerance = +.005 -.001 [+.13 -.03]  
 \*\*tolerance = +.005 -.005 [+.13 -.13]



INCHES [MM]

**Mounting Option Details:**

