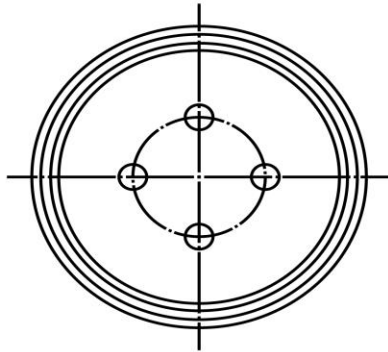
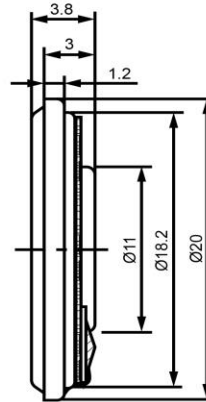


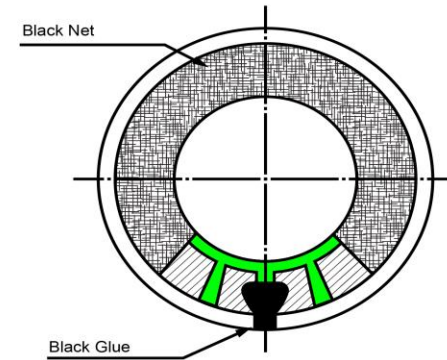
TOP VIEW



SIDE VIEW



BOTTOM VIEW



Specifications

Description	Value	Unit
Shape	Round	
Resonant Frequency	780	(Hz)
Frequency Range	780 ~ 5,000	(Hz)
SPL @ 10cm	87	(dBA)
Impedance	7	(Ohm)
Cone Material	Polyetherimide	
Nominal Power	0.2	(W)
Max Power	0.4	(W)
Mount Type	Flush Mount	
Operating Temperature	-35 ~ +85	°C
Storage Temperature	-35 ~ +85	°C
Weight	3	(g)

Notes

- 1) All dimensions are in mm unless otherwise noted
- 2) All parts meet RoHS



Revision History

Version	Description	Date	Approved		
1	Released from Engineering	2/5/2014	J.S.		
Drawn by	Date	Checked by	Date	Approved by	Date
G.W.	1/27/2014	C.E.	2/4/2014	J.S.	2/5/2014

High Temp Dynamic Speaker

SM200707-1

Additional considerations can be found at [www.dbunlimitedco.com/technical-articles](http://www.dbunlimitedco.com/technical-articles).