

MINI-BEAM® AC Voltage Series Sensor



Datasheet

Self-contained photoelectric sensors



- 24 to 240 V AC with solid-state outputs
- Signal strength or output indicator
- 2 m or 9 m integral cable, Micro-style quick-disconnect fitting
- 18 mm threaded lens mount on some models



WARNING:

- **Do not use this device for personnel protection**
- Using this device for personnel protection could result in serious injury or death.
- This device does not include the self-checking redundant circuitry necessary to allow its use in personnel safety applications. A device failure or malfunction can cause either an energized (on) or de-energized (off) output condition.

Models

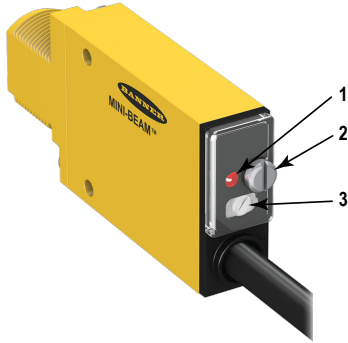
Model ¹	Sensing Mode	Range	LED
SMA31E	Opposed Emitter	3 m (10 ft)	Infrared, 880 nm
SM2A31R	Opposed Receiver		
SMA31EL	Opposed Emitter - Long Range	30 m (100 ft)	
SM2A31RL	Opposed Receiver - Long Range		
SMA31EPD	Opposed Emitter Clear Plastic Detection	0 to 300 mm (0 to 12 in)	Visible red, 650 nm
SM2A31RPD	Opposed Receiver Clear Plastic Detection	Actual range varies, depending upon the light transmission properties of the plastic material being sensed.	
SM2A312LV	Non-Polarized Retroreflective	5 m (15 ft)	
SM2A312LVAG	Polarized Retroreflective	50 mm to 2 m (2 in to 7 ft)	
SM2A312LP	Extended-Range Polarized Retroreflective	10 mm to 3 m (0.4 in to 10 ft)	
SM2A312D	Diffuse	380 mm (15 in)	
SM2A312DBZ		300 mm (12 in)	
SM2A312W		Divergent Diffuse	130 mm (5 in)
SM2A312C	Convergent	16 mm (0.65 in) Focus	Infrared, 880 nm
SM2A312C2		43 mm (1.7 in) Focus	Visible red, 650 nm
SM2A312CV		16 mm (0.65in) Focus	
SM2A312CV2		43 mm (1.7 in) Focus	Visible green, 560 nm
SM2A312CVG		16 mm (0.65 in) Focus	
SM2A312F		Glass Fiber Optic	Range varies, depending on sensing mode and fiber optics used.
SM2A312FV	Visible red, 650 nm		
SM2A312FP			

¹ Standard 2 m (6.5 ft) cable models are listed.

- To order the 9 m (30 ft) cable model, add the suffix "W/30" (for example, SMA31E W/30).
- To order the 3-pin Micro-style QD model, add the suffix "QD" (for example, SMA31EQD).



Overview



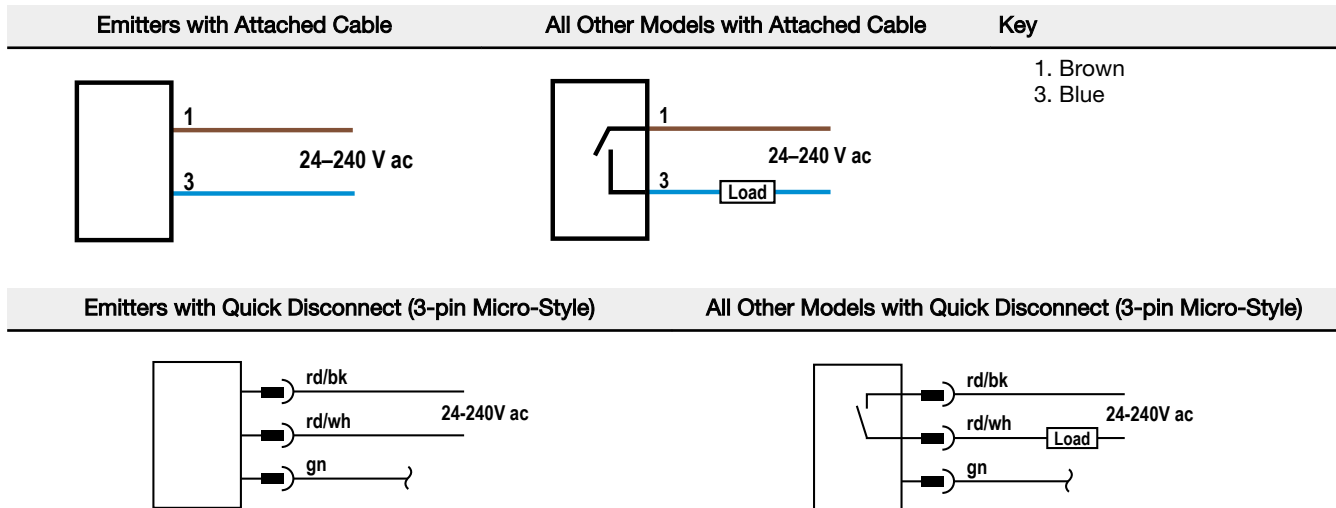
1. Adjustment Indicator Device (AID)
2. Gain (sensitivity) adjustment screw
3. Light/dark operate select switch

Adjust clockwise for light operate (outputs conduct when sensing light is received) and counterclockwise for dark operate (outputs conduct when sensing light is not received).

Installation Instructions

Wiring Diagrams

The output type for all models is SPST solid-state 2-wire.



Mount the Device

1. If a bracket is needed, mount the device onto the bracket.
2. Mount the device (or the device and the bracket) to the machine or equipment at the desired location. Do not tighten the mounting screws at this time.
3. Check the device alignment.
4. Tighten the mounting screws to secure the device (or the device and the bracket) in the aligned position.

Sensor Alignment



Note: Follow proper electronic shock discharge (ESD) precautions when adjusting the Gain potentiometer or the LO/DO switch.

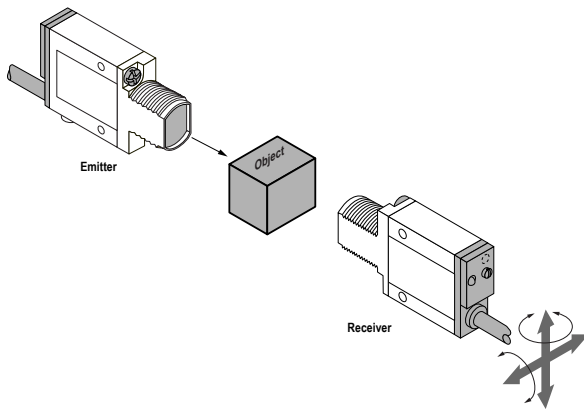


Note: When turning the Light/Dark Operate Select switch, be careful not to damage the small tabs on the switch.

1. Using line-of-sight, position the MINI-BEAM sensor to its emitter (opposed-mode sensing) or to its target (all other sensing modes).
 When using a retroreflective sensor, the target is the retroreflector ("retro target"). For diffuse or convergent sensing modes, the target is the object to be detected.

2. Apply power to the sensor (and to the emitter, if using the opposed mode).
3. Using a small, flat-blade screwdriver, turn the 15-turn Gain control to maximum (the clockwise end of rotation).
The Gain control is clutched at both ends to avoid damage, and will “free-wheel” when either endpoint is reached.
If the MINI-BEAM sensor is receiving its light signal, the red LED Alignment indicator is ON and flashing at a rate proportional to the signal strength (a faster flash rate = more signal).
4. Move the sensor (or move the retro target, if applicable) up-down-right-left, including angular rotation, to find the center of the movement zone within which the LED indicator remains ON.
Reducing the Gain setting reduces the size of the movement zone and enables more precise alignment.
5. Repeat the alignment motions after each Gain reduction.
6. When optimum alignment is achieved, mount the sensor, and the emitter or retro target, if applicable, securely in that position.
7. Increase the Gain to maximum.
8. Test the sensor by placing the object to be detected in the sensing position, then removing it.
The Alignment indicator LED turns ON when the sensing beam is established (Light condition), and turns OFF when the beam is broken (Dark condition). If the Alignment indicator LED stays ON for both sensing conditions, see the following tips for each sensing mode.

Opposed Mode Alignment



Flooding occurs when a portion of the sensing beam passes around the object to be sensed. *Burn-through* occurs when a portion of the emitter’s light energy passes through a thin or translucent object, and is sensed by the receiver.

To correct either problem, do one or more of the following to reduce the light energy:

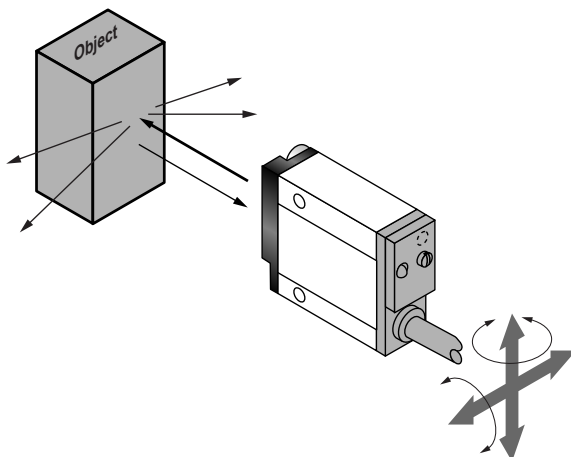
- Reduce the Gain adjustment on the receiver
- Add an aperture to one or both lenses (MINI-BEAM apertures, available from Banner, fit neatly inside the lens assembly)
- Intentionally misalign the emitter and receiver



Note:

- Light condition: sensor output is ON when there is no object in the beam
- Dark condition: sensor output is ON when there is an object in the beam

Diffuse Mode Alignment



If the Alignment LED does not go OFF when the object is removed from the beam, the sensor is probably detecting light reflected from some background object. To remedy this problem:

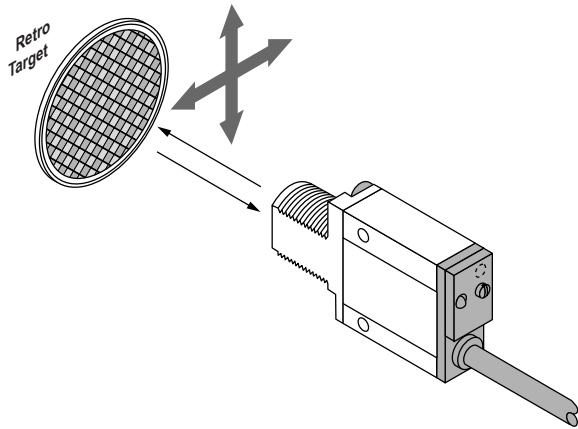
- Reduce the reflectivity of the background by painting the surface(s) flat-black, scuffing any shiny surface, or drilling a large hole, directly opposite the diffuse sensor
- Move the sensor closer to the object to be detected and reduce the Gain adjustment. Rule of thumb for diffuse sensing: The distance to the nearest background object should be at least three times the sensing distance



Note:

- Light condition: sensor output is ON when there is no object in the beam
- Dark condition: sensor output is ON when there is an object in the beam

Retroreflective Mode Alignment



A highly reflective object may reflect enough light back to a retroreflective sensor to allow that object to slip through the beam, without being detected. This problem is called *proxing*, and the following methods may be used to correct it:

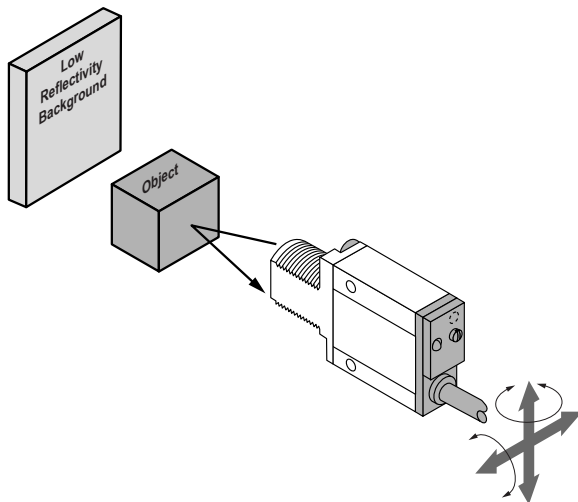
- Position the sensor and retro target so the beam will not strike a shiny surface perpendicular to the sensor lens
- Reduce the Gain adjustment
- Add a polarizing filter (for model SM2A312LV)



Note:

- Light condition: sensor output is ON when there is no object in the beam
- Dark condition: sensor output is ON when there is an object in the beam

Convergent Mode Alignment



The sensing energy of a convergent mode sensor is concentrated at the specified focus point. Convergent mode sensors are less sensitive to background reflections, compared with diffuse mode sensors. However, if background reflections are a problem:

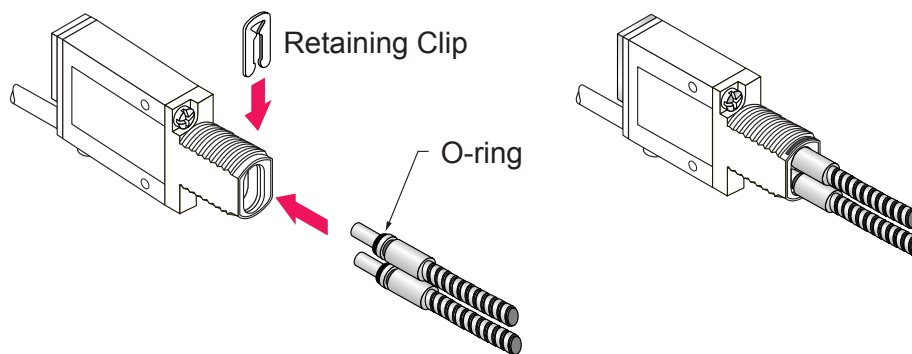
- Skew the sensor position at a 10° to 25° angle to eliminate direct reflections from shiny background surfaces
- Reduce the reflectivity of the background by painting the surface(s) flat-black, scuffing any shiny surface, or drilling a large hole, directly opposite the sensor
- Reduce the Gain adjustment



Note:

- Light condition: sensor output is ON when there is no object in the beam
- Dark condition: sensor output is ON when there is an object in the beam

Installing the Glass Fibers in MINI-BEAMs



1. Install the O-ring (supplied with the fiber) on each fiber end, as shown in the drawing.
2. While pressing the fiber ends firmly into the ports on the sensor front, slide the U-shaped retaining clip (supplied with the sensor) into the slot in the sensor's barrel, until it snaps into place.

Installing Plastic Fibers on a MINI-BEAM

Follow these instructions to install plastic fibers into your sensor. MINI-BEAMS may have either a fiber gripper or a clamp screw. **MINI-BEAM** and **ECONO-BEAM** sensors for use with plastic fiber optic assemblies include sensors with the letters **FP** in their model number.

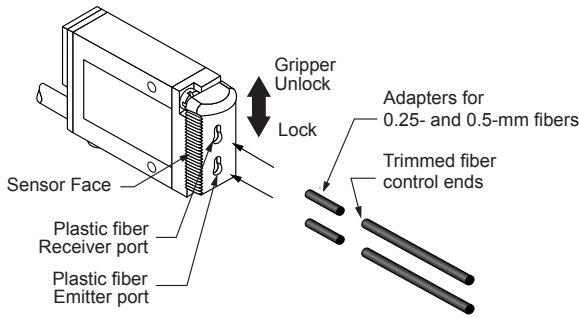


Figure 1. MINI-BEAM with fiber grippers

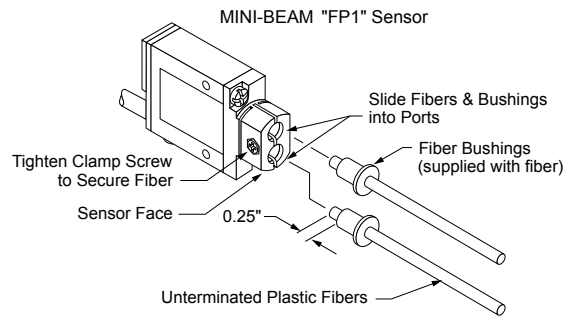


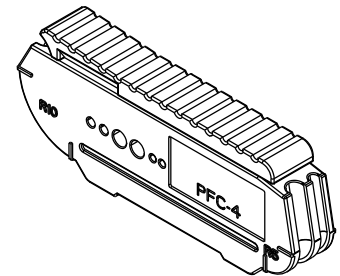
Figure 2. MINI-BEAM with clamp screws

1. Prepare the sensor ends of the fibers (see [Cut the Plastic Fiber](#) on p. 5).
2. Prepare the sensor for the fibers.
 - For models with a fiber gripper: Unlock the fiber gripper as shown in the figure and apply the appropriate fiber adaptors to the fiber, if needed.
 - For models with a clamp screw: Loosen the clamp screw on the sensor face.
3. Insert the plastic fibers.
 - For models with a fiber gripper: Gently insert the prepared fiber ends into the ports as far as they will go.
 - For models with a clamp screw: Align the fiber ends flush with the ends of the bushings as shown. Hold the bushings to the fibers and slide both into the sensor ports. Push the fiber an additional 1 inch through the bushing.
4. Lock in the fibers.
 - For models with a fiber gripper: Slide the fiber gripper back to lock, as shown in the figure.
 - For models with a clamp screw: Tighten the clamp screw to secure the fibers.

Cut the Plastic Fiber

An unterminated plastic fiber is designed to be cut by the customer to the length required for the application. To facilitate cutting, a Banner model PFC-4 cutting device is supplied with this fiber.

1. Locate the non-terminated end, and determine the length of fiber required for the application.
2. Lift the top of the cutter to open the cutting ports.
3. Insert the non-terminated end through one of the four large cutting ports on the PFC-4 cutter so that the excess fiber protrudes from the back of the cutter.
4. Double-check the fiber length, and close the cutter until the fiber is cut.
5. Gently wipe the cut ends of the fiber with a clean, dry cloth to remove any contamination.



Note: Do not use solvents or abrasives on any exposed optical fiber. Do not use a cutting port more than once. The blade may tend to dull after one cut.

Specifications

Supply Voltage and Current

24 to 240 V AC (50/60 Hz), 250 V AC maximum

Supply Protection Circuitry

Protected against transient voltages

Output Configuration

SPST SCR solid-state relay with either normally closed or normally open contact (light/dark operate selectable); 2-wire wiring

Output Rating

Minimum load current 5 mA; maximum steady-state load capability 300 mA to 50 °C ambient (122 °F) 100 mA to 70 °C ambient (158 °F)
 Inrush capability: 3 amps for 1 second (non repetitive); 10 amps for 1 cycle (non repetitive)
 OFF-state leakage current: less than 1.7 mA rms
 ON-state voltage drop: ≤ 5 V at 300 mA load, ≤ 10 V at 15 mA load

Output Protection Circuitry

Protected against false pulse on power-up

Output Response Time

Opposed: 2 millisecond on and 1 millisecond off
 Non-Polarized and Polarized Retro, Convergent, and Plastic Fiber Optic: 4 milliseconds on and off
 Diffuse and Glass Fiber Optic: 8 milliseconds on and off
 OFF response time specification does not include load response of up to 1/2 ac cycle (8.3 milliseconds). Response time specification of load should be considered when important.



Note: 300 millisecond delay on power-up.

Operating Conditions

-20 °C to +70 °C (-4 °F to +158 °F)
 90% at +50 °C maximum relative humidity (non-condensing)

Environmental Rating

Meets NEMA standards 1, 2, 3, 3S, 4, 4X, 6, 12, and 13; IEC IP67

Certifications



Repeatability

Opposed: 0.3 milliseconds
 Non-Polarized and Polarized Retro, Convergent, and Plastic Fiber Optic: 1.3 milliseconds
 Diffuse and Glass Fiber Optic: 2.6 milliseconds
 Response time and repeatability specifications are independent of signal strength.

Indicators

Red indicator LED on rear of sensor is ON when the load is energized

Construction

Reinforced thermoplastic polyester housing, totally encapsulated, o-ring sealing, acrylic lenses, stainless steel screws

Connections

PVC-jacketed 2-conductor 2 m (6.5 ft) or 9 m (30 ft) cables, or 3-pin Micro-style QD fitting; QD cables available separately

Application Notes

Overload conditions can destroy ac MINI-BEAM sensors. Directly wiring sensor without load series, across hot and neutral will damage sensor (except emitter models).
 Low-voltage use requires careful analysis of the load to determine if the sensor's leakage current or on-state voltage will interfere with proper operation of the load.
 The false-pulse protection feature may cause momentary drop-out of the load when the sensor is wired in series or parallel with mechanical switch contacts.

Required Overcurrent Protection

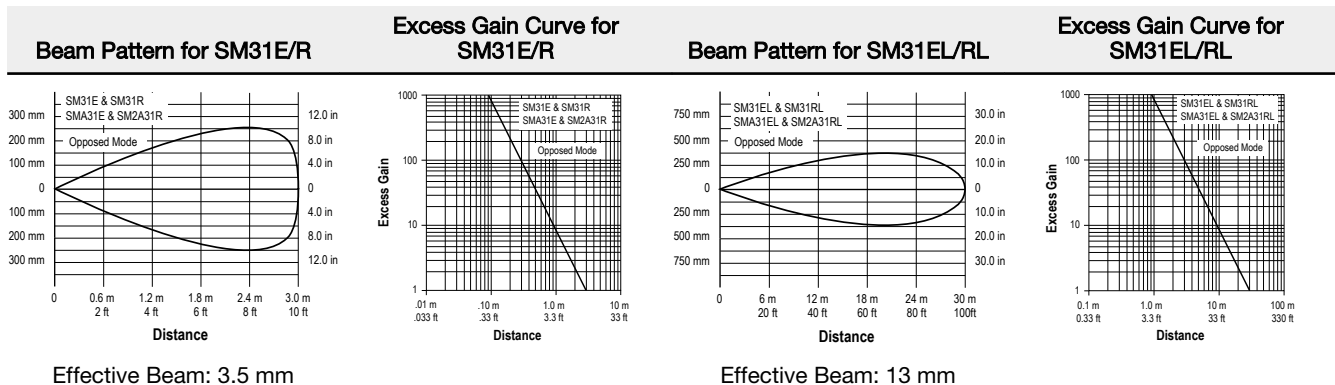


WARNING: Electrical connections must be made by qualified personnel in accordance with local and national electrical codes and regulations.

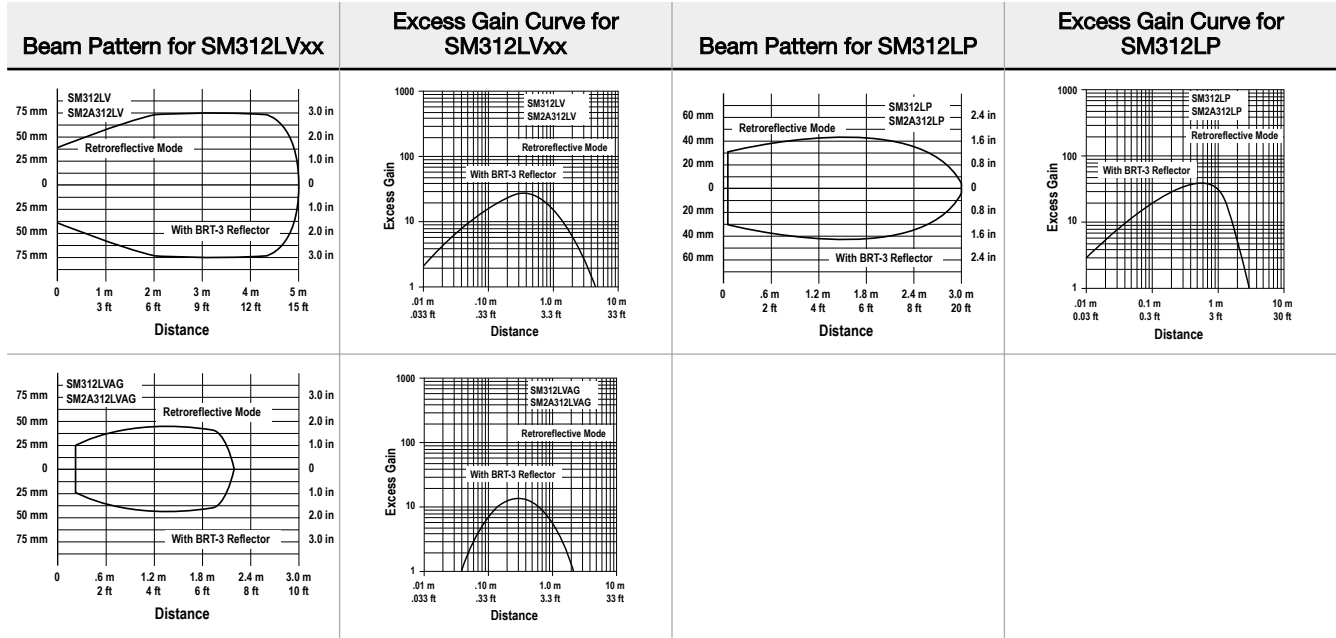
Overcurrent protection is required to be provided by end product application per the supplied table.
 Overcurrent protection may be provided with external fusing or via Current Limiting, Class 2 Power Supply.
 Supply wiring leads < 24 AWG shall not be spliced.
 For additional product support, go to www.bannerengineering.com.

Supply Wiring (AWG)	Required Overcurrent Protection (Amps)
20	5.0
22	3.0
24	2.0
26	1.0
28	0.8
30	0.5

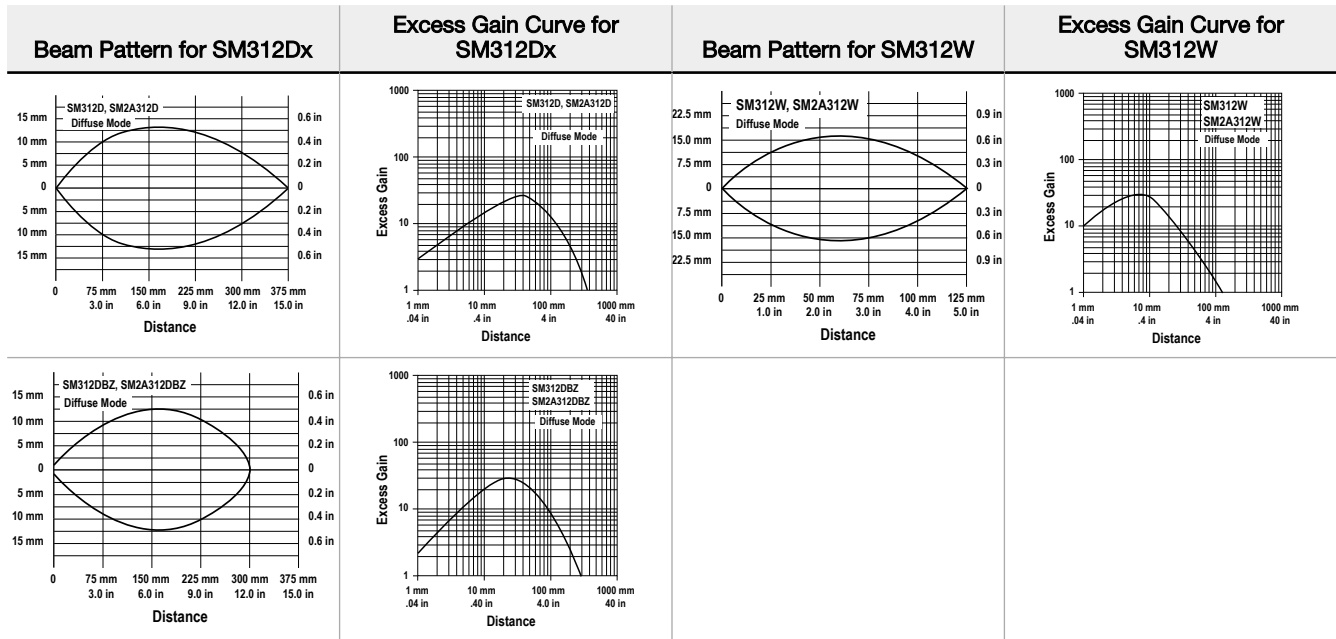
Performance Curves for SM31Ex Emitter and SM31Rx Receiver Models



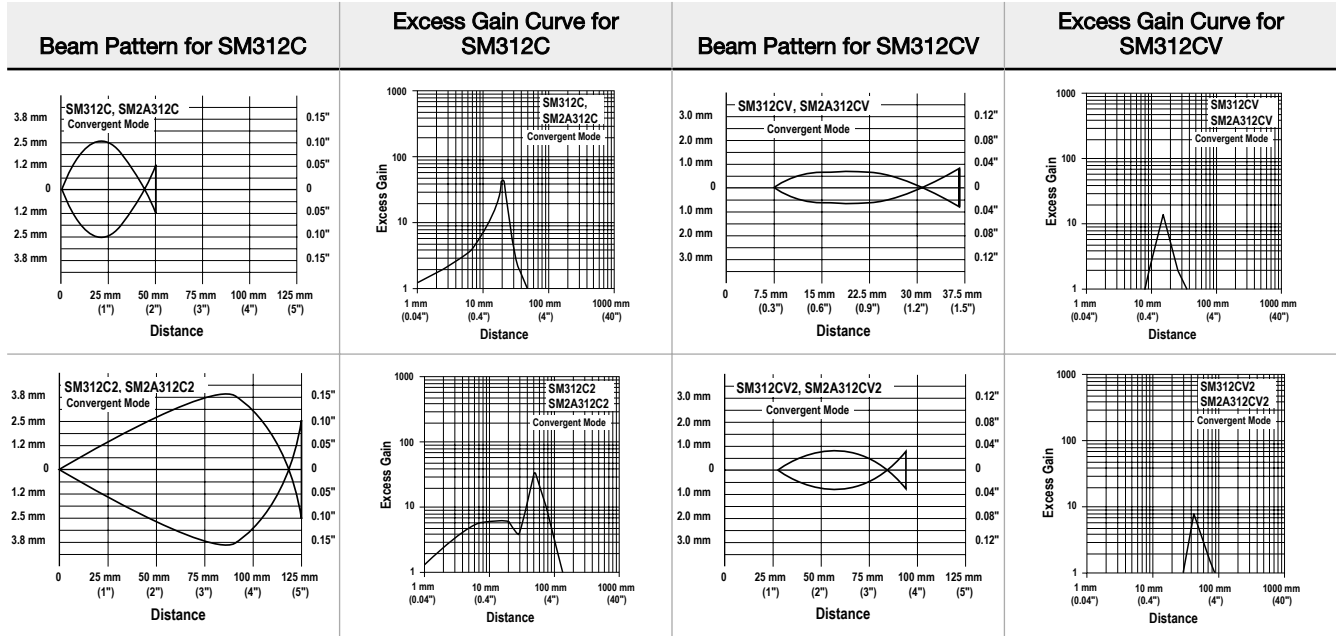
Performance Curves for the SM312Lx Retroreflective Models



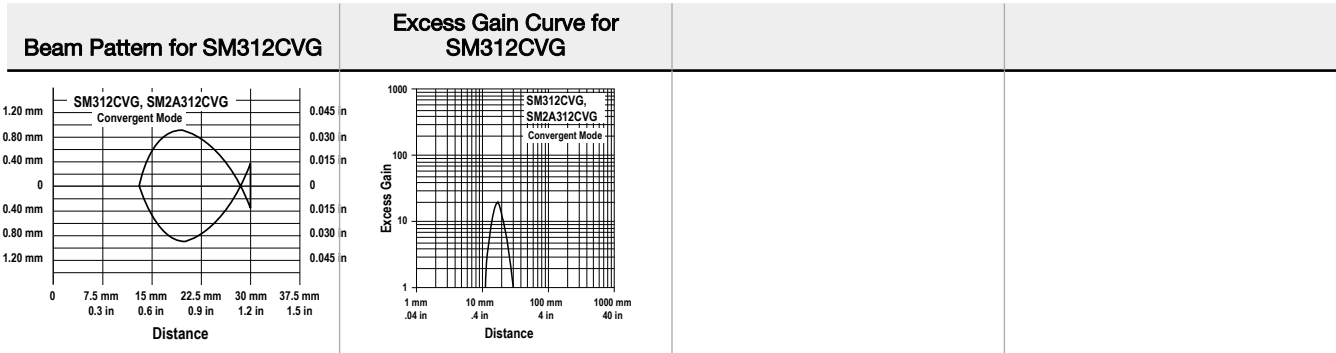
Performance Curves for the SM312Dx and SM312W Diffuse Models



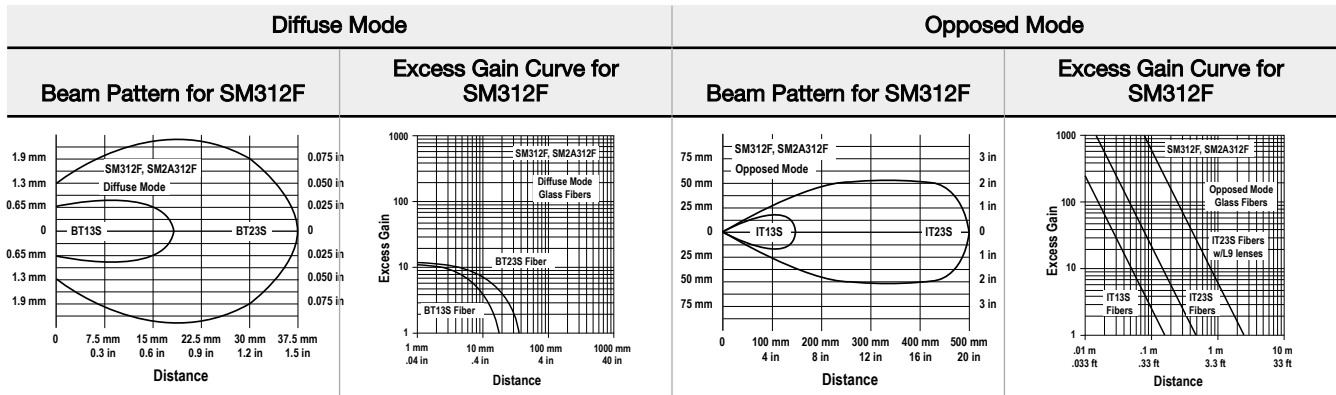
Performance Curves for the SM312Cx Convergent Models

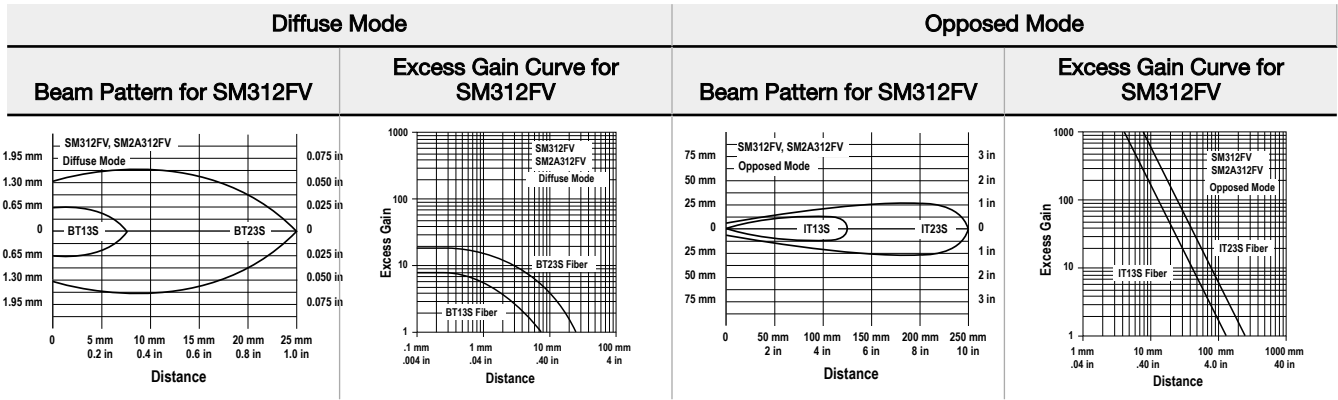


Performance is based on a 90% reflectance white test card.

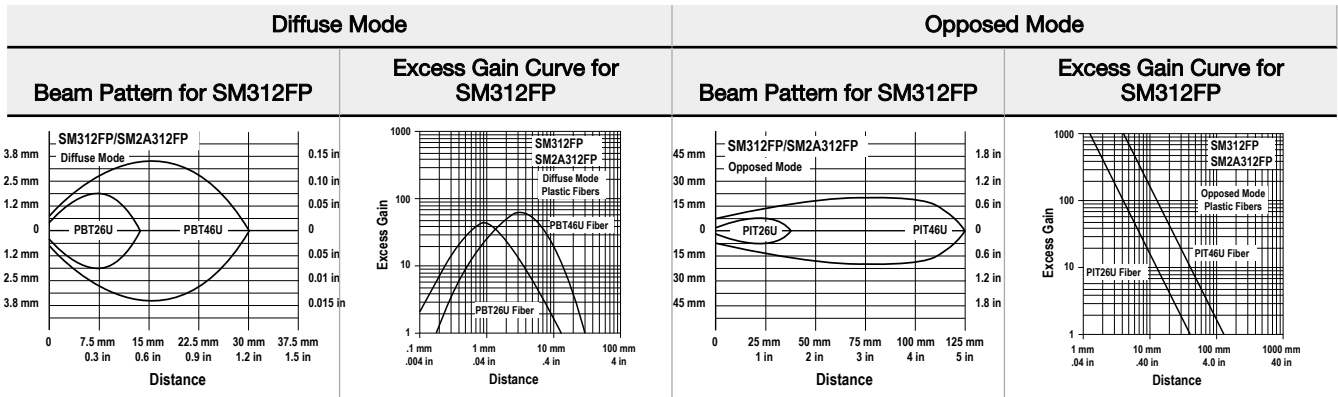


Performance Curves for the SM312F Glass Fiber Optic Models

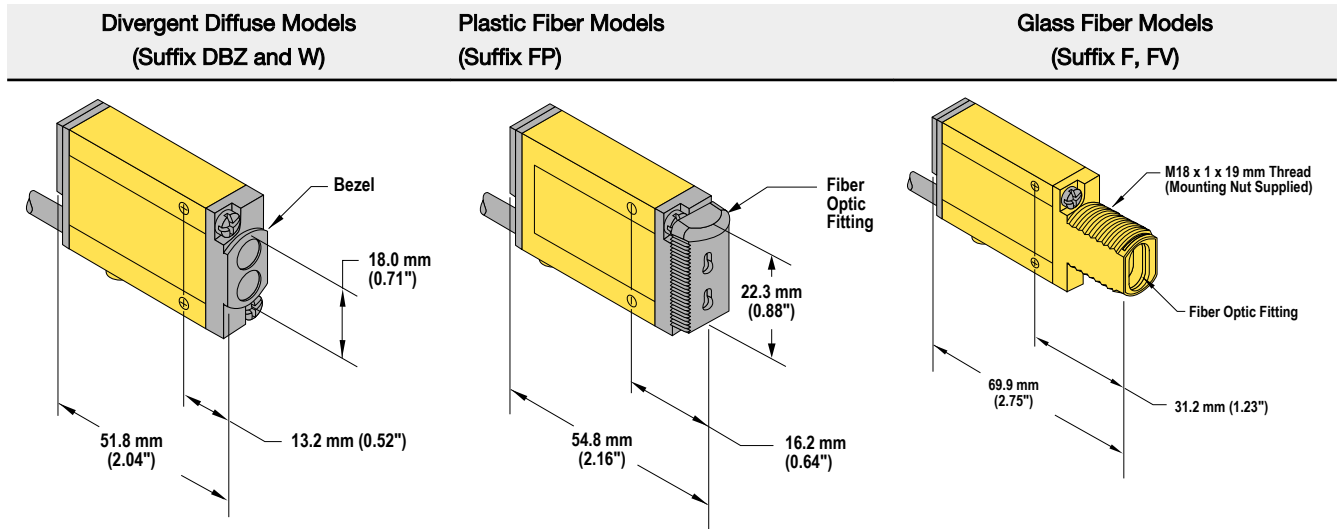




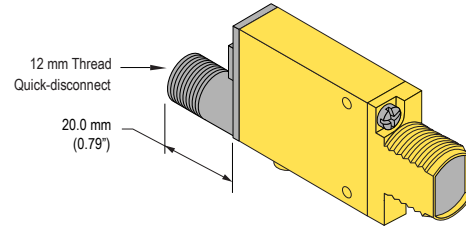
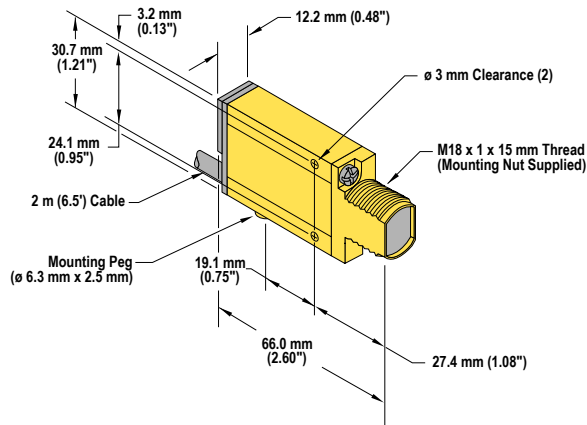
Performance Curves for the SM312FP Plastic Fiber Models



Dimensions



Cabled Models (Suffix E, EL, EPD, R, RL, RPD, LV, LVAG, LP, D, C, C2, CV, CV2, and CVG)	QD Models
---	------------------



Accessories

Quick Disconnect Cordsets — AC Sensors

3-Pin Micro-Style Cordsets				
Model	Length	Style	Dimensions	Pinout (Female)
MQDC-306	2 m (6.56 ft)	Straight		
MQDC-315	5 m (16.40 ft)			
MQDC-330	9 m (29.53 ft)			
MQDC-306RA	1.83 m (6 ft)	Right-Angle		
MQDC-315RA	4.57 m (15 ft)			
MQDC-330RA	9.14 m (30 ft)			

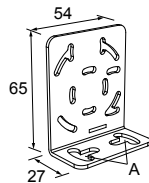
Mounting Brackets

SMB46L

- Right-angle
- L bracket
- 14-ga. 316 stainless steel

Hole center spacing: A = 16.0

Hole size: A = 16.5 x 18.7

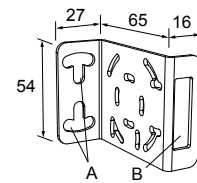


SMB46S

- Right-angle
- S bracket
- 14-ga. 316 stainless steel

Hole center spacing: A = 16.0

Hole size: A = 16.5 x 18.7, B = 34.0 x 10.0

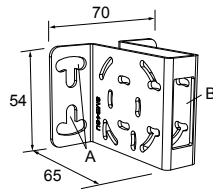


SMB46U

- Right-angle
- U bracket for sensor protection
- 14-ga. 316 stainless steel

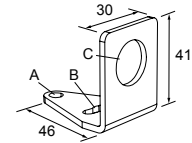
Hole center spacing: A = 16.0

Hole size: A = 16.5 × 18.7, B = 34.0 × 13.0



SMB18A

- Right-angle mounting bracket with a curved slot for versatile orientation
- 12-ga. stainless steel
- 18 mm sensor mounting hole
- Clearance for M4 (#8) hardware

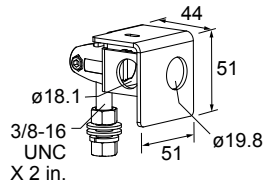


Hole center spacing: A to B = 24.2

Hole size: A = \varnothing 4.6, B = 17.0 × 4.6, C = \varnothing 18.5

SMB18AFA.

- Protective, swivel bracket with tilt and pan movement for precision adjustment
- Easy sensor mounting to extruded rail T-slots
- Metric and inch size bolts available
- Mounting hole for 18 mm sensors

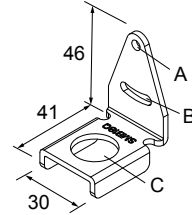


Hole size: B = \varnothing 18.1

Model	Bolt Thread (A)
SMB18AFA	3/8 - 16 × 2 in
SMB18AFAM10	M10 - 1.5 × 50

SMB18Q

- Right-angle flanged bracket
- 18 mm sensor mounting hole
- 12-ga. stainless steel

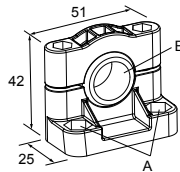


Hole center spacing: A to B = 24.2

Hole size: A = \varnothing 4.6, B = 17.0 × 4.6, C = \varnothing 19.0

SMB18SF

- 18 mm swivel bracket with M18 × 1 internal thread
- Black thermoplastic polyester
- Stainless steel swivel locking hardware included

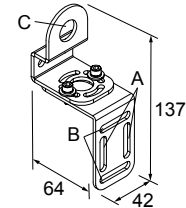


Hole center spacing: A = 36.0

Hole size: A = \varnothing 5.3, B = \varnothing 18.0

SMB18UR

- 2-piece universal swivel bracket
- 300 series stainless steel
- Stainless steel swivel locking hardware included
- Mounting hole for 18 mm sensor

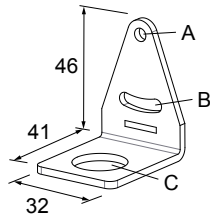


Hole center spacing: A = 25.4, B = 46.7

Hole size: B = 6.9 × 32.0, C = \varnothing 18.3

SMB312PD

- Right-angle mounting bracket with a curved slot for versatile orientation
- 12-ga. stainless steel
- 18 mm sensor mounting hole
- Clearance for M4 (#8) hardware



Hole center spacing: A to B = 24.2

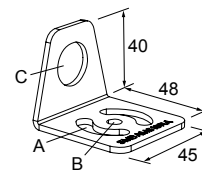
Hole size: A = \varnothing 4.6, B = 17 × 4.6, C = \varnothing 18.5



Note: Not for use with plastic fiber optic sensors

SMBAMS18RA

- Right-angle SMBAMS series bracket with 18 mm hole
- Articulation slots for 90+° rotation
- 12-ga. (2.6 mm) cold-rolled steel

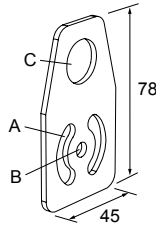


Hole center spacing: A = 26.0, A to B = 13.0

Hole size: A = 26.8 × 7.0, B = \varnothing 6.5, C = \varnothing 19.0

SMBAMS18P

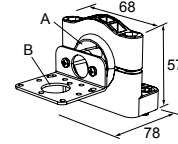
- Flat SMBAMS series bracket with 18 mm hole
- Articulation slots for 90+° rotation
- 12-ga. (2.6 mm) cold-rolled steel



Hole center spacing: A = 26.0, A to B = 13.0
Hole size: A = 26.8 × 7.0, B = ø 6.5, C = ø 19.0

SMB30SK

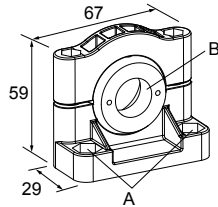
- Flat-mount swivel bracket with extended range of motion
- Black reinforced thermoplastic polyester and 316 stainless steel
- Stainless steel swivel locking hardware included



Hole center spacing: A = 50.8
Hole size: A = ø 7, B = ø 18

SMB3018SC

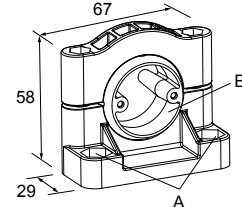
- 18 mm swivel side or barrel-mount bracket
- Black reinforced thermoplastic polyester
- Stainless steel swivel locking hardware included



Hole center spacing: A = 50.8
Hole size: A = ø 7.0, B = ø 18.0

SMB30SUS

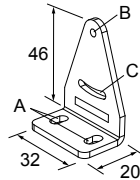
- Side-mount swivel with extended range of motion
- Black reinforced thermoplastic polyester
- Stainless steel swivel locking hardware included



Hole center spacing: A = 50.8, B = 24.1
Hole size: A = ø 7, B = ø 7.6

SMB312S

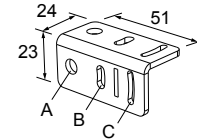
- Stainless steel 2-axis, side-mount bracket



A = 4.3 × 7.5, B = diam. 3, C = 3 × 15.3

SMB312B

- Stainless steel 2-axis, bottom-mount bracket
- Includes mounting foot



A = diam. 6.9, B = 4.3 × 10.5, C = 3.1 × 15.2

Miscellaneous Accessories and Replacement Parts

MINI-BEAM lens assemblies are field-replaceable.

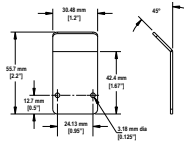
Replacement Lens Model	Replacement Lens for MINI-BEAM Model	Possible Sensing Mode or Range Changes	
UC-300AG	LVAG	LV to LVAG	
UC-300BZ	W and DBZ	D to DBZ and F to DBZ	
UC-300C..7	C, CV, and CVG	CV2 to CV	
UC-300C2	C2 and CV2	CV to CV2	
UC-300E	E and R	-	
UC-300EL	EL and RL	Extends the range of the E/R models	
UC-300EPD	EPD	-	
UC-300F	F and FV	D to F and DBZ to F	
UC-300FP	FP (old style)	-	
UC-300FP2	FP	-	
UC-300L	LV and D	F to D, LVAG to LV, and DBZ to D	
UC-300LP	LP	-	
UC-300RPD	RPD	-	

MINI-BEAM right-angle reflectors are useful for tight sensing locations. These reflectors significantly decrease excess gain.

Right-Angle Reflectors

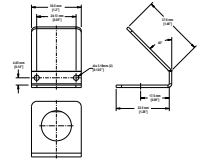
RAR300SM

- Side mount right-angle reflector
- Profile dimension of 14 mm (0.56 inches) in the direction of the scan
- Use with MINI-BEAM models 31E, EL, R, RL; and 312D, DBZ, LV, W



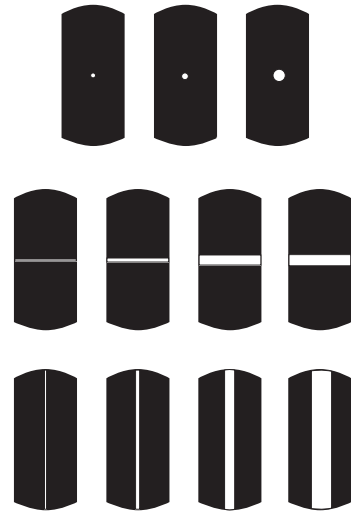
RAR300FM

- Front mount right-angle reflector that attaches directly to the threaded barrel of most MINI-BEAMs
- Profile dimension of 34 mm (1.35 inches) in the direction of the scan
- Use with MINI-BEAM models 31E, EL, R, RL; and 312D, LV



Opposed-mode MINI-BEAM sensors may be fitted with apertures that narrow or shape the effective beam of the sensor to more closely match the size or profile of the object to be sensed, for example, the use of “line” (or “slit”) apertures for sensing wire or thread. Each model contains 20 apertures.

MINI-BEAM Opposed-Mode Aperture Kits		
Model	Description	Qty
Circular		
AP31-020	0.5 mm dia.	20
AP31-040	1.0 mm dia.	20
AP31-100	2.5 mm dia.	20
Horizontal Slot		
AP31-020H	0.5 x 6.4 mm	20
AP31-040H	1.0 x 6.4 mm	20
AP31-100H	2.5 x 6.4 mm	20
AP31-200H	5.1 x 6.4 mm	20
Vertical Slot		
AP31-020V	0.5 x 12.7 mm	20
AP31-040V	1.0 x 12.7 mm	20
AP31-100V	2.5 x 12.7 mm	20
AP31-200V	5.1 x 12.7 mm	20
Kit		
AP31-DVHX2	2 of each aperture	2



Aperture	Range (Standard Group I and II Sensor Pairs)				Range (Group I Sensor Pairs with UC-300EL Upper Covers Substituted)	
	Aperture on Both Emitter and Received		Aperture on Receiver Only		Aperture on Both Emitter and Received	Aperture on Receiver Only
	Group I Sensors	Group II Sensors	Group I Sensors	Group II Sensors		
AP31-020	89 mm	102 mm	457 mm	1.5 m	127 mm	914 mm
AP31-040	330 mm	457 mm	940 mm	3.2 m	183 mm	2 m
AP31-100	1.5 m	3 m	2.5 m	8.2 m	2.1 m	5.8 m
AP31-020H	406 mm	1.8 m	965 mm	9.1 m	864 mm	3.4 m
AP31-040H	914 mm	4 m	1.8 m	12.5 m	1.8 m	5.2 m
AP31-100H	2.3 m	10.4 m	2.9 m	20.7 m	5.2 m	8.5 m
AP31-200H	2.8 m	21.3 m	3 m	24.4 m	8.2 m	11 m
AP31-020V	457 mm	1.7 m	1 m	8.2 m	1 m	3.4 m
AP31-040V	1 m	5.5 m	1.8 m	15.8 m	2.1 m	5.5 m
AP31-100V	2.3 m	10.7 m	2.9 m	22.9 m	6.1 m	8.5 m
AP31-200V	2.8 m	22.9 m	3 m	25.9 m	8.5 m	11 m

GROUP I Emitter/ Receiver Pairs (see Range): SMA31E/SM2A31R

GROUP II Emitter/ Receiver Pairs (see Range): SMA31EL/SM2A31RL