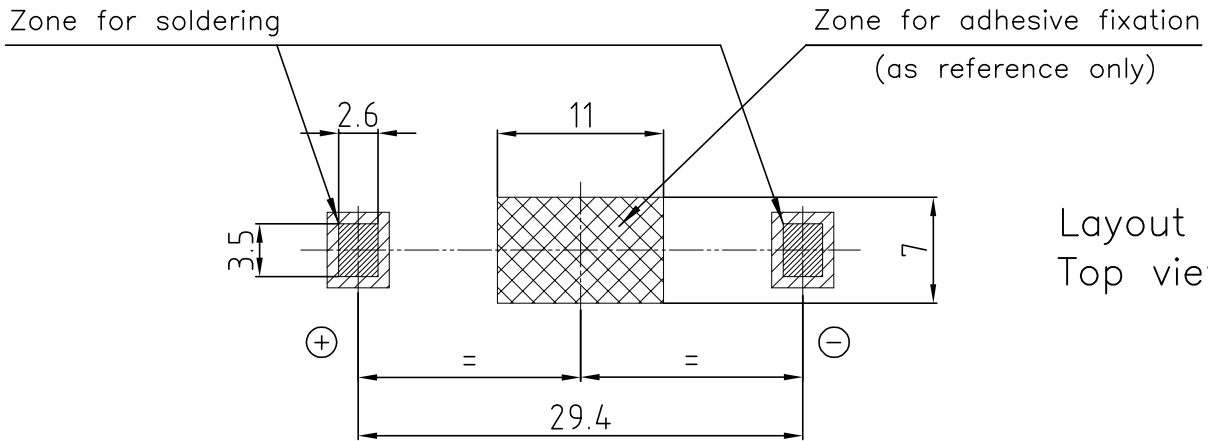
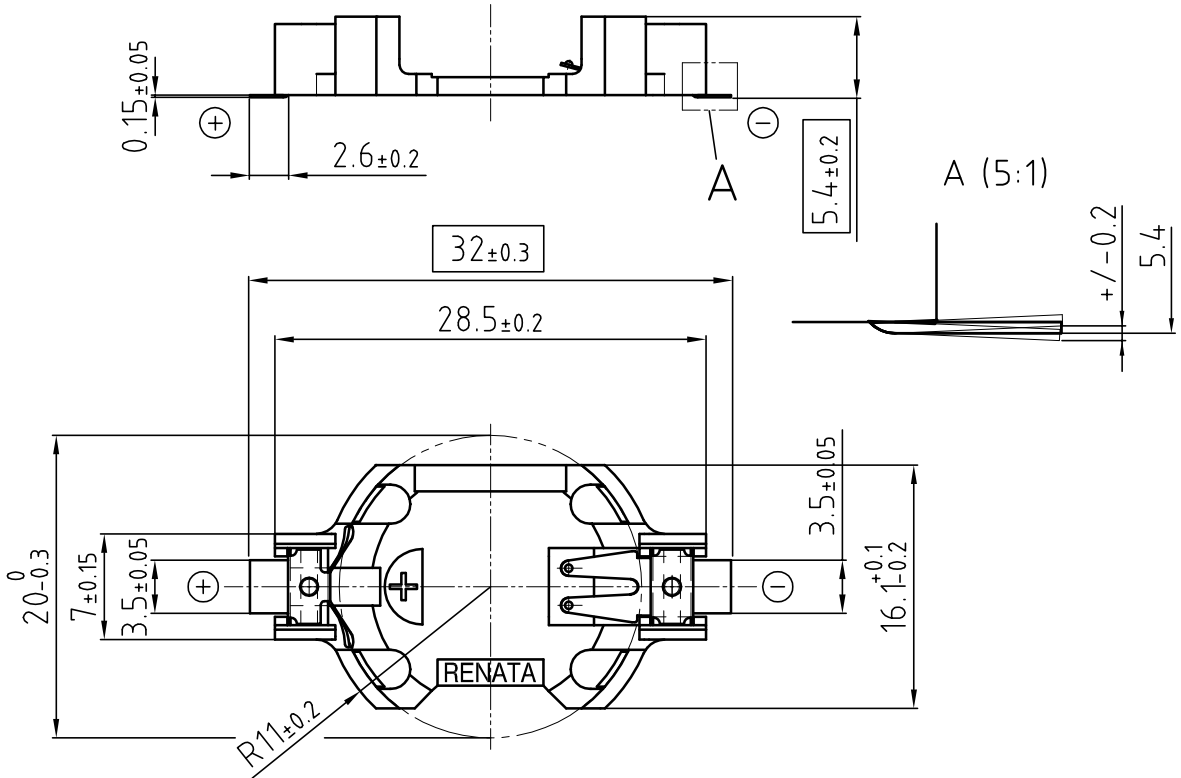


Art.-Number: 701113



- Samples can deviate in the execution from the serie.

- Dimensions and tolerances can be specified only after the testing of the devices for the mass production definitely

Holder material : heat resistant, glass-fiber reinforced LCP

Battery contacts : spring stainless steel 301 nickel plated throughout

Solder contacts : spring stainless steel 301 solder area tin-plated throughout, min. thickness  $5\mu$

All framed values will be used for dimension checking !

Rev. ①	25.09.07	MCi	Rev. ○				Customer's Approval		
Rev. ②	24.10.07	SRi	Rev. ○				Date		
Rev. ③	15.09.10	Wu Ping	Rev. ○				Signature		
Titel:						Scale 2:1	Drawn	25.01.05	SRi
SM2X2016-LF							Checked	16.09.10	SRi
							Approved		

**renata**  
batteries

CH-4452 Itingen  
Switzerland

3.8757.4-3