

MINI-BEAM® DC Voltage Series Sensor



Datasheet

Self-contained photoelectric sensors



- 10 to 30 V DC with bipolar NPN/PNP outputs
- Signal strength or output indicator
- 2 m or 9 m integral cable, or Euro-style quick-disconnect fitting
- 18 mm threaded lens mount on some models



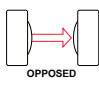
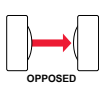
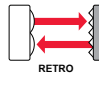

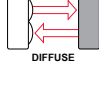
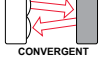
WARNING:

- **Do not use this device for personnel protection**
- Using this device for personnel protection could result in serious injury or death.
- This device does not include the self-checking redundant circuitry necessary to allow its use in personnel safety applications. A device failure or malfunction can cause either an energized (on) or de-energized (off) output condition.

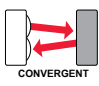
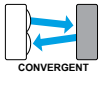
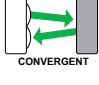
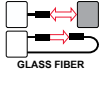
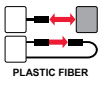
Models

Integral 2 m (6.5 ft) unterminated cable models are listed.

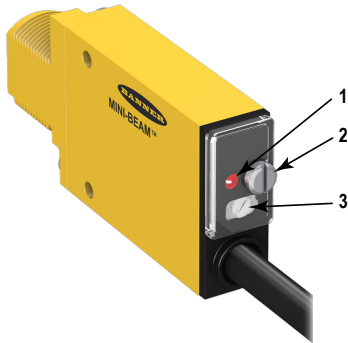
- To order the 9 m (30 ft) PVC cable model, add the suffix "W/30" to the cabled model number. For example, SM31EW/30.
- To order the 4-pin M12/Euro-style QD models, add the suffix "QD" to the model number. For example, SM31EQD.
- To order the 150 mm (6 in) cable with QD, add the suffix "QDP" to the model number. For example, SM31EQDP.
- To order a 0.3 ms response time model, add the suffix "MHS" to the model number. For example, SM31EMHS.

| Sensing Mode | Range | LED | Model | |
|--|--|--|-----------------------|----------|
|  OPPOSED | Opposed Emitter | Infrared, 880 nm | SM31E | |
| | Opposed Receiver | | SM31R | |
| | Opposed Emitter - Long Range | | SM31EL | |
| | Opposed Receiver - Long Range | | SM31RL | |
|  OPPOSED | Opposed Emitter - Clear Plastic Detection | 0 to 300 mm (0 to 12 in) Actual range varies, depending on the light transmission properties of the plastic material being sensed. | SM31EPD | |
| | Opposed Receiver - Clear Plastic Detection | | SM31RPD | |
|  RETRO | Non-Polarized Retroreflective | Visible red, 650 nm | SM312LV | |
|  POLAR RETRO | Polarized Retroreflective | | SM312LVAG | |
| | Extended-Range Polarized Retroreflective | | SM312LP | |
|  DIFFUSE | Diffuse | Infrared, 880 nm | SM312D | |
| | | | 300 mm (12 in) | SM312DBZ |
|  CONVERGENT | Divergent Diffuse | | SM312W | |
| | Convergent | | 16 mm (0.65 in) Focus | SM312C |
| | | | 43 mm (1.7 in) Focus | SM312C2 |
| | | | | |



| Sensing Mode | Range | LED | Model | |
|--|---|--|-----------------------|-----------|
|  CONVERGENT | 16 mm (0.65 in) Focus | Visible red, 650 nm | SM312CV | |
| | 43 mm (1.7 in) Focus | | SM312CV2 | |
| |  CONVERGENT | 16 mm (0.65 in) Focus | Visible blue, 475 nm | SM312CVB |
| | | 49 mm (1.9 in) Focus | | SM312CV2B |
| |  CONVERGENT | 16 mm (0.65 in) Focus | Visible green, 525 nm | SM312CVG |
| | | 49 mm (1.9 in) Focus | | SM312CV2G |
|  GLASS FIBER | Glass Fiber Optic | Range varies, depending on sensing mode and fiber optics used. | Infrared, 880 nm | SM312F |
| | | | Visible red, 650 nm | SM312FV |
| | | | Visible blue, 475 nm | SM312FVB |
| | | | Visible green, 525 nm | SM312FVG |
|  PLASTIC FIBER | Plastic Fiber Optic | Range varies, depending on sensing mode and fiber optics used. | Visible red, 650 nm | SM312FP |
| | | | Visible blue, 475 nm | SM312FPB |
| | | | Visible green, 525 nm | SM312FPG |
| Special High-Power Option Plastic Fiber Optic | | | Visible red, 650 nm | SM312FPH |

Overview

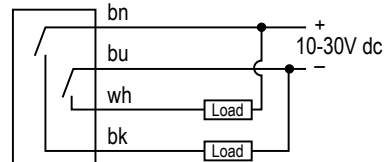
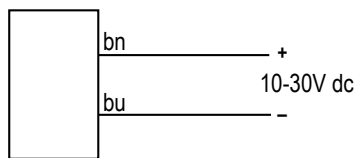


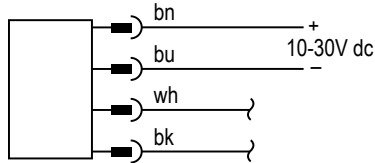
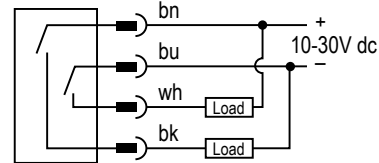
1. Adjustment Indicator Device (AID)
2. Gain (sensitivity) adjustment screw
3. Light/dark operate select switch

Adjust clockwise for light operate (outputs conduct when sensing light is received) and counterclockwise for dark operate (outputs conduct when sensing light is not received).

Wiring Diagrams

| Emitters with Attached Cable | All Other Models with Attached Cable |
|------------------------------|--------------------------------------|
|------------------------------|--------------------------------------|



Emitters with Quick Disconnect (4-pin Euro-Style)**All Other Models with Quick Disconnect (4-pin Euro-Style)**

The output type for all models is Bipolar NPN/PNP; load 150 mA max., each output.

Sensor Mounting and Alignment

MINI-BEAM sensors perform most reliably if they are properly aligned and securely mounted.

For maximum mechanical stability, mount MINI-BEAM sensors through 18 mm diameter holes by their threaded barrel (where available), or use a mounting bracket. A complete selection of mounting brackets is available. Visit <http://www.bannerengineering.com> or contact Banner Engineering for information on mounting options.

Begin with line-of-sight positioning of the MINI-BEAM sensor to its emitter (opposed-mode sensing) or to its target (all other sensing modes). When using a retroreflective sensor, the target is the retroreflector ("retro target"). For diffuse or convergent sensing modes, the target is the object to be detected.

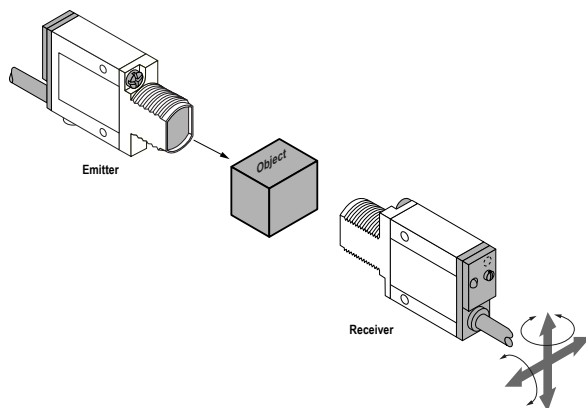
Apply power to the sensor (and to the emitter, if using the opposed mode). Advance the 15-turn Gain control to maximum (clockwise end of rotation) using a small flat-blade screwdriver. The Gain control is clutched at both ends to avoid damage and will "free-wheel" when either endpoint is reached.

If the MINI-BEAM sensor is receiving its light signal, the red LED Alignment indicator will be ON and flashing at a rate proportional to the signal strength (faster = more signal). Move the sensor (or retro target, if applicable) up-down-right-left (including angular rotation) to find the center of the movement zone within which the LED indicator remains ON. Reducing the Gain setting reduces the size of the movement zone for more precise alignment.

Repeat the alignment motions after each Gain reduction. When optimum alignment is achieved, mount sensor(s) (and the retro target, if applicable) solidly in that position. Increase the Gain to maximum.

Test the sensor by placing the object to be detected in the sensing position, then removing it. The Alignment indicator LED should come ON when the sensing beam is established (Light condition) or be ON when the beam is broken (Dark condition). If the Alignment indicator LED stays ON for both sensing conditions, consider the following tips for each sensing mode.

Opposed Mode Alignment



Flooding occurs when a portion of the sensing beam passes around the object to be sensed. *Burn-through* occurs when a portion of the emitter's light energy passes through a thin or translucent object, and is sensed by the receiver.

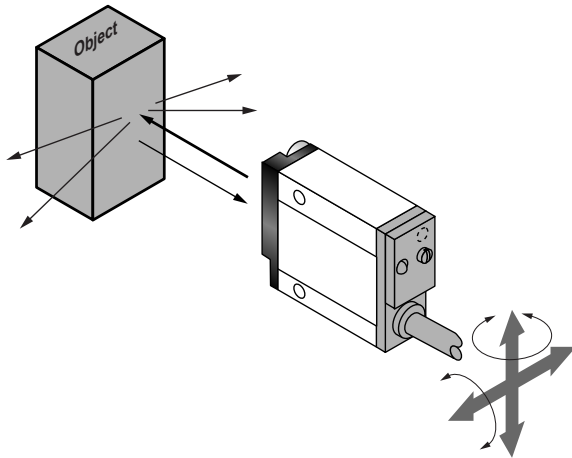
To correct either problem, do one or more of the following to reduce the light energy:

- Reduce the Gain adjustment on the receiver
- Add an aperture to one or both lenses (MINI-BEAM apertures, available from Banner, fit neatly inside the lens assembly)
- Intentionally misalign the emitter and receiver

**Note:**

- Light condition: sensor output is ON when there is no object in the beam
- Dark condition: sensor output is ON when there is an object in the beam

Diffuse Mode Alignment



If the Alignment LED does not turn OFF when the object is removed from the beam, the sensor is probably detecting light reflected from some background object. To remedy this problem:

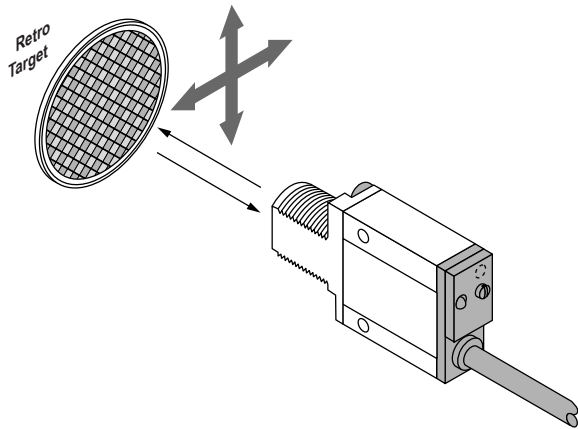
- Reduce the reflectivity of the background by painting the surface(s) flat-black, scuffing any shiny surface, or drilling a large hole, directly opposite the diffuse sensor
- Move the sensor closer to the object to be detected and reduce the Gain adjustment. Rule of thumb for diffuse sensing: The distance to the nearest background object should be at least three times the sensing distance



Note:

- Light condition: sensor output is ON when there is no object in the beam
- Dark condition: sensor output is ON when there is an object in the beam

Retroreflective Mode Alignment



A highly reflective object may reflect enough light back to a retroreflective sensor to allow that object to slip through the beam, without being detected. This problem is called *proxing*, and the following methods may be used to correct it:

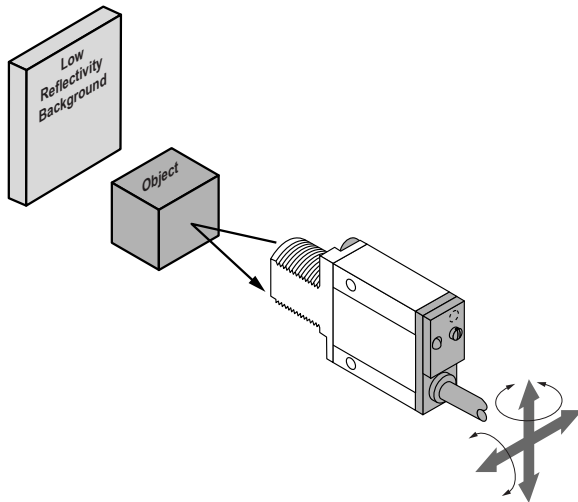
- Position the sensor and retro target so the beam will not strike a shiny surface perpendicular to the sensor lens
- Reduce the Gain adjustment
- Add a polarizing filter (for model SM312LV)



Note:

- Light condition: sensor output is ON when there is no object in the beam
- Dark condition: sensor output is ON when there is an object in the beam

Convergent Mode Alignment



The sensing energy of a convergent mode sensor is concentrated at the specified focus point. Convergent mode sensors are less sensitive to background reflections, compared with diffuse mode sensors. However, if background reflections are a problem:

- Skew the sensor position at a 10° to 25° angle to eliminate direct reflections from shiny background surfaces
- Reduce the reflectivity of the background by painting the surface(s) flat-black, scuffing any shiny surface, or drilling a large hole, directly opposite the sensor
- Reduce the Gain adjustment



Note:

- Light condition: sensor output is ON when there is no object in the beam
- Dark condition: sensor output is ON when there is an object in the beam

Installing Plastic Fibers on a MINI-BEAM

Follow these instructions to install plastic fibers into your sensor. MINI-BEAMS may have either a fiber gripper or a clamp screw. **MINI-BEAM** and **ECONO-BEAM** sensors for use with plastic fiber optic assemblies include sensors with the letters **FP** in their model number.

Figure 1. MINI-BEAM with fiber grippers

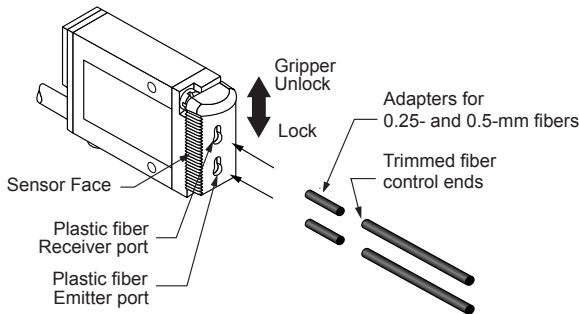
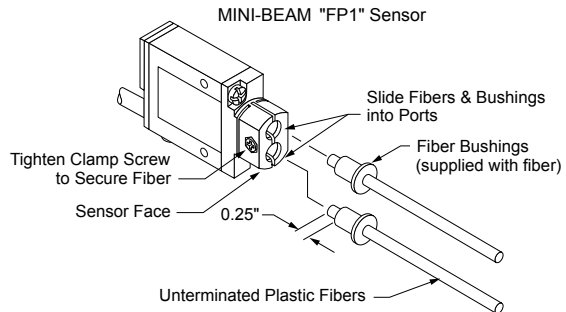


Figure 2. MINI-BEAM with clamp screws

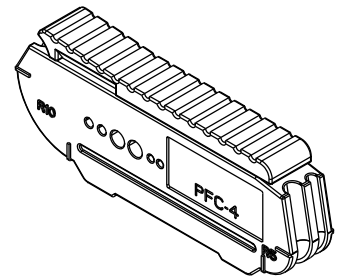


1. Prepare the sensor ends of the fibers (see [Cut the Plastic Fiber](#) on page 5).
2. Prepare the sensor for the fibers.
 - For models with a fiber gripper: Unlock the fiber gripper as shown in the figure and apply the appropriate fiber adapters to the fiber, if needed.
 - For models with a clamp screw: Loosen the clamp screw on the sensor face.
3. Insert the plastic fibers.
 - For models with a fiber gripper: Gently insert the prepared fiber ends into the ports as far as they will go.
 - For models with a clamp screw: Align the fiber ends flush with the ends of the bushings as shown. Hold the bushings to the fibers and slide both into the sensor ports. Push the fiber an additional 1 inch through the bushing.
4. Lock in the fibers.
 - For models with a fiber gripper: Slide the fiber gripper back to lock, as shown in the figure.
 - For models with a clamp screw: Tighten the clamp screw to secure the fibers.

Cut the Plastic Fiber

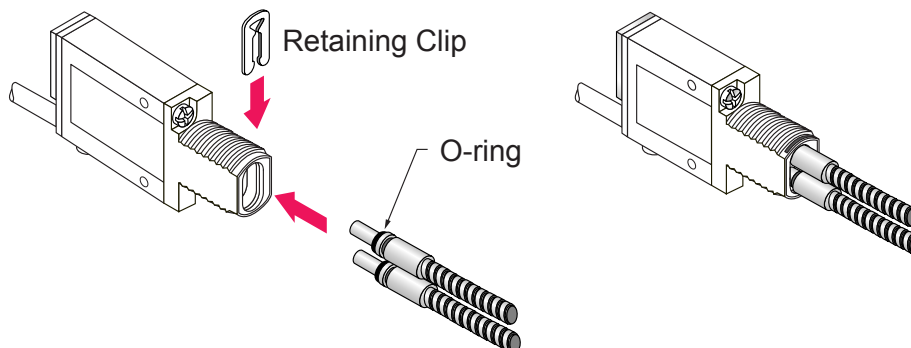
An unterminated plastic fiber is designed to be cut by the customer to the length required for the application. To facilitate cutting, a Banner model PFC-4 cutting device is supplied with this fiber.

1. Locate the non-terminated end, and determine the length of fiber required for the application.
2. Lift the top of the cutter to open the cutting ports.
3. Insert the non-terminated end through one of the four large cutting ports on the PFC-4 cutter so that the excess fiber protrudes from the back of the cutter.
4. Double-check the fiber length, and close the cutter until the fiber is cut.
5. Gently wipe the cut ends of the fiber with a clean, dry cloth to remove any contamination.



Note: Do not use solvents or abrasives on any exposed optical fiber. Do not use a cutting port more than once. The blade may tend to dull after one cut.

Installing the Glass Fibers in MINI-BEAMS



1. Install the O-ring (supplied with the fiber) on each fiber end, as shown in the drawing.
2. While pressing the fiber ends firmly into the ports on the sensor front, slide the U-shaped retaining clip (supplied with the sensor) into the slot in the sensor's barrel, until it snaps into place.

Specifications

Supply Voltage and Current

10 to 30 V DC (10% maximum ripple) at less than 25 mA (exclusive of load)

Supply Protection Circuitry

Protected against reverse polarity and transient voltages

Output Configuration

Bipolar: One current sourcing (PNP) and one current sinking (NPN) open collector transistor

Output Rating

150 mA maximum each output at 25 °C, derated to 100 mA at 70 °C (derate \approx 1 mA per °C)
 OFF State Leakage Current: less than 1 microamp
 Output Saturation Voltage (PNP Output): less than 1 V at 10 mA, less than 2 V at 150 mA
 Output Saturation Voltage (NPN Output): less than 200 millivolts at 10 mA, less than 1 V at 150 mA

Output Protection Circuitry

Protected against false pulse on power-up and continuous overload or short-circuit of outputs

Output Response Time

Sensors will respond to either a "light" or "dark" signal of 1 millisecond or longer duration, 500 Hz maximum. Modification for 0.3 millisecond response is available (MHS-suffix models; these models also feature reduced sensitivity range and reduced repeatability.)



Note: Outputs are non-conducting during 100 millisecond delay on power-up.

Repeatability

Opposed: 0.14 milliseconds
 Non-Polarized and Polarized Retro, Diffuse, Convergent, Glass Fiber Optic, and Plastic Fiber Optic: 0.3 milliseconds

Response time and repeatability specifications are independent of signal strength.

Adjustments

Light/Dark Operate Select switch
 15-turn slotted brass screw Gain (sensitivity) adjustment potentiometer (clutched at both ends of travel)
 Located on the rear panel, protected by a gasketed, clear acrylic cover.

Indicators

Patented Alignment Indicator Device system (AID™, US patent #4356393) lights a rear-panel-mounted LED indicator when the sensor sees light. Its pulse rate is proportional to the light signal strength (the stronger the signal, the faster the pulse rate).

Construction

Reinforced thermoplastic polyester housing, totally encapsulated, o-ring sealing, acrylic lenses, stainless steel screws

Environmental Rating

Meets NEMA standards 1, 2, 3, 3S, 4, 4X, 6, 12, and 13; IP67.

Connections

PVC-jacketed 4-conductor 2 m (6.5 ft) or 9 m (30 ft) cables, or 4-pin M12 male QD fitting; QD cables available separately

Operating Conditions

-20 °C to +70 °C (-4 °F to +158 °F)
 90% at +50 °C maximum relative humidity (non-condensing)

Application Note

The NPN (current sinking) output of dc MINI-BEAM sensors is directly compatible as an input to Banner logic modules, including all non-amplified MAXI-AMP and MICRO-AMP modules. MINI-BEAMs are TTL compatible.

Required Overcurrent Protection



WARNING: Electrical connections must be made by qualified personnel in accordance with local and national electrical codes and regulations.

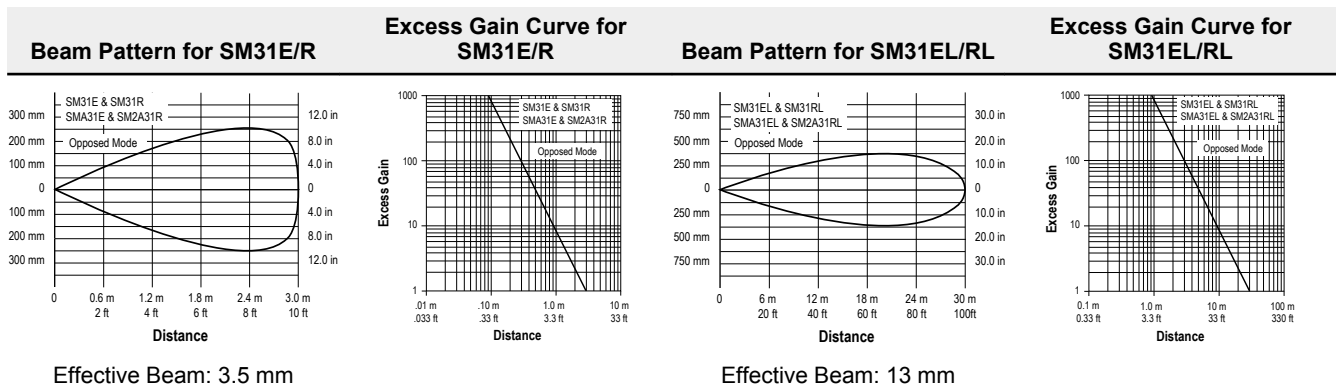
Overcurrent protection is required to be provided by end product application per the supplied table.
 Overcurrent protection may be provided with external fusing or via Current Limiting, Class 2 Power Supply.
 Supply wiring leads < 24 AWG shall not be spliced.
 For additional product support, go to www.bannerengineering.com.

| Supply Wiring (AWG) | Required Overcurrent Protection (Amps) |
|---------------------|--|
| 20 | 5.0 |
| 22 | 3.0 |
| 24 | 2.0 |
| 26 | 1.0 |
| 28 | 0.8 |
| 30 | 0.5 |

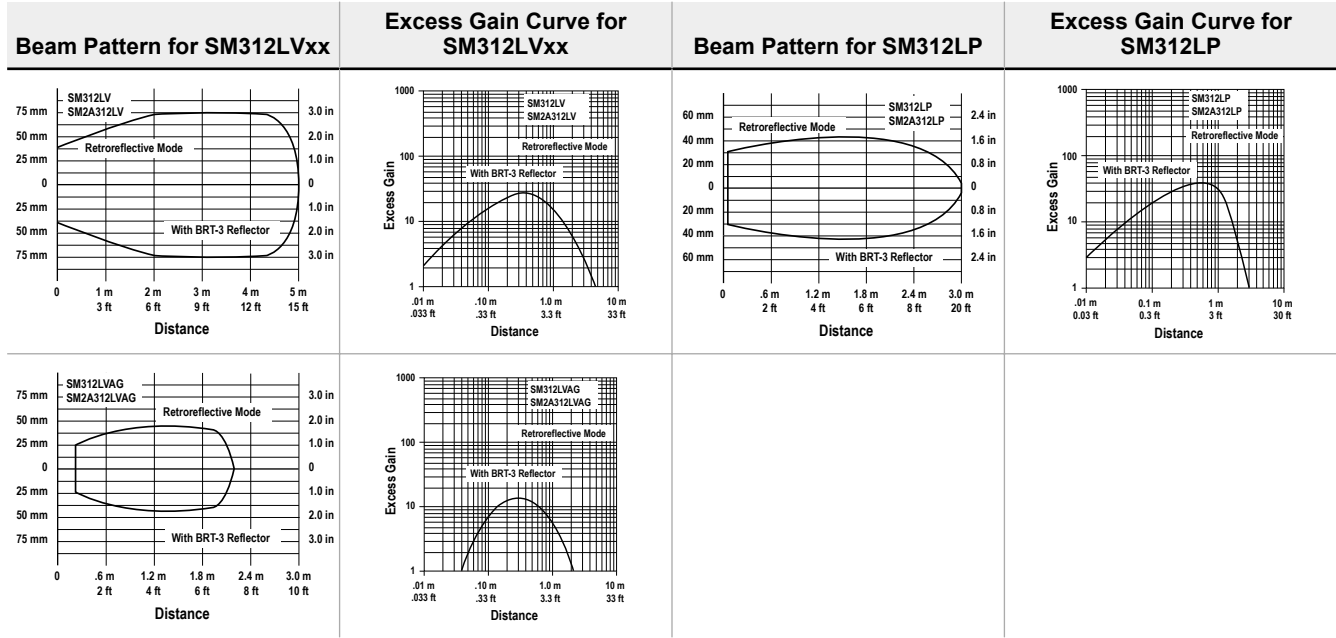
Certifications



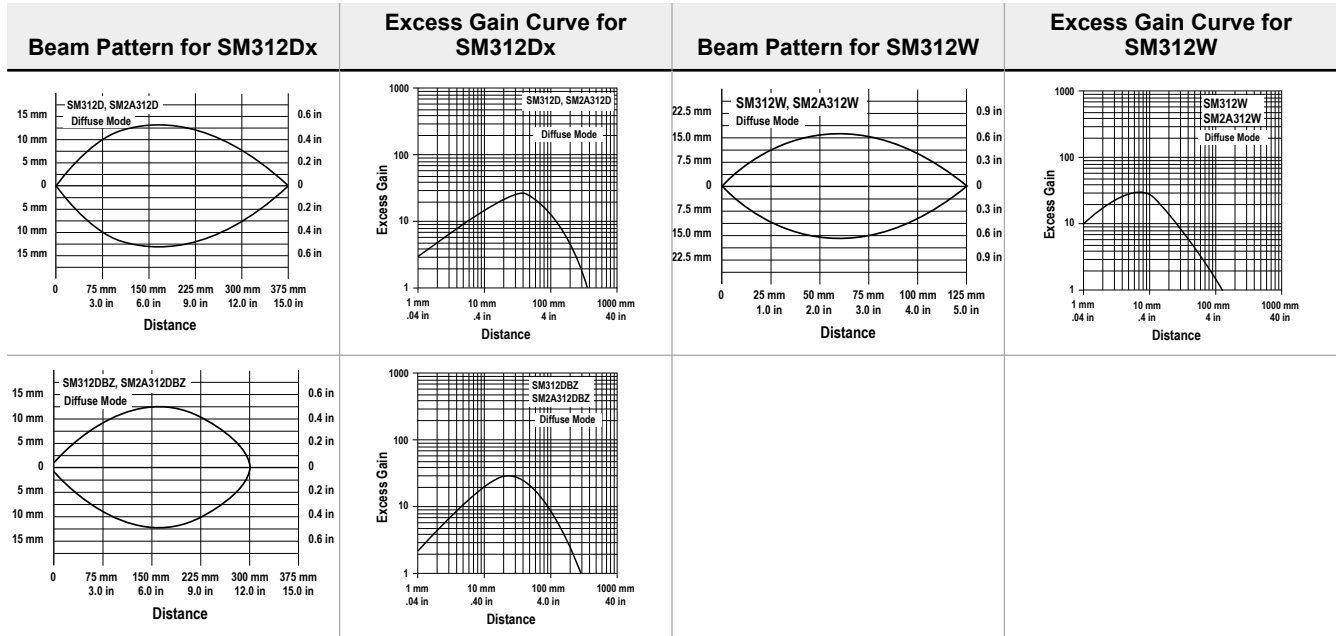
Performance Curves for SM31Ex Emitter and SM31Rx Receiver Models



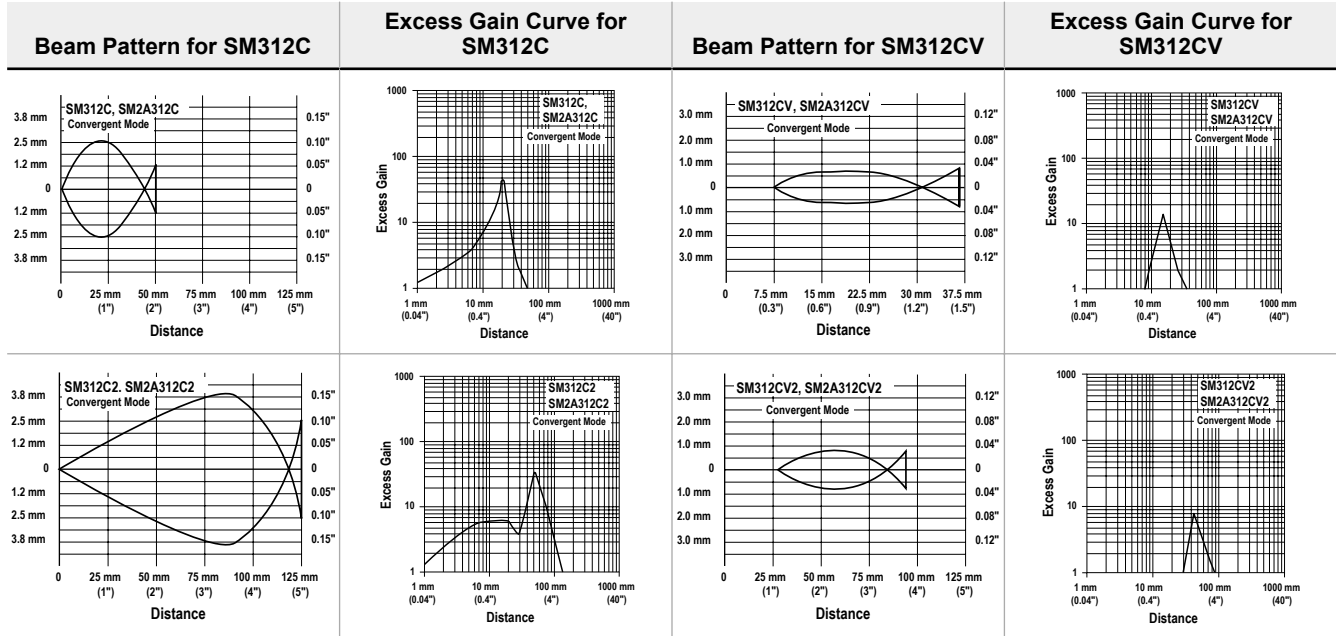
Performance Curves for the SM312Lx Retroreflective Models



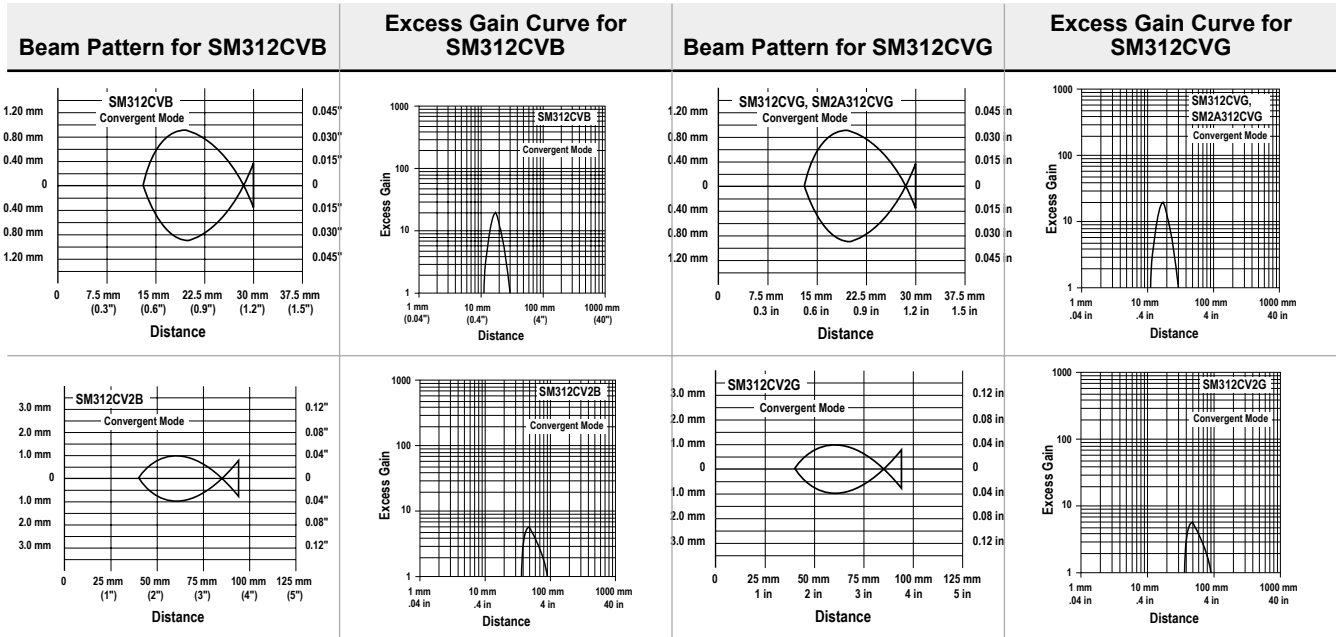
Performance Curves for the SM312Dx and SM312W Diffuse Models



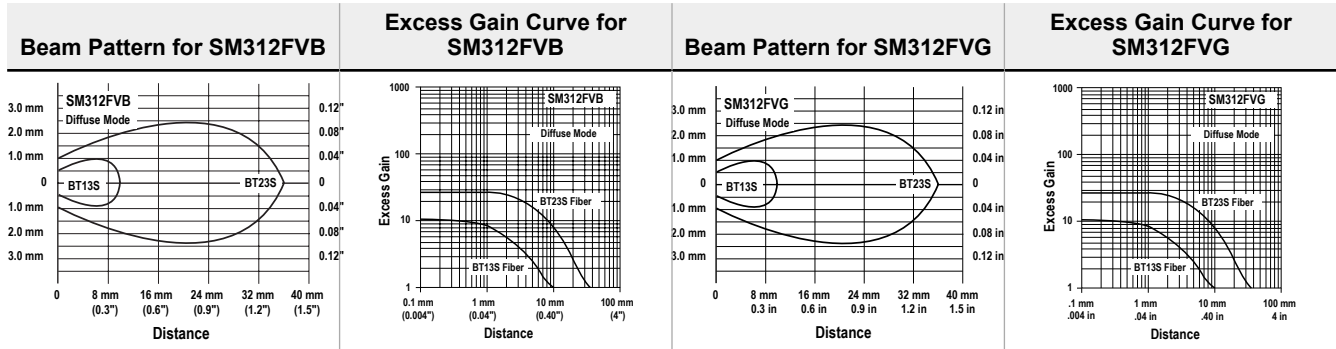
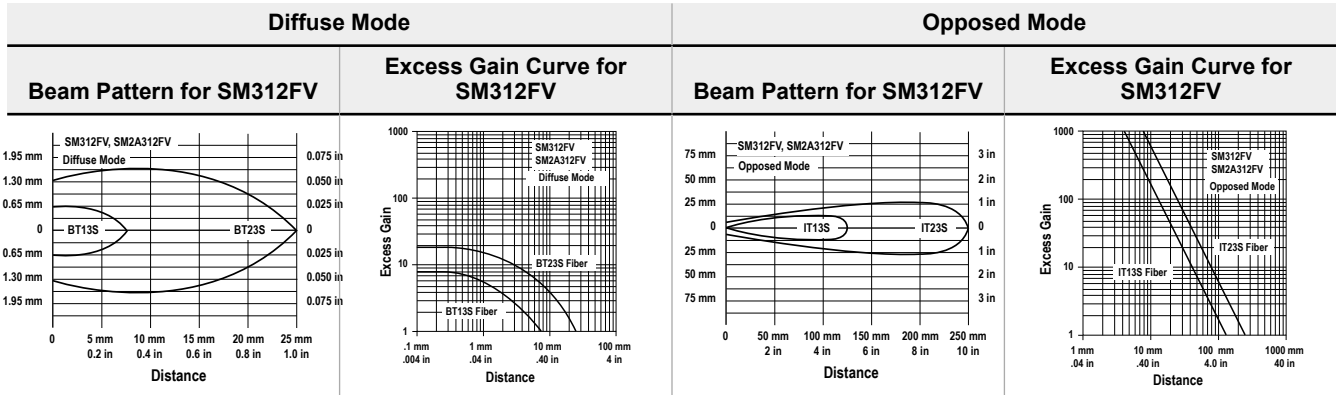
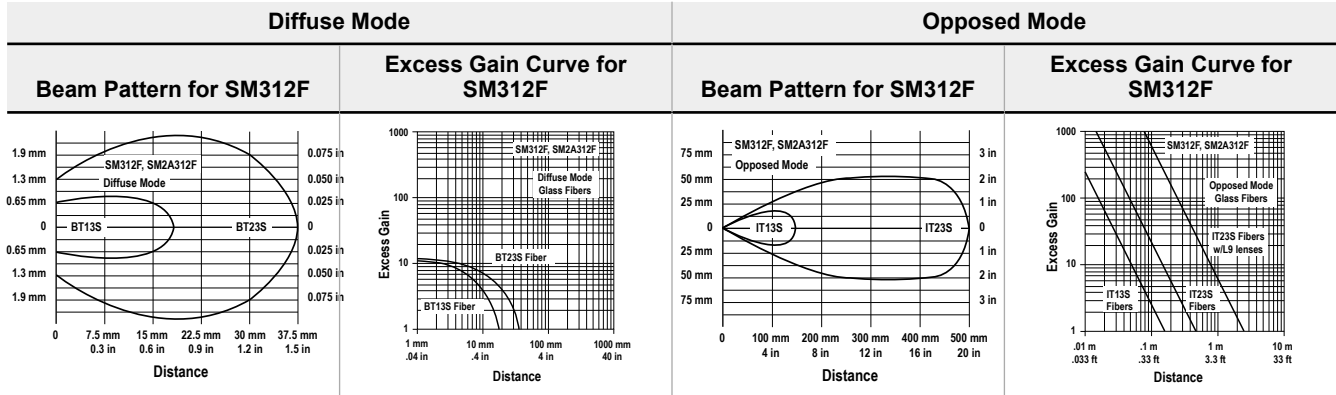
Performance Curves for the SM312Cx Convergent Models



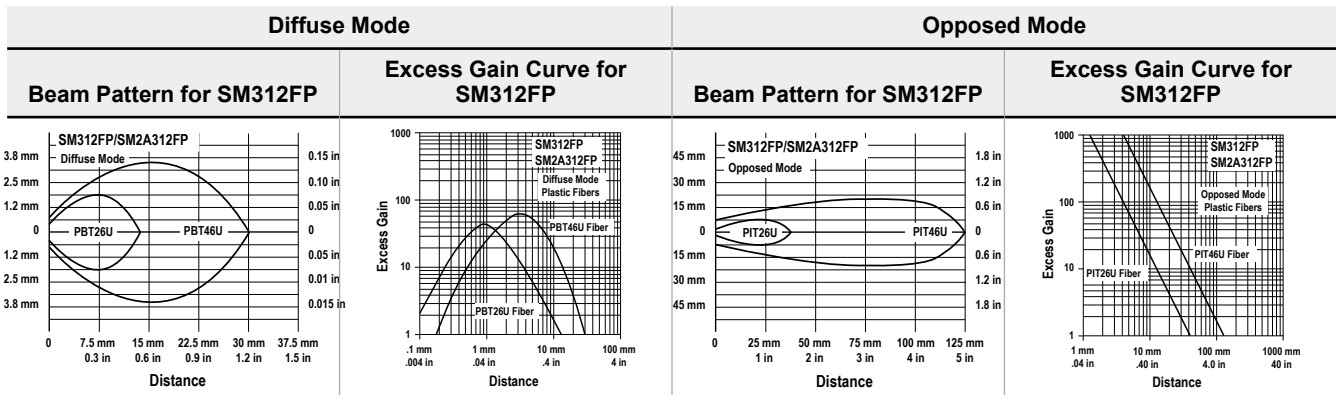
Performance is based on a 90% reflectance white test card.

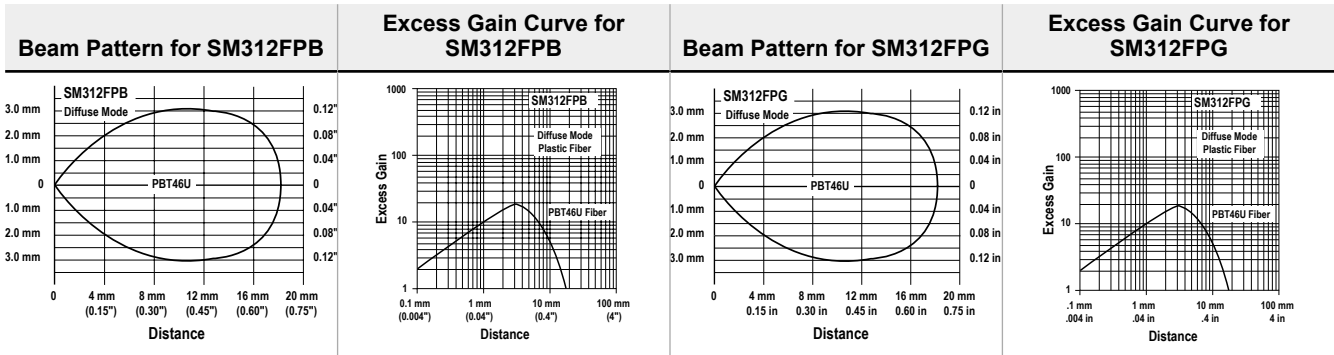


Performance Curves for the SM312F Glass Fiber Optic Models



Performance Curves for the SM312FP Plastic Fiber Optic Models

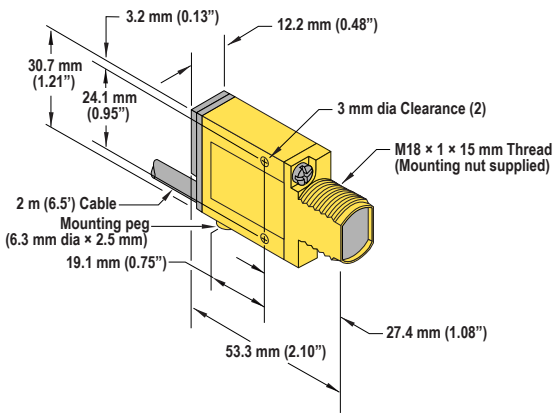




Dimensions

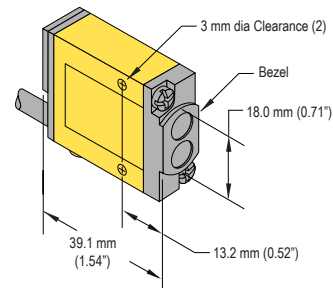
Cabled Models

(Suffix E, EL, EPD, R, RL, RPD, LV, LVAG, LP, LPC, D, C, C2, CV, CV2, CVG, CV2G, CVB, CV2B, CVW)



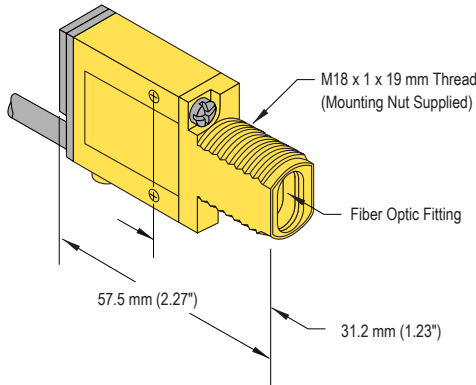
Divergent Diffuse Models

(Suffix DBZ and W)



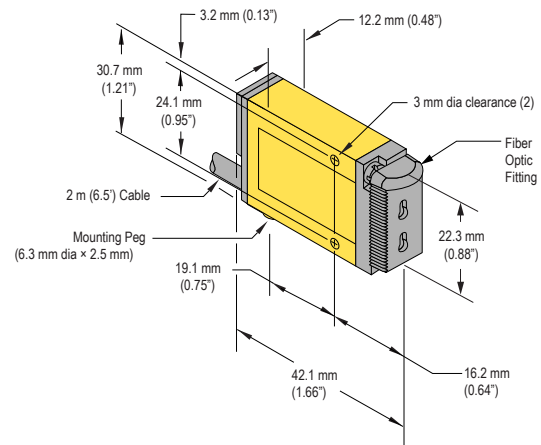
Glass Fiber Models

(Suffix F, FV, FVB, FVG, FW)

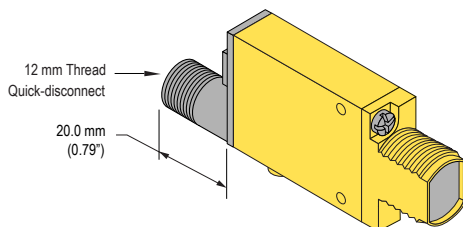


Plastic Fiber Models

(Suffix FP, FPB, FPG, FPH, FPW)

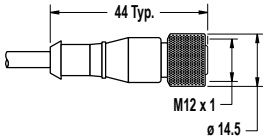
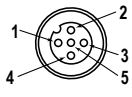
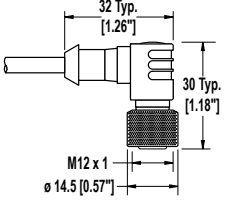
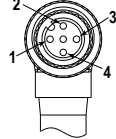


QD Models



Accessories

4-Pin Euro-Style Cordsets

| 4-Pin Threaded M12 Cordsets—Single Ended | | | | |
|--|----------------|-------------|---|---|
| Model | Length | Style | Dimensions | Pinout (Female) |
| MQDC-406 | 2 m (6.56 ft) | Straight |  |  |
| MQDC-415 | 5 m (16.4 ft) | | | |
| MQDC-430 | 9 m (29.5 ft) | | | |
| MQDC-450 | 15 m (49.2 ft) | | | |
| MQDC-406RA | 2 m (6.56 ft) | Right-Angle |  |  |
| MQDC-415RA | 5 m (16.4 ft) | | | |
| MQDC-430RA | 9 m (29.5 ft) | | | |
| MQDC-450RA | 15 m (49.2 ft) | | | |

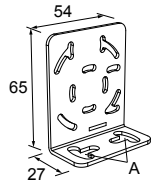
Mounting Brackets

SMB46L

- Right-angle
- L bracket
- 14-ga. 316 stainless steel

Hole center spacing: A = 16.0

Hole size: A = 16.5 × 18.7

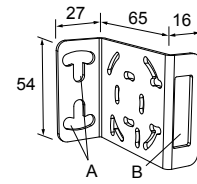


SMB46S

- Right-angle
- S bracket
- 14-ga. 316 stainless steel

Hole center spacing: A = 16.0

Hole size: A = 16.5 × 18.7, B = 34.0 × 10.0

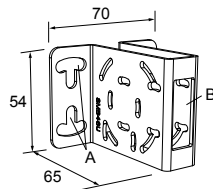


SMB46U

- Right-angle
- U bracket for sensor protection
- 14-ga. 316 stainless steel

Hole center spacing: A = 16.0

Hole size: A = 16.5 × 18.7, B = 34.0 × 13.0

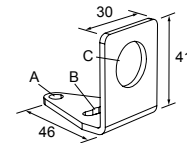


SMB18A

- Right-angle mounting bracket with a curved slot for versatile orientation
- 12-ga. stainless steel
- 18 mm sensor mounting hole
- Clearance for M4 (#8) hardware

Hole center spacing: A to B = 24.2

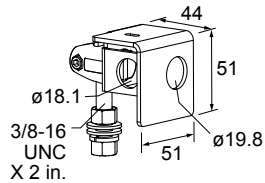
Hole size: A = \varnothing 4.6, B = 17.0 × 4.6, C = \varnothing 18.5



SMB18AFA..

- Protective, swivel bracket with tilt and pan movement for precision adjustment
- Easy sensor mounting to extruded rail T-slots
- Metric and inch size bolts available
- Mounting hole for 18 mm sensors

Hole size: B = \varnothing 18.1



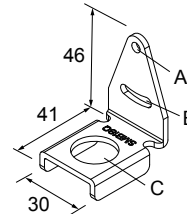
| Model | Bolt Thread (A) |
|-------------|-----------------|
| SMB18AFA | 3/8 - 16 × 2 in |
| SMB18AFAM10 | M10 - 1.5 × 50 |

SMB18Q

- Right-angle flanged bracket
- 18 mm sensor mounting hole
- 12-ga. stainless steel

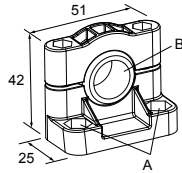
Hole center spacing: A to B = 24.2

Hole size: A = \varnothing 4.6, B = 17.0 × 4.6, C = \varnothing 19.0



SMB18SF

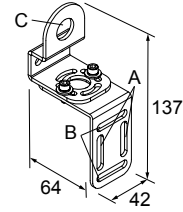
- 18 mm swivel bracket with M18 × 1 internal thread
- Black thermoplastic polyester
- Stainless steel swivel locking hardware included



Hole center spacing: A = 36.0
Hole size: A = \varnothing 5.3, B = \varnothing 18.0

SMB18UR

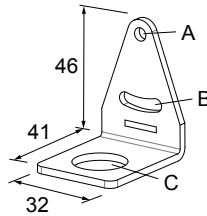
- 2-piece universal swivel bracket
- 300 series stainless steel
- Stainless steel swivel locking hardware included
- Mounting hole for 18 mm sensor



Hole center spacing: A = 25.4, B = 46.7
Hole size: B = 6.9 × 32.0, C = \varnothing 18.3

SMB312PD

- Right-angle mounting bracket with a curved slot for versatile orientation
- 12-ga. stainless steel
- 18 mm sensor mounting hole
- Clearance for M4 (#8) hardware



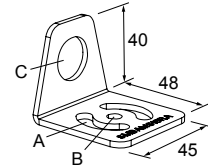
Hole center spacing: A to B = 24.2
Hole size: A = \varnothing 4.6, B = 17 × 4.6, C = \varnothing 18.5



Note: Not for use with plastic fiber optic sensors

SMBAMS18RA

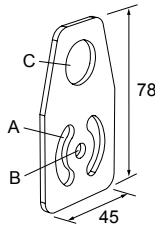
- Right-angle SMBAMS series bracket with 18 mm hole
- Articulation slots for 90+° rotation
- 12-ga. (2.6 mm) cold-rolled steel



Hole center spacing: A = 26.0, A to B = 13.0
Hole size: A = 26.8 × 7.0, B = \varnothing 6.5, C = \varnothing 19.0

SMBAMS18P

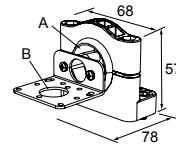
- Flat SMBAMS series bracket with 18 mm hole
- Articulation slots for 90+° rotation
- 12-ga. (2.6 mm) cold-rolled steel



Hole center spacing: A = 26.0, A to B = 13.0
Hole size: A = 26.8 × 7.0, B = \varnothing 6.5, C = \varnothing 19.0

SMB30SK

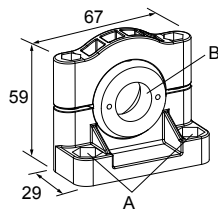
- Flat-mount swivel bracket with extended range of motion
- Black reinforced thermoplastic polyester and 316 stainless steel
- Stainless steel swivel locking hardware included



Hole center spacing: A = 50.8
Hole size: A = \varnothing 7, B = \varnothing 18

SMB3018SC

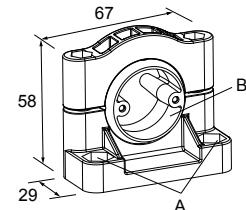
- 18 mm swivel side or barrel-mount bracket
- Black reinforced thermoplastic polyester
- Stainless steel swivel locking hardware included



Hole center spacing: A = 50.8
Hole size: A = \varnothing 7.0, B = \varnothing 18.0

SMB30SUS

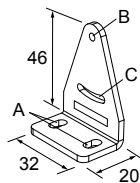
- Side-mount swivel with extended range of motion
- Black reinforced thermoplastic polyester
- Stainless steel swivel locking hardware included



Hole center spacing: A = 50.8, B = 24.1
Hole size: A = \varnothing 7, B = \varnothing 7.6

SMB312S

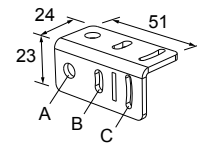
- Stainless steel 2-axis, side-mount bracket



A = 4.3 × 7.5, B = diam. 3, C = 3 × 15.3

SMB312B

- Stainless steel 2-axis, bottom-mount bracket
- Includes mounting foot

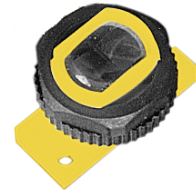


A = diam. 6.9, B = 4.3 × 10.5, C = 3.1 × 15.2

Miscellaneous Accessories and Replacement Parts

MINI-BEAM lens assemblies are field-replaceable.

| Replacement Lens Model | Replacement Lens for MINI-BEAM Model | Possible Sensing Mode or Range Changes |
|------------------------|--------------------------------------|--|
| UC-300AG | LVAG | LV to LVAG |
| UC-300BZ | W and DBZ | D to DBZ and F to DBZ |
| UC-300C..7 | C, CV, and CVG | CV2 to CV |
| UC-300C2 | C2 and CV2 | CV to CV2 |
| UC-300E | E and R | - |
| UC-300EL | EL and RL | Extends the range of the E/R models |
| UC-300EPD | EPD | - |
| UC-300F | F and FV | D to F and DBZ to F |
| UC-300FP | FP (old style) | - |
| UC-300FP2 | FP | - |
| UC-300L | LV and D | F to D, LVAG to LV, and DBZ to D |
| UC-300LP | LP | - |
| UC-300RPD | RPD | - |

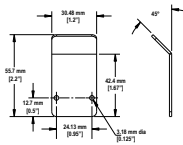


MINI-BEAM right-angle reflectors are useful for tight sensing locations. These reflectors significantly decrease excess gain.

Right-Angle Reflectors

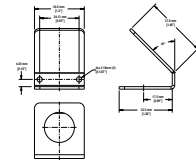
RAR300SM

- Side mount right-angle reflector
- Profile dimension of 14 mm (0.56 inches) in the direction of the scan
- Use with MINI-BEAM models 31E, EL, R, RL; and 312D, DBZ, LV, W



RAR300FM

- Front mount right-angle reflector that attaches directly to the threaded barrel of most MINI-BEAMS
- Profile dimension of 34 mm (1.35 inches) in the direction of the scan
- Use with MINI-BEAM models 31E, EL, R, RL; and 312D, LV



Opposed-mode MINI-BEAM sensors may be fitted with apertures that narrow or shape the effective beam of the sensor to more closely match the size or profile of the object to be sensed, for example, the use of “line” (or “slit”) apertures for sensing wire or thread. Each model contains 20 apertures.

MINI-BEAM Opposed-Mode Aperture Kits

| Model | Description | Qty |
|------------------------|--------------------|-----|
| Circular | | |
| AP31-020 | 0.5 mm dia. | 20 |
| AP31-040 | 1.0 mm dia. | 20 |
| AP31-100 | 2.5 mm dia. | 20 |
| Horizontal Slot | | |
| AP31-020H | 0.5 x 6.4 mm | 20 |
| AP31-040H | 1.0 x 6.4 mm | 20 |
| AP31-100H | 2.5 x 6.4 mm | 20 |
| AP31-200H | 5.1 x 6.4 mm | 20 |
| Vertical Slot | | |
| AP31-020V | 0.5 x 12.7 mm | 20 |
| AP31-040V | 1.0 x 12.7 mm | 20 |
| AP31-100V | 2.5 x 12.7 mm | 20 |
| AP31-200V | 5.1 x 12.7 mm | 20 |
| Kit | | |
| AP31-DVHX2 | 2 of each aperture | 2 |

