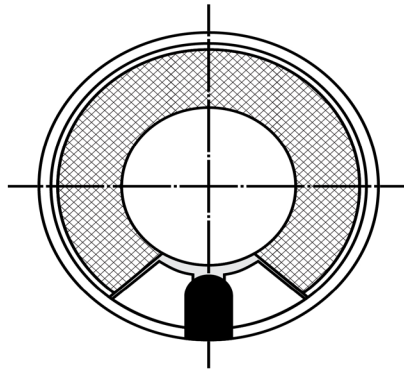
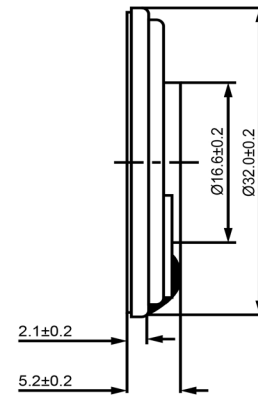




TOP VIEW



SIDE VIEW



Specifications			Notes	Revision History					
Description	Value	Unit		Version	Description	Date	Approved		
Shape	Round		1) All dimensions are in mm unless otherwise noted 2) All parts meet RoHS 	1	Released from Engineering	10/21/2013	J.S		
Resonant Frequency	668	(Hz)							
Frequency Range	668 ~ 9,000	(Hz)							
SPL @ 10cm	92	(dBA)							
Impedance	32	(Ohm)							
Cone Material	Mylar								
Nominal Power	0.5	(W)							
Max Power	1	(W)							
Mount Type	Flush								
Operating Temperature	-40 ~ +85	°C							
Storage Temperature	-40 ~ +85	°C							
Weight	7.95	(g)							
						High Temp Dynamic Speaker		SM320632-1	
				Drawn by A.B.	Date 10/21/2013	Checked by C.E.	Date 10/21/2013	Approved by J.S	Date 10/21/2013