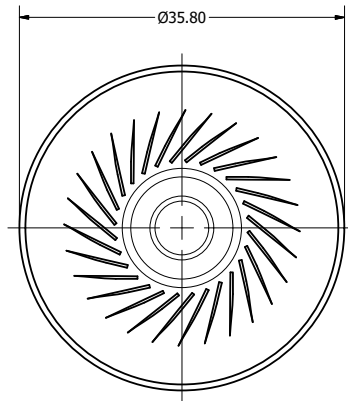
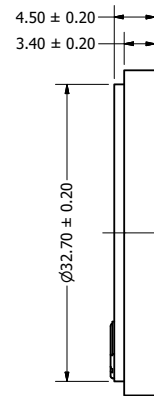


Part Number:	SM350508-1	
	DRAWN CJ	8/10/2016
	CHECKED P.D.	8/10/2016
Description:	Dynamic Speaker	APPROVED J.S.
		8/10/2016
This document contains data proprietary to DB Unlimited. Any use or reproduction, in any form, without prior written permission of DB Unlimited is prohibited. All terms and conditions can be found at www.dbunlimitedco.com		

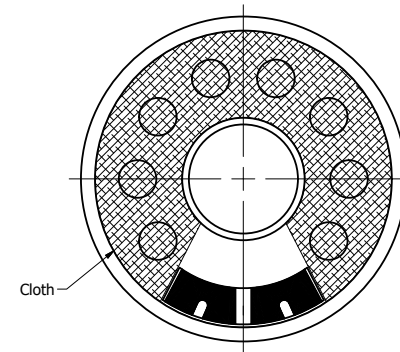
Top View



Side View



Bottom View



Items	Specifications	Conditions	REVISION HISTORY			
Sound Pressure Level	89	dB (@ 10cm)	REV	DESCRIPTION	DATE	APPROVED
Resonant Frequency	500	Hz		Released from Engineering	10/21/2013	J.S.
Frequency Range	500 ~ 5,000	Hz	1	Updated to new template	8/10/2016	J.S.
Nominal Power	0.5	W	2	Corrected SPL, resonant frequency, frequency range, operating temp, storage temp, and weight	5/17/2017	C.E.
Max. Power	1	W				
Impedance	8	Ω	NOTES			
Cone Material	Mylar		1) All dimensions are in mm unless otherwise noted			
Mount Type	Flush Mount		2) All tolerances are ± 0.5 mm unless otherwise noted			
Storage Temperature	-25 ~ +60	°C	3) All parts meet RoHS			
Operating Temperature	-25 ~ +60	°C	4) Subject to change or redrawn without notice			
Weight	8.5	g				