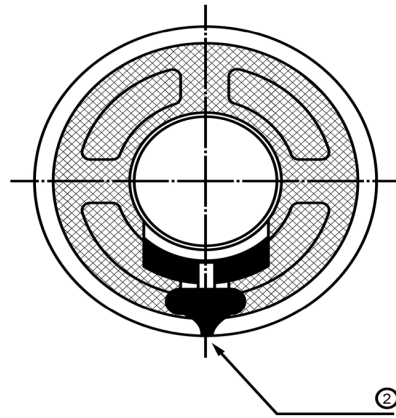
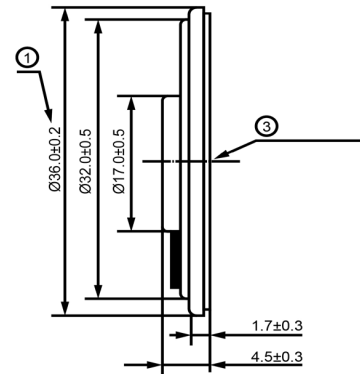




TOP VIEW



SIDE VIEW



Specifications			Notes	Revision History						
Description	Value	Unit		Version	Description		Date	Approved		
Shape	Round		1) All dimensions are in mm unless otherwise noted 2) All parts meet RoHS	1	Released from Engineering		10/21/2013	J.S		
Resonant Frequency	420	(Hz)								
Frequency Range	420 ~ 4,500	(Hz)								
SPL @ 10cm	90	(dBA)								
Impedance	16	(Ohm)								
Cone Material	Mylar									
Nominal Power	0.25	(W)								
Max Power	0.4	(W)								
Mount Type	Flush									
Operating Temperature	-25 ~ +55	°C								
Storage Temperature	-25 ~ +55	°C								
Weight	8	(g)								
 DB UNLIMITED			 Dynamic Speaker			SM360416-1				

Additional considerations can be found at www.dbunlimitedco.com/technical-articles.