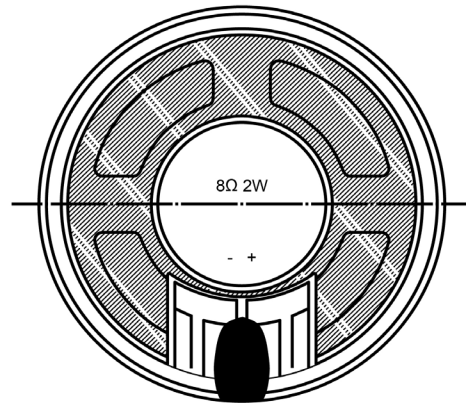
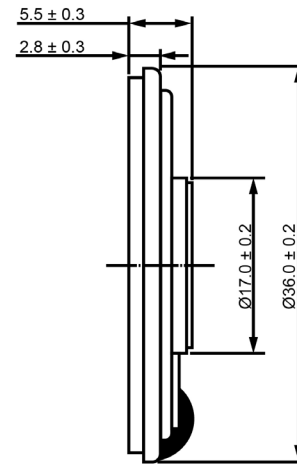



TOP VIEW



SIDE VIEW



Specifications			Notes	Revision History					
Description	Value	Unit		Version	Description	Date	Approved		
Shape	Round		1) All dimensions are in mm unless otherwise noted 2) All parts meet RoHS  DB UNLIMITED	1	Released from Engineering	2/10/2014	J.S		
Resonant Frequency	650	(Hz)							
Frequency Range	650 ~ 8,000	(Hz)							
SPL @ 10cm	94	(dBA)							
Impedance	8	(Ohm)							
Cone Material	Mylar								
Nominal Power	2	(W)							
Max Power	3	(W)							
Mount Type	Flush Mount								
Operating Temperature	- 25 ~ + 60	°C							
Storage Temperature	- 25 ~ + 60	°C							
Weight	8.3	(g)							
				Dynamic Speaker		SM360608-1			
				Drawn by	Date	Checked by	Date	Approved by	Date
				A.B.	10/21/2013	C.E.	10/21/2013	J.S	2/10/2014