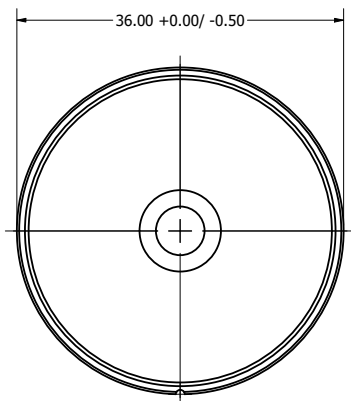
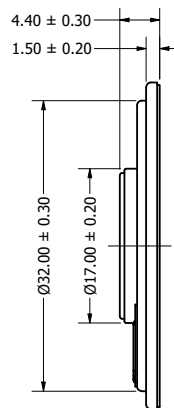


Part Number:	SM360616-1	
	DRAWN CJ	8/4/2016
	CHECKED P.D.	8/4/2016
Description:	Dynamic Speaker	APPROVED J.S.
		8/4/2016
This document contains data proprietary to DB Unlimited. Any use or reproduction, in any form, without prior written permission of DB Unlimited is prohibited. All terms and conditions can be found at www.dbunlimitedco.com		

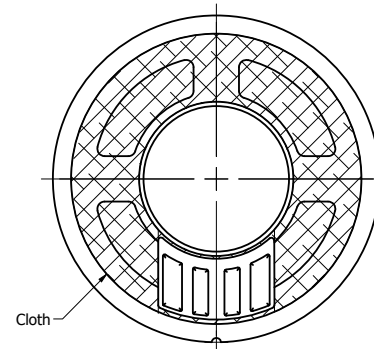
Top View



Side View



Bottom View



Items	Specifications	Conditions
Sound Pressure Level	97	dB (@ 10cm)
Resonant Frequency	600	Hz
Frequency Range	600 ~ 4,600	Hz
Nominal Power	0.5	W
Max. Power	1	W
Impedance	16	Ω
Cone Material	Mylar	
Mount Type	Flush Mount	
Storage Temperature	-40 ~ +66	°C
Operating Temperature	-40 ~ +66	°C
Weight	8.2	g

REVISION HISTORY

REV	DESCRIPTION	DATE	APPROVED
	Released from Engineering	8/4/2016	J.S.
1	Corrected max. power	5/18/2017	C.E.

NOTES

- 1) All dimensions are in mm unless otherwise noted
- 2) All tolerances are ± 0.5 mm unless otherwise noted
- 3) All parts meet RoHS
- 4) Subject to change or redrawn without notice