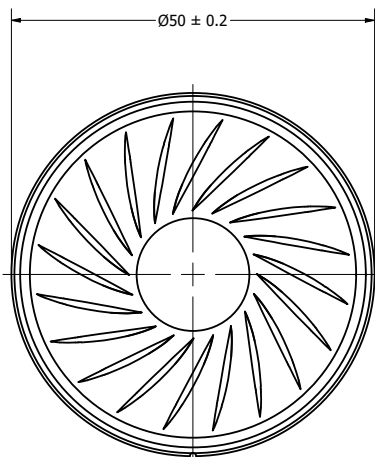
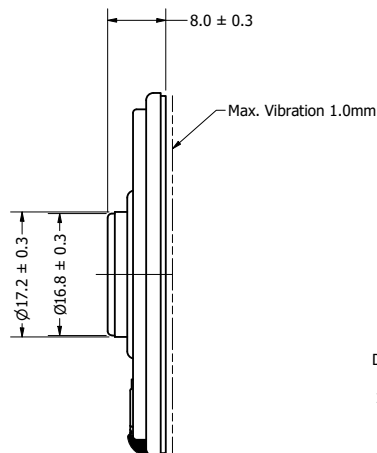


Part Number:	<b>SM500416-1</b>	
	DRAWN CJ	5/23/2018
Description:	CHECKED C.H.	5/30/2018
	APPROVED C.E.	5/30/2018
This document contains data proprietary to DB Unlimited. Any use or reproduction, in any form, without prior written permission of DB Unlimited is prohibited. All terms and conditions can be found at <a href="http://www.dbunlimitedco.com">www.dbunlimitedco.com</a>		

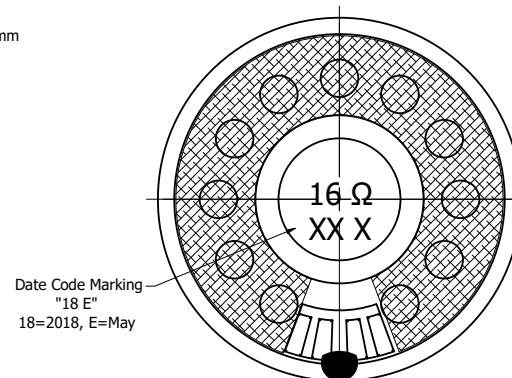
Top View



Side View



Bottom View



Items	Specifications	Conditions	REVISION HISTORY			
Sound Pressure Level	97	dB (@ 10cm), Avg.	REV	DESCRIPTION	DATE	APPROVED
Resonant Frequency	400	Hz		Released from Engineering	5/30/2018	C.E.
Frequency Range	400 ~ 5,000	Hz	1	Update back magnet detail	2/3/2018	C.E.
Nominal Power	0.25	W	NOTES			
Max. Power	0.5	W				
Impedance	16	Ω				
Cone Material	Mylar					
Mount Type	Flush Mount		1) All dimensions are in mm unless otherwise noted			
Storage Temperature	-30 ~ +70	°C	2) All tolerances are ± 0.5 mm unless otherwise noted			
Operating Temperature	-20 ~ +60	°C	3) All parts meet RoHS			
			4) Subject to change or redrawn without notice			