

PROTECTION PRODUCTS

Description

The SM712 transient voltage suppressor (TVS) diode is designed for asymmetrical (12V to -7V) protection in multi-point data transmission standard RS-485 applications. The SM712 may be used to protect devices from transient voltages resulting from electrostatic discharge (ESD), electrical fast transients (EFT), and lightning.

The SM712 features more than 500 Watts ($t_p = 8/20 \mu s$) of power handling capability to accommodate the higher transient voltage levels which may be expected in extended common mode applications. This provides higher equipment reliability and eliminates the "guess work" required when using Zener diodes that are not rated to handle such transient conditions.

The SM712 replaces four discrete components by integrating two 12V and two 7V TVS diodes in a single package. The integrated design aids in reducing voltage over-shoot associated with trace inductance. The low clamping voltage of SM712 minimizes the stress on the protected transceiver.

Features

- Transient Protection to
 - ♦ IEC 61000-4-2 (ESD): $\pm 30kV$ (Air), $\pm 30kV$ (Contact)
 - ♦ IEC 61000-4-4 (EFT): 40A (5/50ns)
 - ♦ IEC 61000-4-5 (Lightning): 21A for 12V TVS & 38A for 7V TVS ($t_p = 8/20\mu s$)
- Protects two +12V to -7V lines
- Peak pulse power ($t_p = 8/20\mu s$): 500-700W
- Low capacitance
- Low clamping voltage
- Solid-State Silicon-Avalanche Technology

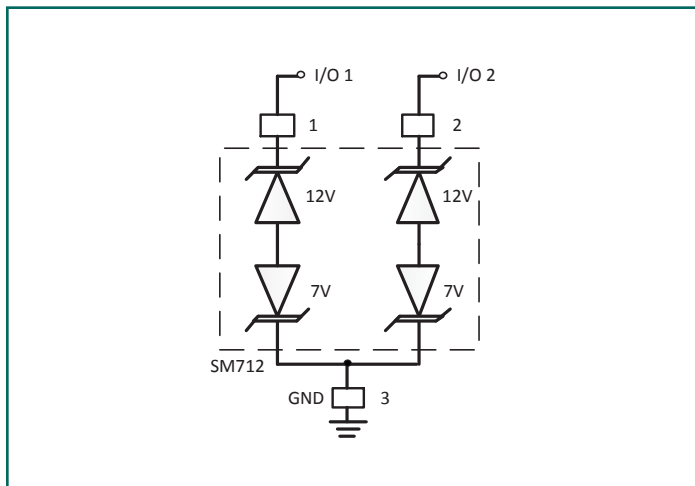
Mechanical Characteristics

- JEDEC SOT23 Package
- Molding Compound Flammability Rating: UL 94V-0
- Pb-Free, Halogen Free, RoHS/WEEE compliant
- Marking: 712
- Packaging: Tape and Reel

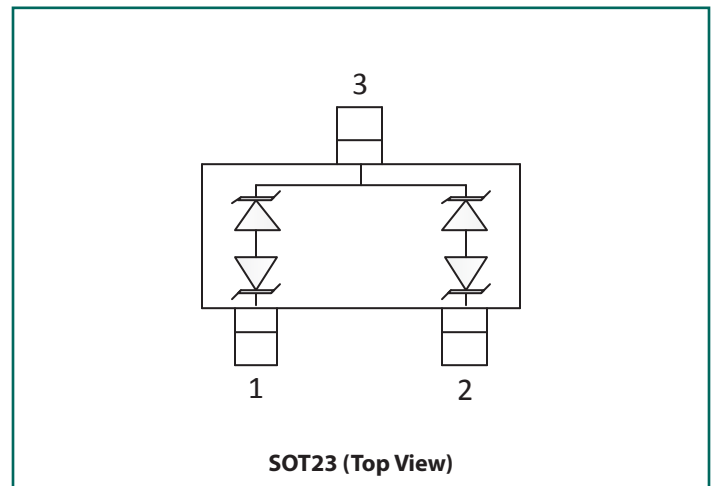
Applications

- RS-485 transceivers with extended common mode range
- Security systems
- Automatic Teller Machines
- HFC systems
- Networks

Circuit Diagram



Schematic and Pin Configuration



Absolute Maximum Ratings

Rating	Symbol	Value	Units
Peak Pulse Power (tp = 8/20μs)	P _{PK}	550- 700	W
Peak Pulse Current (tp = 8/20μs), Pin 1 or 2 to Pin 3	I _{PP}	21	A
Peak Pulse Current (tp = 8/20μs), Pin 3 to Pin 1 or 2		38	
ESD per IEC 61000-4-2 (Contact) ⁽¹⁾	V _{ESD}	30	kV
ESD per IEC 61000-4-2 (Air) ⁽¹⁾		30	
Lead Soldering Temperature	T _L	260 (10 sec.)	°C
Operating Temperature	T _J	-55 to +125	°C
Storage Temperature	T _{STG}	-55 to +150	°C

Electrical Characteristics (T=25°C unless otherwise specified)

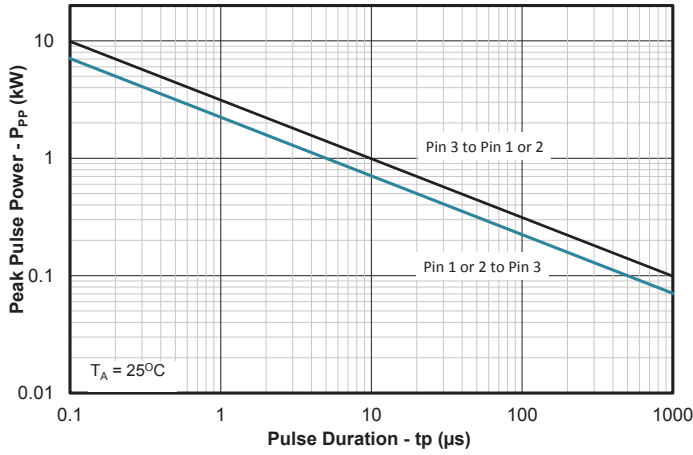
Parameter	Symbol	Conditions	Min.	Typ.	Max.	Units	
Reverse Stand-Off Voltage	V _{RWM}	Pin 1 or Pin 2 to 3			12	V	
		Pin 3 to Pin 1 or 2			7		
Reverse Breakdown Voltage	V _{BR}	I _t = 1mA, Pin 1 or 2 to Pin 3	13.3			V	
		I _t = 1mA, Pin 3 and Pin 1 or 2	7.5				
Reverse Leakage Current	I _R	V _R = 12 V, Pin 1 or Pin 2 to 3			1	μA	
		V _R = 7 V, Pin 3 to Pin 1 or 2			20		
Clamping Voltage	V _C	I _{PP} = 5A, Pin 1 or 2 to Pin 3, tp = 8/20μs			20	V	
		I _{PP} = 5A, Pin 3 to Pin 1 or 2, tp = 8/20μs			10		
Clamping Voltage	V _C	I _{PP} = 21A, Pin 1 or 2 to Pin 3, tp = 8/20μs			26	V	
		I _{PP} = 38A, Pin 3 to Pin 1 or 2, tp = 8/20μs			19		
Junction Capacitance	C _J	V _R = 0V	Pin 1 or 2 to Pin 3			75	pF
			Pin 3 to Pin 1 or 2			75	
		V _R = 12V	Pin 1 or 2 to Pin 3		57		
		V _R = 7V	Pin 3 to Pin 1 or 2		35		

Notes:

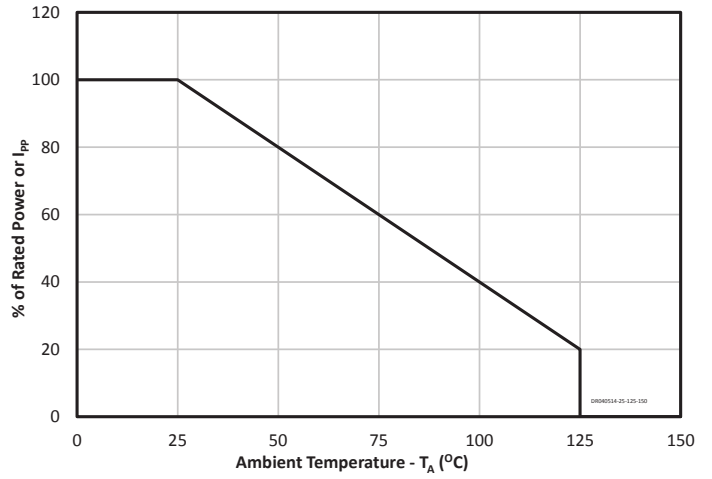
- (1): ESD Gun return path to Ground Reference Plane (GRP)
- (2): Transmission Line Pulse Test (TLP) Settings: tp = 100ns, tr = 0.2ns, I_{TLP} and V_{TLP}, averaging window: t₁ = 70ns to t₂ = 90ns.
- (3): Dynamic resistance calculated from I_{TLP} = 4A to I_{TLP} = 16A.

Typical Characteristics

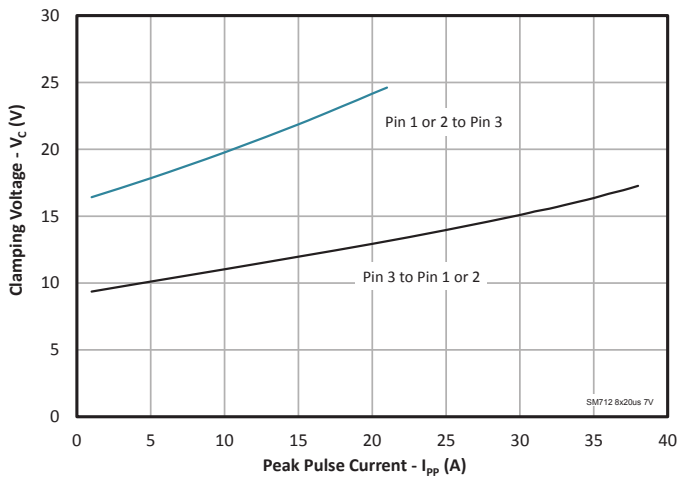
Non-Repetitive Peak Pulse Power vs. Pulse Time



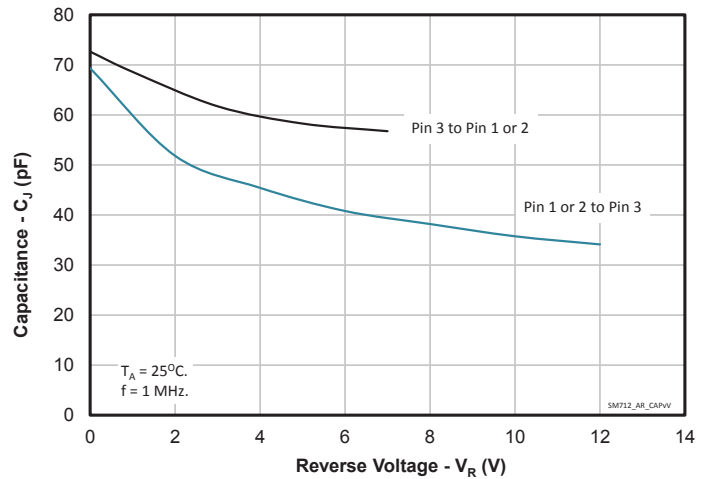
Power Derating Curve



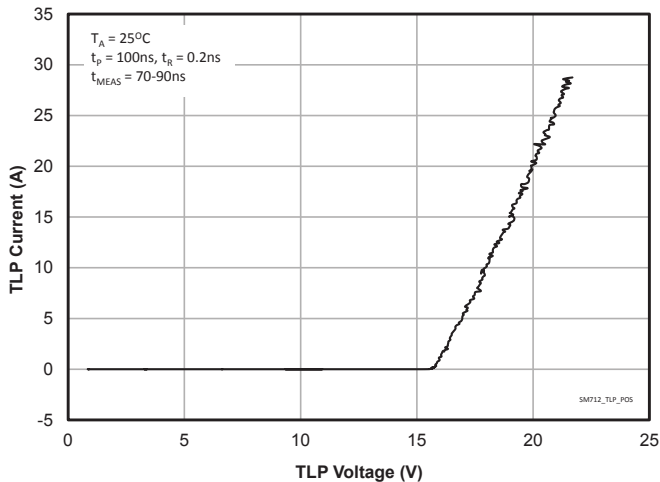
Clamping Voltage vs. Peak Pulse Current ($t_p = 8/20\mu$ s)



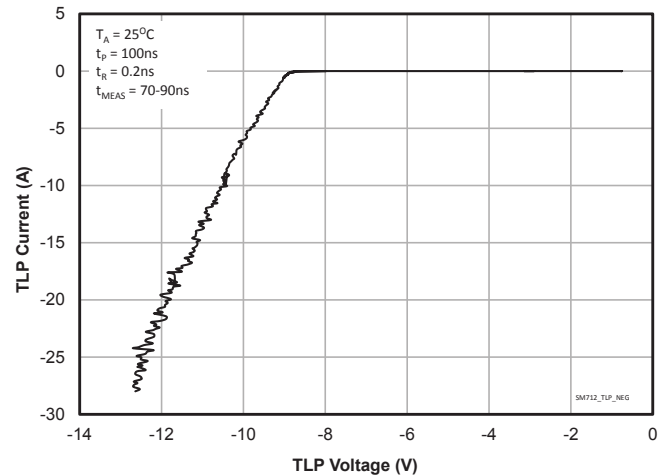
Capacitance vs. Reverse Voltage



TLP IV Curve (Pin 1 or 2 to Pin 3)

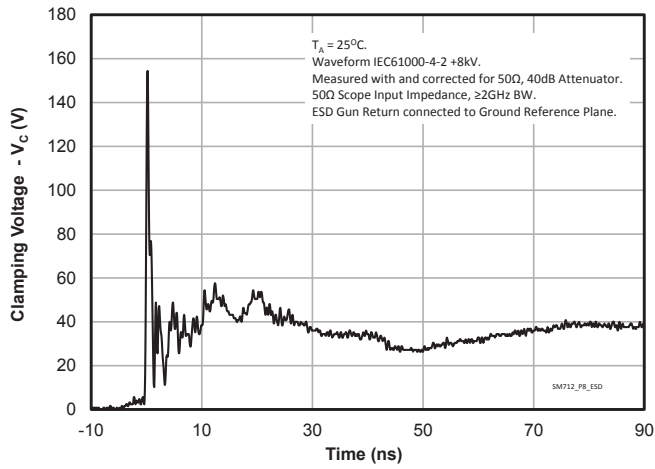


TLP IV Curve (Pin 3 to Pin 1 or 2)

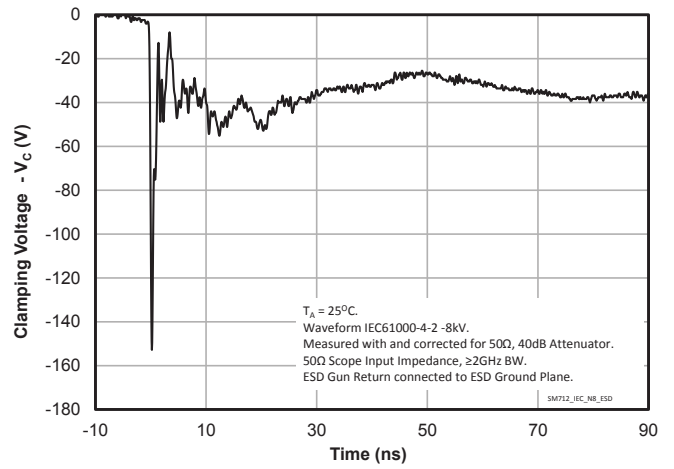


Typical Characteristics

ESD Clamping Voltage (+8kV Contact per IEC 61000-4-2)



ESD Clamping Voltage (-8kV Contact per IEC 61000-4-2)



Application Information

Device Connection for Protection of Two RS-485 Data Lines

EIA RS-485 specifies a $\pm 7V$ ground difference between devices on the bus. This permits the bus voltage to range from +12V (5V + 7V) to -7V (0-7V).

The SM712 is designed to protect two RS-485 data lines in extended common mode applications. The SM712 may be used to protect devices from transient voltages resulting from ESD, EFT, and lightning. The device is designed with asymmetrical operating voltages for optimum protection. The TVS diodes at pins 1 and 2 have a working voltage of 12 volts. These pins are connected to the differential data line pairs. The TVS diodes at pin 3 have a working voltage of 7 volts. Pin 3 is connected to ground. The internal TVS diodes of the SM712 will protect the transceiver input from positive transient voltage spikes greater than 12V and negative spikes greater than 7V.

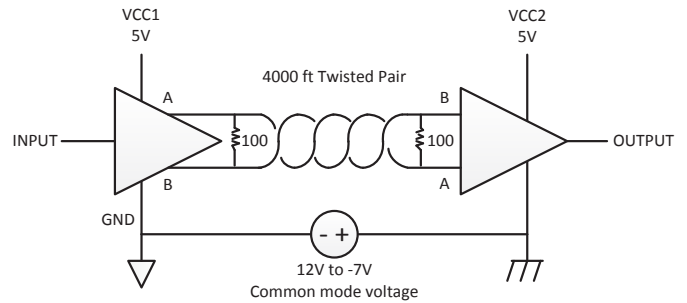
A series current limiting resistor may be added in applications requiring enhanced surge immunity.

Circuit Board Layout Recommendations

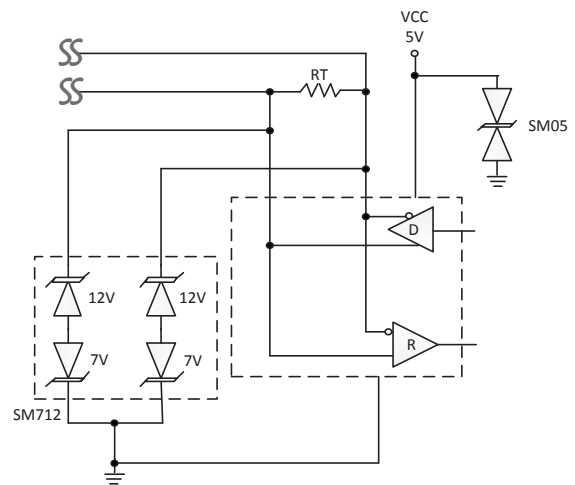
Good circuit board layout is critical for the suppression of fast rise time transients such as ESD. The following guidelines are recommended:

- Place the SM712 near the input terminals or connectors to restrict electromagnetic coupling.
- Minimize the path length between the SM712 and the protected line. This minimizes voltage overshoot due to parasitic inductance of board traces.
- Use ground planes whenever possible.
- Long, single trace ground conductors should be avoided. The ground pin (Pin 3) should be connected directly to a ground plane on the circuit board for best results.
- Minimize all conductive loops including power and ground loops.
- Never run critical signals near board edges.

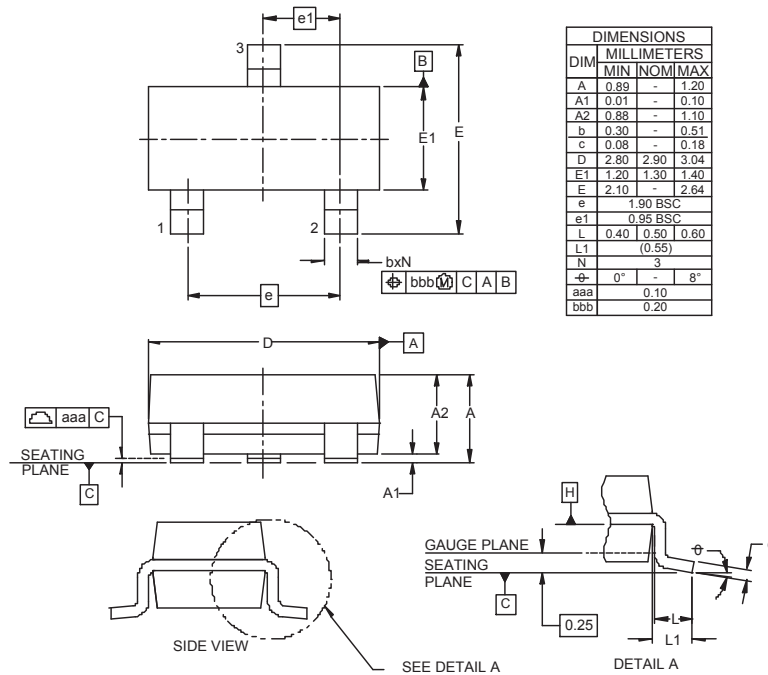
RS-485 Common Mode Voltages



RS-485 Protection Circuit

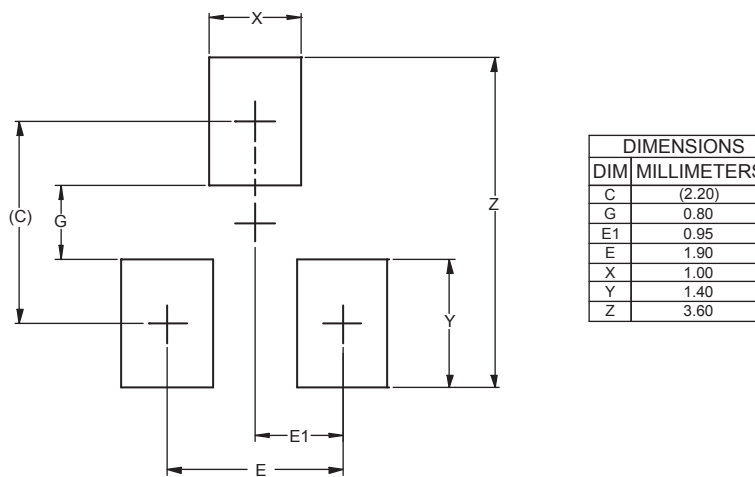


Outline Drawing - SOT-23



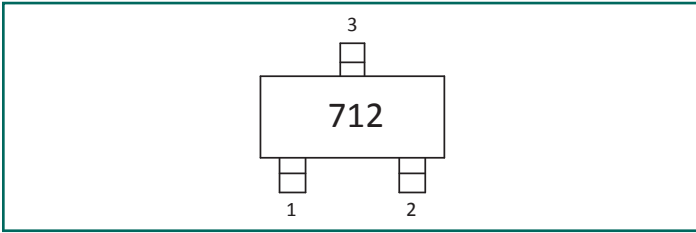
- NOTES:
1. CONTROLLING DIMENSIONS ARE IN MILLIMETERS (ANGLES IN DEGREES).
 2. DATUMS -A- AND -B- TO BE DETERMINED AT DATUM PLANE -H-.
 3. DIMENSIONS "E1" AND "D" DO NOT INCLUDE MOLD FLASH, PROTRUSIONS OR GATE BURRS.

Land Pattern - SOT-23

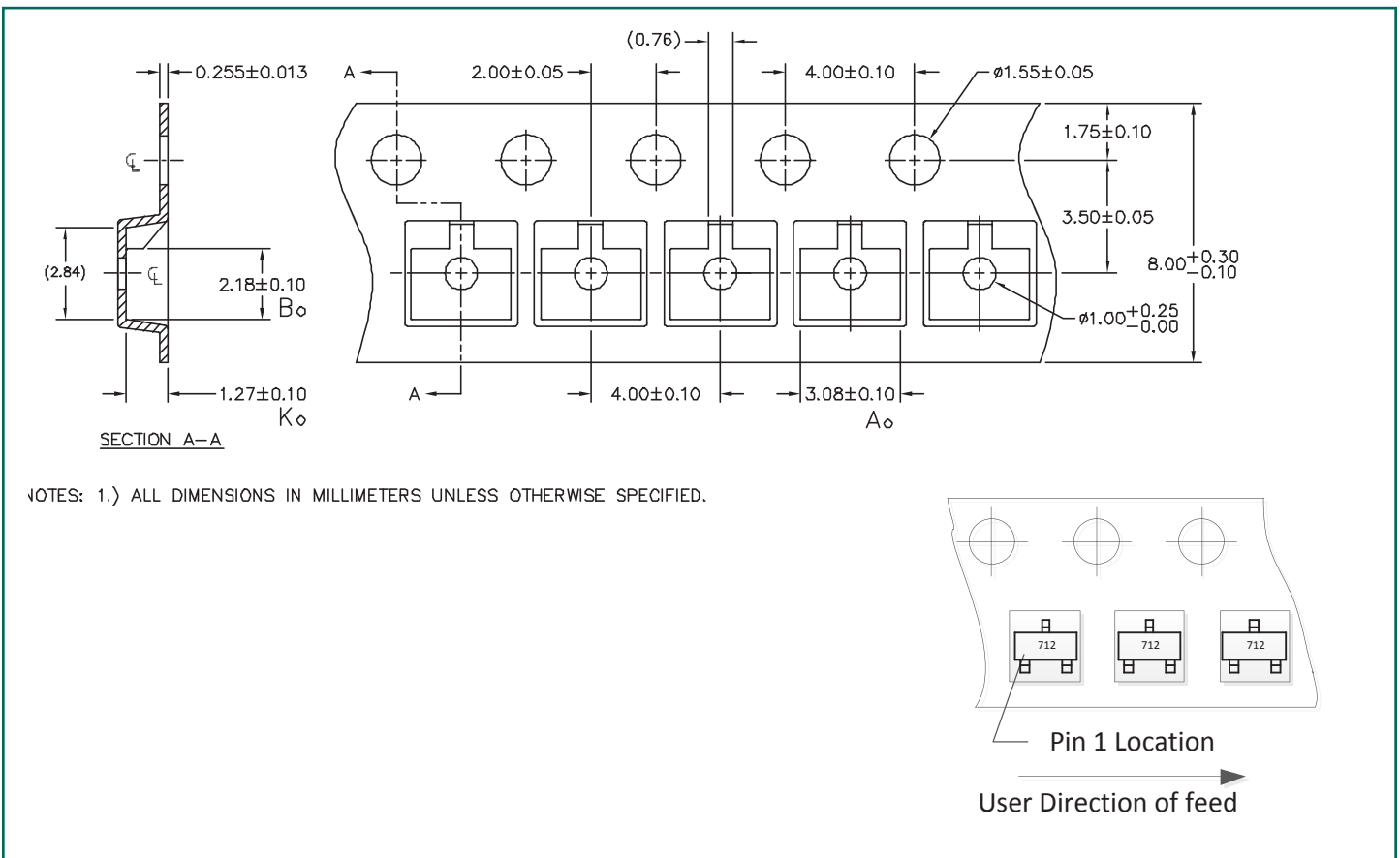


- NOTES:
1. CONTROLLING DIMENSIONS ARE IN MILLIMETERS (ANGLES IN DEGREES).
 2. THIS LAND PATTERN IS FOR REFERENCE PURPOSES ONLY CONSULT YOUR MANUFACTURING GROUP TO ENSURE YOUR COMPANY'S MANUFACTURING GUIDELINES ARE MET.
 3. REFERENCE IPC-SM-782A.

Marking Code



Tape and Reel Specification



Ordering Information

Part Number	Qty per Reel	Reel Size	Carrier Tape	Pitch
SM712.TCT	3,000	7 Inch	Plastic	4mm

MicroClamp and uClamp are registered trademarks of Semtech Corporation.