

Features

- Surface mount
- Dual transformer for transmit and receive
- 1500 VAC HIPOT
- RoHS compliant*

Applications

- Telecom

SM74139L - T1/CEPT/ISDN-PRI Dual Transformer

Electrical Specifications @ 25 °C

Primary Pins

Core A 1-3
Core B 6-8

Ratio (±2 %)

Core A & B 1CT : 1.15CT

OCL (mH) min.

Core A & B 1.2

Leakage Inductance (µH) max.

Core A & B 0.60

Cww (pF) max.

Core A & B 30

DCR of primary (Ω) max.

Core A & B 0.70

DCR of secondary (Ω) max.

Core A & B 0.75

Operating Temperature (°C).....0 to +70

*CT : center tap

Packaging Specifications

Tape & Reel* 700 pcs./reel

**E" suffix before "L" in part number designates tape & reel packaging, e.g. SM74139EL.

How To Order

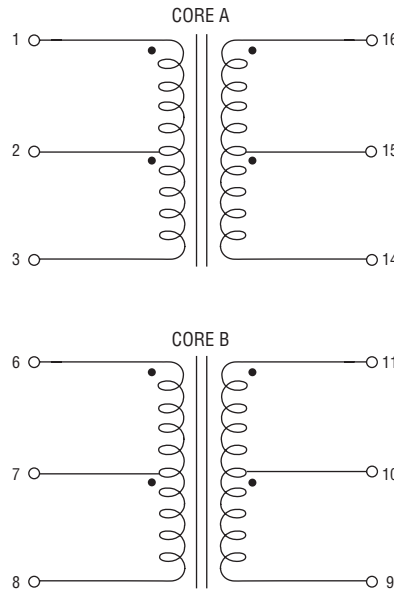
SM74139E L

Model _____

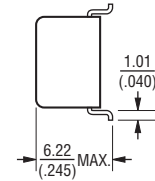
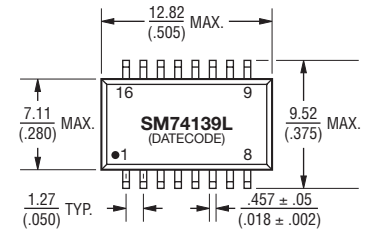
Termination _____

L = Tin only (RoHS Compliant)

Electrical Schematic



Product Dimensions



DIMENSIONS: $\frac{\text{MM}}{\text{(INCHES)}}$

TOLERANCE: ± $\frac{0.254}{(0.010)}$