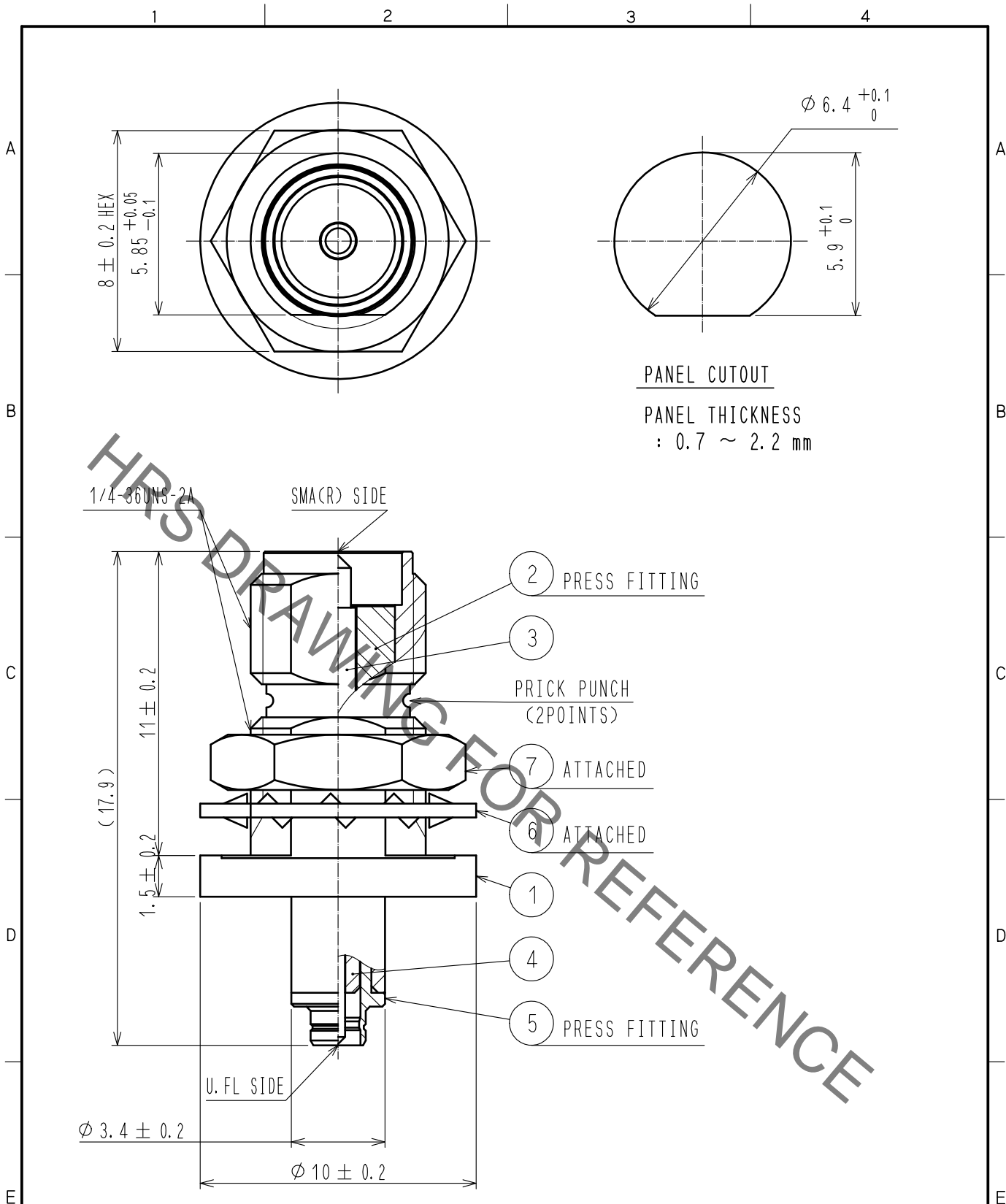


Jan.1.2022 Copyright 2022 HIROSE ELECTRIC CO., LTD. All Rights Reserved.
In case of consideration for using Automotive equipment / device which demand high reliability, kindly contact our sales window correspondents.



PANEL CUTOUT

PANEL THICKNESS : 0.7 ~ 2.2 mm

HRS DRAWING FOR REFERENCE

RoHS COMPLIANT

4	PTFE			7	BRASS	NICKEL PLATING	
3	BRASS	GOLD PLATING		6	BRASS	NICKEL PLATING	
2	PTFE			5	BRASS	NICKEL PLATING	
1	BRASS	NICKEL PLATING					
NO.	MATERIAL	FINISH	REMARKS	NO.	MATERIAL	FINISH	REMARKS

UNITS mm		SCALE 5 : 1	COUNT 	DESCRIPTION OF REVISIONS	DESIGNED	CHECKED	DATE
<div style="display: flex; align-items: center;"> <div> <p>HIROSE ELECTRIC CO., LTD.</p> </div> </div>				APPROVED : KY. SHIMIZU	16.08.23	DRAWING NO. EDC-349746-00-00 PART NO. SMA(R)J-U. FLJ-BPA-4 CODE NO. CL311-0464-0-00	
				CHECKED : TO. KATAYAMA	16.08.23		
				DESIGNED : RO. YOKOYAMA	16.08.22		
				DRAWN : RO. YOKOYAMA	16.08.22		
					1		