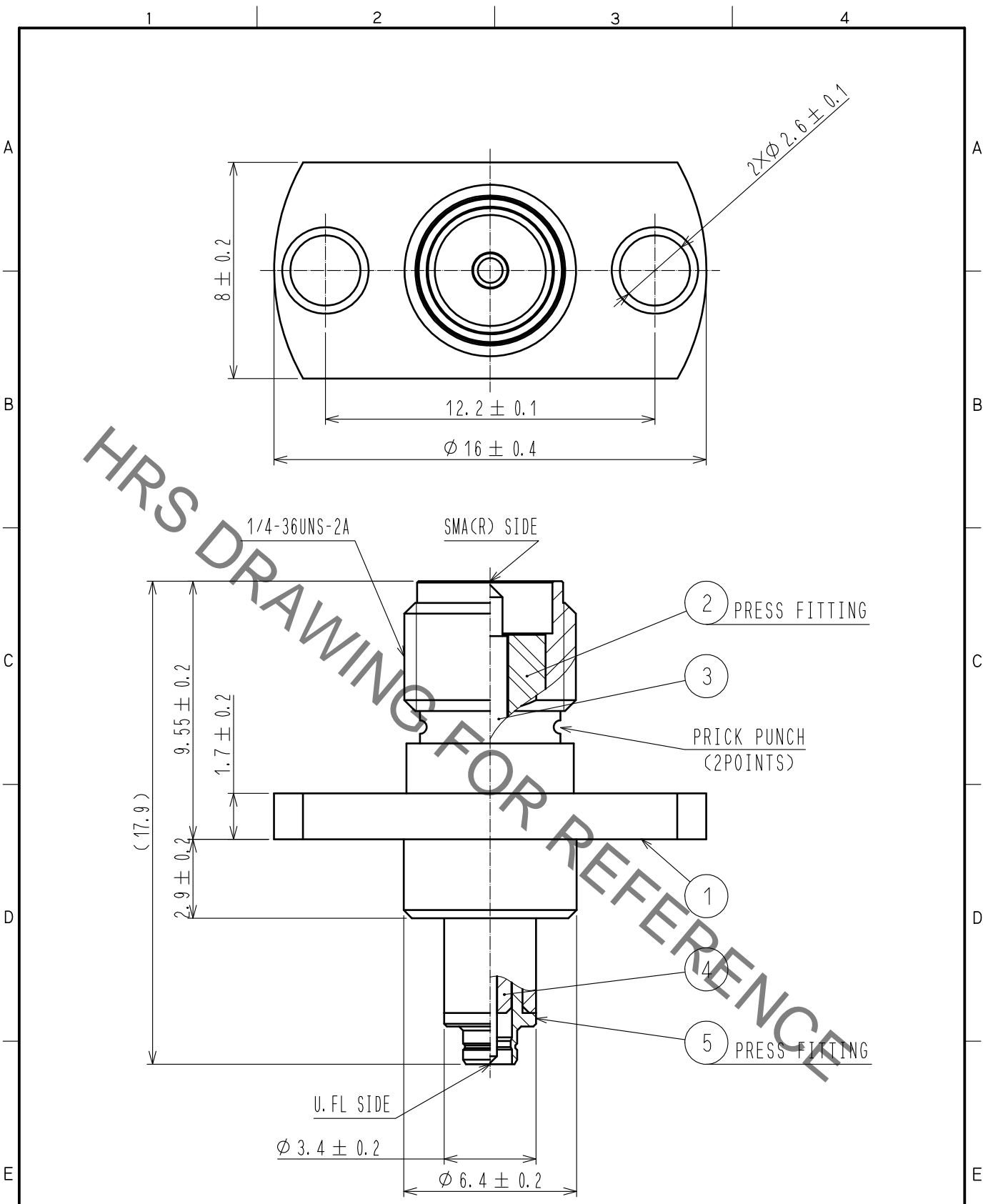


Jan.1.2022 Copyright 2022 HIROSE ELECTRIC CO., LTD. All Rights Reserved.  
 In case of consideration for using Automotive equipment / device which demand high reliability, kindly contact our sales window correspondents.



RoHS COMPLIANT

3	BRASS	GOLD PLATING					
2	PTFE		5	BRASS	NICKEL PLATING		
1	BRASS	NICKEL PLATING	4	PTFE			
NO.	MATERIAL	FINISH .	REMARKS	NO.	MATERIAL	FINISH .	REMARKS

UNITS mm		SCALE 5 : 1	COUNT 	DESCRIPTION OF REVISIONS	DESIGNED	CHECKED	DATE
-------------	--	----------------	-----------	--------------------------	----------	---------	------

HIROSE ELECTRIC CO., LTD.	APPROVED : KY. SHIMIZU	16. 08. 23	DRAWING NO.	EDC-349750-00-00
	CHECKED : TO. KATAYAMA	16. 08. 23	PART NO.	SMA(R)J-U. FLJ-PA2
	DESIGNED : RO. YOKOYAMA	16. 08. 22	CODE NO.	CL311-0468-0-00
	DRAWN : RO. YOKOYAMA	16. 08. 22		