

**SURFACE MOUNT GPP
TRANSIENT VOLTAGE SUPPRESSOR
600 WATT PEAK POWER 5.0 WATTS STEADY STATE**

FEATURES

- * Peak pulse power:600 W (10/1000 μ s),4 kW (8/20 μ s)
- * Plastic package has underwriters laboratory
- * Glass passivated chip construction
- * 600 watt surge capability at 1ms
- * Excellent clamping capability
- * Low zener impedance
- * Fast response time
- * P/N suffix V means AEC-Q101 qualified, e.g:SMBJ5.0V
- * P/N suffix V means Halogen-free

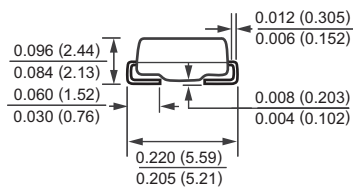
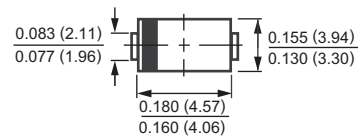
Ratings at 25 °C ambient temperature unless otherwise specified.

MAXIMUM RATINGS AND ELECTRICAL CHARACTERISTICS

Ratings at 25 °C ambient temperature unless otherwise specified.



DO-214AA



Dimensions in inches and (millimeters)

DEVICES FOR BIPOLAR APPLICATIONS

For Bidirectional use C or CA suffix for types SMBJ5.0 thru SMBJ550

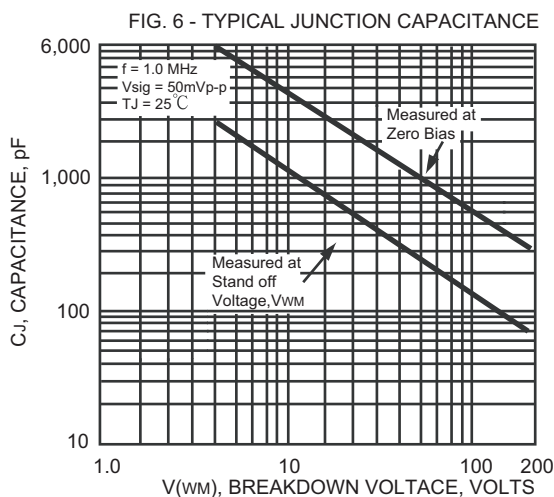
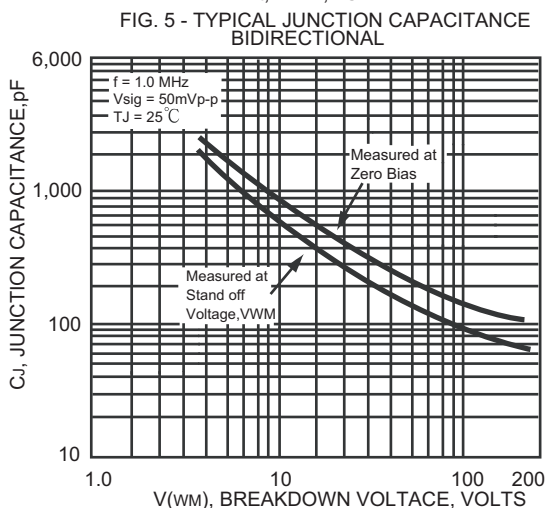
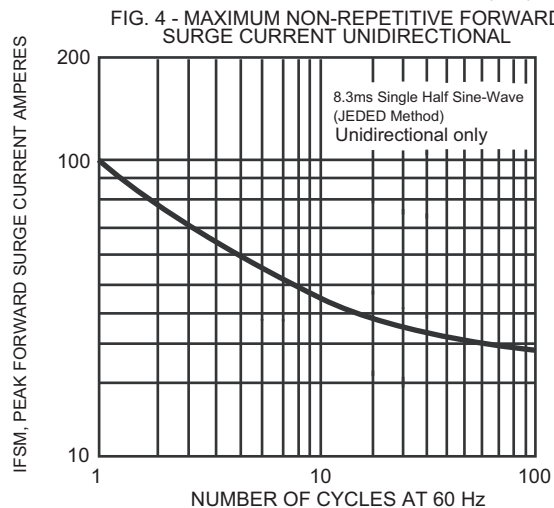
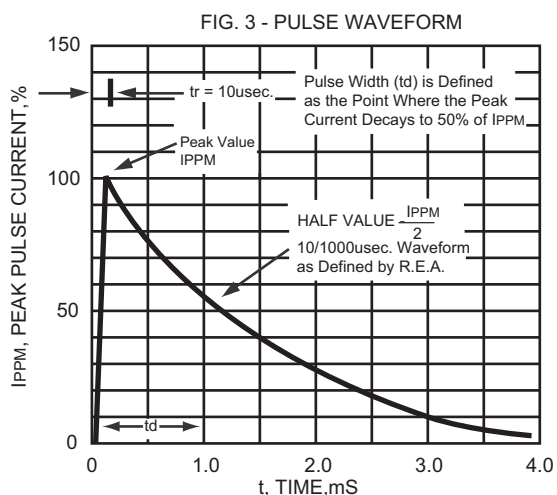
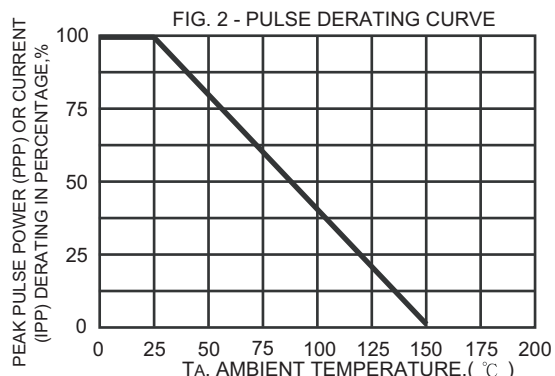
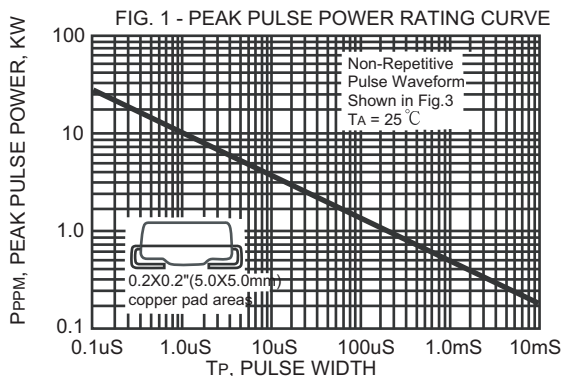
Electrical characteristics apply in both direction

MAXIMUM RATINGS (At $T_A = 25^\circ\text{C}$ unless otherwise noted)

| RATINGS | SYMBOL | VALUE | UNITS |
|---|-----------------------------------|--------------|---------------------------|
| Peak Power Dissipation with a 10/1000uS (Note 1,2, Fig.1) | PPPM | Minimum 600 | Watts |
| Peak Pulse Current with a 10/1000uS waveform (Note 1, Fig.3) | I _{PPM} | SEE TABLE 1 | Amps |
| Steady State Power Dissipation at $T_L = 75^\circ\text{C}$ (Note 2) | P _{M(AV)} | 5.0 | Watts |
| Peak Forward Surge Current 8.3mS single half sine-wave superimposed on rated load (JEDEC method) (Note 2,3) unidirectional only | I _{FSM} | 100 | Amps |
| Typical Current Squared Time | I ² t | 41.5 | A ² Sec |
| Typical Thermal Resistance (Note 1) | R θ _{JA} | 55 | $^\circ\text{C}/\text{W}$ |
| Typical Thermal Resistance (Note 1) | R θ _{JL} | 5 | $^\circ\text{C}/\text{W}$ |
| Maximum Instantaneous Forward Voltage at 50A for unidirectional only (Note 3,4) | V _F | SEE NOTE 5 | Volts |
| Operating and Storage Temperature Range | T _J , T _{STG} | -55 to + 150 | $^\circ\text{C}$ |

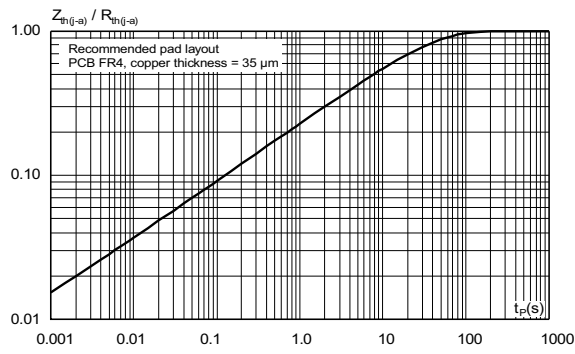
- NOTES : 1. Non-repetitive current pulse, per Fig.3 and derated above $T_A = 25^\circ\text{C}$ per Fig.2.
 2. Mounted on 0.2 X 0.2" (5.0 X 5.0mm) copper pad to each terminal.
 3. Lead temperature at $T_L = 25^\circ\text{C}$
 4. Measured on 8.3mS single half sine-wave duty cycle = 4 pulses per minute maximum.
 5. V_F = 3.5V on TFMBJ-5.0 thru TFMBJ-90 devices and V_F = 5.0V on TFMBJ-100 thru TFMBJ-550 devices.
 6. Thermal Resistance : Mounted on PCB.

RATING AND CHARACTERISTIC CURVES (SMBJ5.0 THRU SMBJ550CA)



RATING AND CHARACTERISTIC CURVES (SMBJ5.0 THRU SMBJ550CA)

FIG. 7 - RELATIVE VARIATION OF THERMAL IMPEDANCE
JUNCTION TO AMBIENT VERSUS PULSE DURATION



TRANSIENT VOLTAGE SUPPRESSORS

600W SERIES TVS DIODES / DO-214AA (CASE 3) 600W

| Rectron Industry No. | Rectron House No. | Breakdown Voltage | | | Reverse Stand off Voltage VWM (Volts) | Maximum Reverse Leakage at VWM ID(uA) | Maximum Peak Pulse Current IPPM (Amps) | Maximum Clamping Voltage at IPPM VC (Volts) |
|----------------------|-------------------|-------------------|------|----------|---------------------------------------|---------------------------------------|--|---|
| | | VBR (Volts) | | @IT (mA) | | | | |
| | | MIN. | MAX. | | | | | |
| SMBJ5.0 | TFMBJ5.0 | 6.40 | 7.82 | 10 | 5.0 | 800.0 | 62.5 | 9.6 |
| SMBJ5.0A | TFMBJ5.0A | 6.40 | 7.07 | 10 | 5.0 | 800.0 | 65.2 | 9.2 |
| SMBJ6.0 | TFMBJ6.0 | 6.67 | 8.15 | 10 | 6.0 | 800.0 | 52.6 | 11.4 |
| SMBJ6.0A | TFMBJ6.0A | 6.67 | 7.37 | 10 | 6.0 | 800.0 | 58.3 | 10.3 |
| SMBJ6.5 | TFMBJ6.5 | 7.22 | 8.82 | 10 | 6.5 | 500.0 | 48.8 | 12.3 |
| SMBJ6.5A | TFMBJ6.5A | 7.22 | 7.98 | 10 | 6.5 | 500.0 | 53.6 | 11.2 |
| SMBJ7.0 | TFMBJ7.0 | 7.78 | 9.51 | 10 | 7.0 | 200.0 | 45.1 | 13.3 |
| SMBJ7.0A | TFMBJ7.0A | 7.78 | 8.60 | 10 | 7.0 | 200.0 | 50.0 | 12.0 |
| SMBJ7.5 | TFMBJ7.5 | 8.33 | 10.2 | 1.0 | 7.5 | 100.0 | 42.0 | 14.3 |
| SMBJ7.5A | TFMBJ7.5A | 8.33 | 9.21 | 1.0 | 7.5 | 100.0 | 46.5 | 12.9 |
| SMBJ8.0 | TFMBJ8.0 | 8.89 | 10.9 | 1.0 | 8.0 | 50.0 | 40.0 | 15.0 |
| SMBJ8.0A | TFMBJ8.0A | 8.89 | 9.83 | 1.0 | 8.0 | 50.0 | 44.1 | 13.6 |
| SMBJ8.5 | TFMBJ8.5 | 9.44 | 11.5 | 1.0 | 8.5 | 20.0 | 37.7 | 15.9 |
| SMBJ8.5A | TFMBJ8.5A | 9.44 | 10.4 | 1.0 | 8.5 | 20.0 | 41.7 | 14.4 |
| SMBJ9.0 | TFMBJ9.0 | 10.0 | 12.2 | 1.0 | 9.0 | 10.0 | 35.5 | 16.9 |
| SMBJ9.0A | TFMBJ9.0A | 10.0 | 11.1 | 1.0 | 9.0 | 10.0 | 39.0 | 15.4 |
| SMBJ10 | TFMBJ10 | 11.1 | 13.6 | 1.0 | 10.0 | 5.0 | 31.9 | 18.8 |
| SMBJ10A | TFMBJ10A | 11.1 | 12.3 | 1.0 | 10.0 | 5.0 | 35.3 | 17.0 |
| SMBJ11 | TFMBJ11 | 12.2 | 14.9 | 1.0 | 11.0 | 1.0 | 29.9 | 20.1 |
| SMBJ11A | TFMBJ11A | 12.2 | 13.5 | 1.0 | 11.0 | 1.0 | 33.0 | 18.2 |
| SMBJ12 | TFMBJ12 | 13.3 | 16.3 | 1.0 | 12.0 | 1.0 | 27.3 | 22.0 |
| SMBJ12A | TFMBJ12A | 13.3 | 14.7 | 1.0 | 12.0 | 1.0 | 30.2 | 19.9 |
| SMBJ13 | TFMBJ13 | 14.4 | 17.6 | 1.0 | 13.0 | 1.0 | 25.2 | 23.8 |
| SMBJ13A | TFMBJ13A | 14.4 | 15.9 | 1.0 | 13.0 | 1.0 | 27.9 | 21.5 |
| SMBJ14 | TFMBJ14 | 15.6 | 19.1 | 1.0 | 14.0 | 1.0 | 23.3 | 25.8 |
| SMBJ14A | TFMBJ14A | 15.6 | 17.2 | 1.0 | 14.0 | 1.0 | 25.9 | 23.2 |
| SMBJ15 | TFMBJ15 | 16.7 | 20.4 | 1.0 | 15.0 | 1.0 | 22.3 | 26.9 |
| SMBJ15A | TFMBJ15A | 16.7 | 18.5 | 1.0 | 15.0 | 1.0 | 24.6 | 24.4 |
| SMBJ16 | TFMBJ16 | 17.8 | 21.8 | 1.0 | 16.0 | 1.0 | 20.8 | 28.8 |
| SMBJ16A | TFMBJ16A | 17.8 | 19.7 | 1.0 | 16.0 | 1.0 | 23.1 | 26.0 |
| SMBJ17 | TFMBJ17 | 18.9 | 23.1 | 1.0 | 17.0 | 1.0 | 19.7 | 30.5 |
| SMBJ17A | TFMBJ17A | 18.9 | 20.9 | 1.0 | 17.0 | 1.0 | 21.7 | 27.6 |
| SMBJ18 | TFMBJ18 | 20.0 | 24.4 | 1.0 | 18.0 | 1.0 | 18.6 | 32.2 |
| SMBJ18A | TFMBJ18A | 20.0 | 22.1 | 1.0 | 18.0 | 1.0 | 20.5 | 29.2 |
| SMBJ20 | TFMBJ20 | 22.2 | 27.1 | 1.0 | 20.0 | 1.0 | 16.8 | 35.8 |
| SMBJ20A | TFMBJ20A | 22.2 | 24.5 | 1.0 | 20.0 | 1.0 | 18.5 | 32.4 |
| SMBJ22 | TFMBJ22 | 24.4 | 29.8 | 1.0 | 22.0 | 1.0 | 15.2 | 39.4 |
| SMBJ22A | TFMBJ22A | 24.4 | 26.9 | 1.0 | 22.0 | 1.0 | 16.9 | 35.5 |
| SMBJ24 | TFMBJ24 | 26.7 | 32.6 | 1.0 | 24.0 | 1.0 | 14.0 | 43.0 |
| SMBJ24A | TFMBJ24A | 26.7 | 29.5 | 1.0 | 24.0 | 1.0 | 15.4 | 38.9 |
| SMBJ26 | TFMBJ26 | 28.9 | 35.3 | 1.0 | 26.0 | 1.0 | 12.9 | 46.6 |
| SMBJ26A | TFMBJ26A | 28.9 | 31.9 | 1.0 | 26.0 | 1.0 | 14.3 | 42.1 |
| SMBJ28 | TFMBJ28 | 31.1 | 38.0 | 1.0 | 28.0 | 1.0 | 12.0 | 50.0 |
| SMBJ28A | TFMBJ28A | 31.1 | 34.4 | 1.0 | 28.0 | 1.0 | 13.2 | 45.4 |
| SMBJ30 | TFMBJ30 | 33.3 | 40.7 | 1.0 | 30.0 | 1.0 | 11.2 | 53.5 |
| SMBJ30A | TFMBJ30A | 33.3 | 36.8 | 1.0 | 30.0 | 1.0 | 12.4 | 48.4 |
| SMBJ33 | TFMBJ33 | 36.7 | 44.9 | 1.0 | 33.0 | 1.0 | 10.2 | 59.0 |
| SMBJ33A | TFMBJ33A | 36.7 | 40.6 | 1.0 | 33.0 | 1.0 | 11.3 | 53.3 |
| SMBJ36 | TFMBJ36 | 40.0 | 48.9 | 1.0 | 36.0 | 1.0 | 9.3 | 64.3 |
| SMBJ36A | TFMBJ36A | 40.0 | 44.2 | 1.0 | 36.0 | 1.0 | 10.3 | 58.1 |



TRANSIENT VOLTAGE SUPPRESSORS

600W SERIES TVS DIODES / DO-214AA (CASE 3) 600W

| Rectron Industry No. | Rectron House No. | Breakdown Voltage | | | Reverse Stand off Voltage V_{WM} (Volts) | Maximum Reverse Leakage at V_{WM} I_D (μ A) | Maximum Peak Pulse Current IPPM (Amps) | Maximum Clamping Voltage at IPPM V_C (Volts) |
|----------------------|-------------------|-------------------|------|----------|--|--|--|--|
| | | VBR (Volts) | | @IT (mA) | | | | |
| | | MIN. | MAX. | | | | | |
| SMBJ40 | TFMBJ40 | 44.4 | 54.3 | 1.0 | 40 | 1.0 | 8.4 | 71.4 |
| SMBJ40A | TFMBJ40A | 44.4 | 49.1 | 1.0 | 40 | 1.0 | 9.3 | 64.5 |
| SMBJ43 | TFMBJ43 | 47.8 | 58.4 | 1.0 | 43 | 1.0 | 7.8 | 76.7 |
| SMBJ43A | TFMBJ43A | 47.8 | 52.8 | 1.0 | 43 | 1.0 | 8.6 | 69.4 |
| SMBJ45 | TFMBJ45 | 50.0 | 61.1 | 1.0 | 45 | 1.0 | 7.5 | 80.3 |
| SMBJ45A | TFMBJ45A | 50.0 | 55.3 | 1.0 | 45 | 1.0 | 8.3 | 72.7 |
| SMBJ48 | TFMBJ48 | 53.3 | 65.1 | 1.0 | 48 | 1.0 | 7.0 | 85.5 |
| SMBJ48A | TFMBJ48A | 53.3 | 58.9 | 1.0 | 48 | 1.0 | 7.8 | 77.4 |
| SMBJ51 | TFMBJ51 | 56.7 | 69.3 | 1.0 | 51 | 1.0 | 6.6 | 91.1 |
| SMBJ51A | TFMBJ51A | 56.7 | 62.7 | 1.0 | 51 | 1.0 | 7.3 | 82.4 |
| SMBJ54 | TFMBJ54 | 60.0 | 73.3 | 1.0 | 54 | 1.0 | 6.2 | 96.3 |
| SMBJ54A | TFMBJ54A | 60.0 | 66.3 | 1.0 | 54 | 1.0 | 6.9 | 87.1 |
| SMBJ58 | TFMBJ58 | 64.4 | 78.7 | 1.0 | 58 | 1.0 | 5.8 | 103 |
| SMBJ58A | TFMBJ58A | 64.4 | 71.2 | 1.0 | 58 | 1.0 | 6.4 | 93.6 |
| SMBJ60 | TFMBJ60 | 66.7 | 81.5 | 1.0 | 60 | 1.0 | 5.6 | 107 |
| SMBJ60A | TFMBJ60A | 66.7 | 73.7 | 1.0 | 60 | 1.0 | 6.2 | 96.8 |
| SMBJ64 | TFMBJ64 | 71.1 | 86.9 | 1.0 | 64 | 1.0 | 5.3 | 114 |
| SMBJ64A | TFMBJ64A | 71.1 | 78.6 | 1.0 | 64 | 1.0 | 5.8 | 103 |
| SMBJ70 | TFMBJ70 | 77.8 | 95.1 | 1.0 | 70 | 1.0 | 4.8 | 125 |
| SMBJ70A | TFMBJ70A | 77.8 | 86.0 | 1.0 | 70 | 1.0 | 5.3 | 113 |
| SMBJ75 | TFMBJ75 | 83.3 | 102 | 1.0 | 75 | 1.0 | 4.5 | 134 |
| SMBJ75A | TFMBJ75A | 83.3 | 92.1 | 1.0 | 75 | 1.0 | 5.0 | 121 |
| SMBJ78 | TFMBJ78 | 86.7 | 106 | 1.0 | 78 | 1.0 | 4.3 | 139 |
| SMBJ78A | TFMBJ78A | 86.7 | 95.8 | 1.0 | 78 | 1.0 | 4.8 | 126 |
| SMBJ85 | TFMBJ85 | 94.4 | 115 | 1.0 | 85 | 1.0 | 4.0 | 151 |
| SMBJ85A | TFMBJ85A | 94.4 | 104 | 1.0 | 85 | 1.0 | 4.4 | 137 |
| SMBJ90 | TFMBJ90 | 100 | 122 | 1.0 | 90 | 1.0 | 3.8 | 160 |
| SMBJ90A | TFMBJ90A | 100 | 111 | 1.0 | 90 | 1.0 | 4.1 | 146 |
| SMBJ100 | TFMBJ100 | 111 | 136 | 1.0 | 100 | 1.0 | 3.4 | 179 |
| SMBJ100A | TFMBJ100A | 111 | 123 | 1.0 | 100 | 1.0 | 3.7 | 162 |
| SMBJ110 | TFMBJ110 | 122 | 149 | 1.0 | 110 | 1.0 | 3.1 | 196 |
| SMBJ110A | TFMBJ110A | 122 | 135 | 1.0 | 110 | 1.0 | 3.4 | 177 |
| SMBJ120 | TFMBJ120 | 133 | 163 | 1.0 | 120 | 1.0 | 2.8 | 214 |
| SMBJ120A | TFMBJ120A | 133 | 147 | 1.0 | 120 | 1.0 | 3.1 | 193 |
| SMBJ130 | TFMBJ130 | 144 | 176 | 1.0 | 130 | 1.0 | 2.6 | 231 |
| SMBJ130A | TFMBJ130A | 144 | 159 | 1.0 | 130 | 1.0 | 2.9 | 209 |
| SMBJ150 | TFMBJ150 | 167 | 204 | 1.0 | 150 | 1.0 | 2.2 | 268 |
| SMBJ150A | TFMBJ150A | 167 | 185 | 1.0 | 150 | 1.0 | 2.5 | 243 |
| SMBJ160 | TFMBJ160 | 178 | 218 | 1.0 | 160 | 1.0 | 2.1 | 287 |
| SMBJ160A | TFMBJ160A | 178 | 197 | 1.0 | 160 | 1.0 | 2.3 | 259 |
| SMBJ170 | TFMBJ170 | 189 | 231 | 1.0 | 170 | 1.0 | 2.0 | 304 |
| SMBJ170A | TFMBJ170A | 189 | 209 | 1.0 | 170 | 1.0 | 2.2 | 275 |

- Notes :
1. V_{BR} measured after I_T applied for 300ms. I_T = square pulse or equivalent.
 2. For bidirectional use C or CA suffixs for all types (ex. SMBJ5.0C,SMBJ170CA) electrical characteristics apply in both directions.
 3. For bidirectional types having V_{WM} of 10 volts and less, the I_D limit is doubled.
 4. All devices UL listed file# E211196.



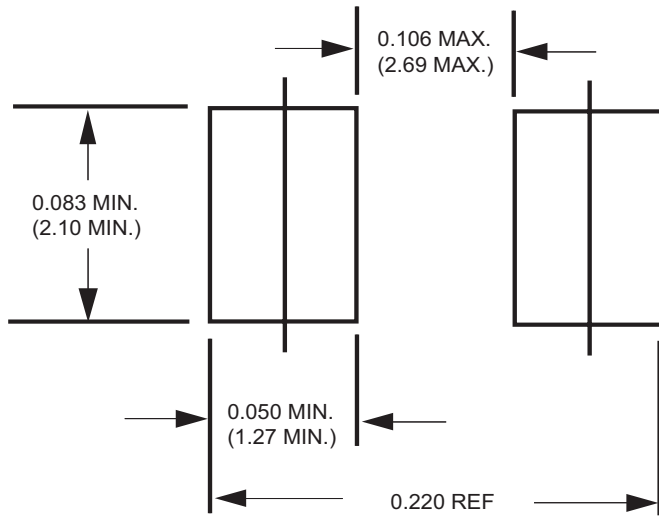
TRANSIENT VOLTAGE SUPPRESSORS

600W SERIES TVS DIODES / DO-214AA (CASE 3) 600W

| Rectron Industry No. | Rectron House No. | Breakdown Voltage | | | Reverse Stand off Voltage V_{WM} (Volts) | Maximum Reverse Leakage at V_{WM} I_D (μ A) | Maximum Peak Pulse Current IPPM (Amps) | Maximum Clamping Voltage at IPPM V_C (Volts) |
|----------------------|-------------------|-------------------|------|-------------|--|--|--|--|
| | | V_{BR} (Volts) | | $@I_T$ (mA) | | | | |
| | | MIN. | MAX. | | | | | |
| SMBJ180A | TFMBJ180A | 201 | 222 | 1.0 | 180 | 1.0 | 292 | |
| SMBJ190A | TFMBJ190A | 209 | 243 | 1.0 | 190 | 1.0 | 308 | |
| SMBJ200A | TFMBJ200A | 224 | 247 | 1.0 | 200 | 1.0 | 324 | |
| SMBJ210A | TFMBJ210A | 231 | 268 | 1.0 | 210 | 1.0 | 340 | |
| SMBJ220A | TFMBJ220A | 246 | 272 | 1.0 | 220 | 1.0 | 358 | |
| SMBJ250A | TFMBJ250A | 279 | 309 | 1.0 | 250 | 1.0 | 405 | |
| SMBJ300A | TFMBJ300A | 335 | 371 | 1.0 | 300 | 1.0 | 486 | |
| SMBJ350A | TFMBJ350A | 391 | 432 | 1.0 | 350 | 1.0 | 567 | |
| SMBJ400A | TFMBJ400A | 447 | 494 | 1.0 | 400 | 1.0 | 648 | |
| SMBJ440A | TFMBJ440A | 492 | 543 | 1.0 | 440 | 1.0 | 713 | |
| SMBJ480A | TFMBJ480A | 536 | 593 | 1.0 | 480 | 1.0 | 750 | |
| SMBJ520A | TFMBJ520A | 578 | 640 | 1.0 | 520 | 1.0 | 762 | |
| SMBJ550A | TFMBJ550A | 615 | 680 | 1.0 | 550 | 1.0 | 860 | |

- Notes :
1. V_{BR} measured after I_T applied for 300ms. I_T = square pulse or equivalent.
 2. For bidirectional use C or CA suffixs for all types (ex. SMBJ5.0C,SMBJ170CA) electrical characteristics apply in both directions.
 3. For bidirectional types having V_{WM} of 10 volts and less, the I_D limit is doubled.
 4. All devices UL listed file# E211196.

Mounting Pad Layout



Dimensions in inches and (millimeters)

REEL TAPING SPECIFICATIONS FOR SURFACE MOUNT DEVICES-FLAT MELF (SMA/SMB/SMC)

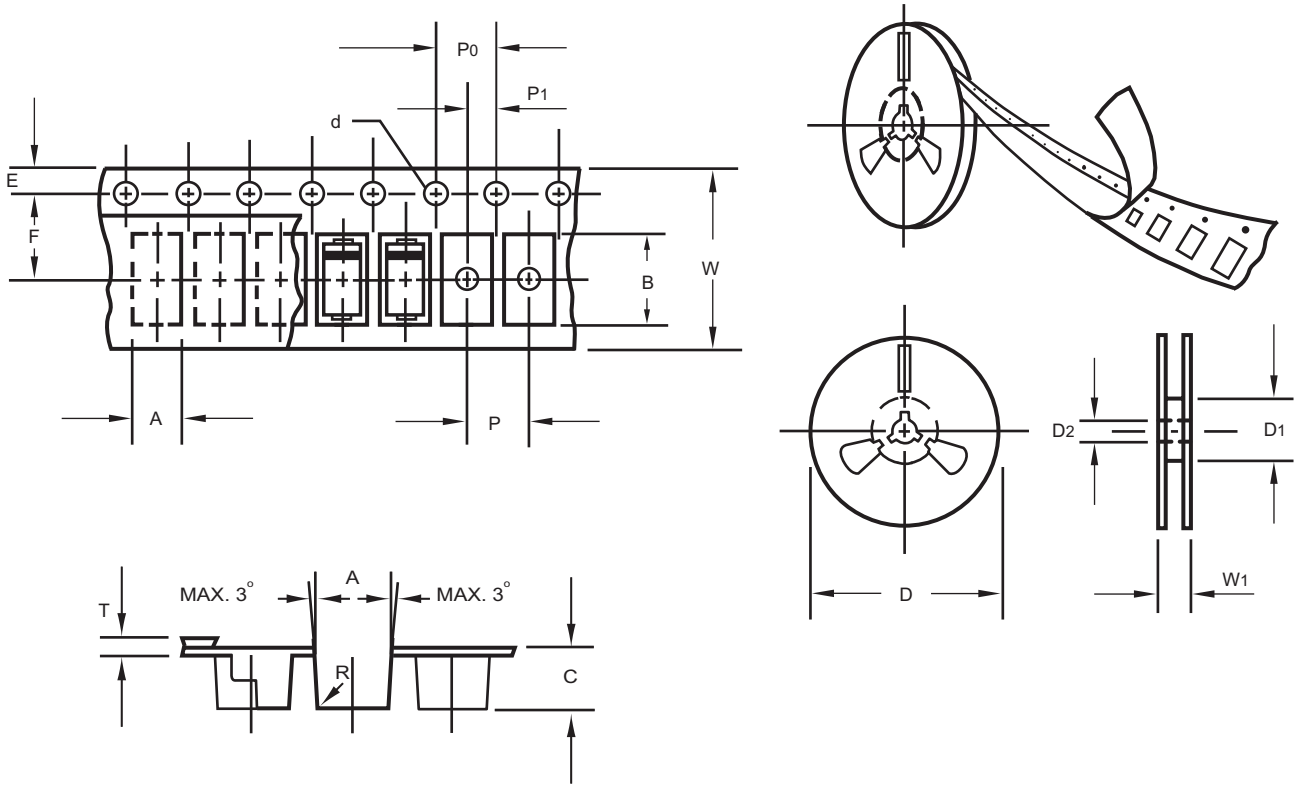


Fig.: Configuration of FLAT MELF TAPING
(SMA/SMB/SMC)

| ITEM | SYMBOL | DO214AC (SMA) mm(inch) | DO214AA (SMB) mm(inch) | DO214AB (SMC) mm(inch) |
|------------------------|--------|---------------------------|---------------------------|---------------------------|
| Carrier width | A | 2.6 ± 0.15 (.102 ± .006) | 3.65 ± 0.1 (.144 ± .004) | 6.0 ± 0.1 (.236 ± .004) |
| Carrier length | B | 5.15 ± 0.15 (.203 ± .006) | 5.69 ± 0.1 (.224 ± .004) | 8.30 ± 0.1 (.327 ± .004) |
| Carrier depth | C | 2.3 ± 0.15 (.091 ± .006) | 2.67 ± 0.1 (.105 ± .004) | 2.5 ± 0.1 (.098 ± .004) |
| Sprocket hole | d | 1.5 ± 0.1 (.059 ± .004) | 1.5 ± 0.1 (.059 ± .004) | 1.5 ± 0.1 (.059 ± .004) |
| Reel outside diameter | D | 178 ± 2.0 (7.0 ± .079) | 178 ± 2.0 (7.0 ± .079) | 178 ± 2.0 (7.0 ± .079) |
| Reel inner diameter | D1 | 50 Min. | 50 Min. | 50 Min. |
| Feed hole diameter | D2 | 13 ± 0.5 (.512 ± .020) | 13 ± 0.5 (.512 ± .020) | 13 ± 0.5 (.512 ± .020) |
| Sprocket hole position | E | 1.5 ± 0.1 (.059 ± .004) | 1.5 ± 0.1 (.059 ± .004) | 1.5 ± 0.1 (.059 ± .004) |
| Punch hole position | F | 5.65 ± 0.05 (.222 ± .002) | 5.65 ± 0.05 (.222 ± .002) | 7.65 ± 0.05 (.301 ± .002) |
| Punch hole pitch | P | 4.0 ± 0.1 (.157 ± .004) | 8.0 ± 0.1 (.315 ± .004) | 8.0 ± 0.1 (.315 ± .004) |
| Sprocket hole pitch | P0 | 4.0 ± 0.1 (.157 ± .004) | 4.0 ± 0.1 (.157 ± .004) | 4.0 ± 0.1 (.157 ± .004) |
| Embossment center | P1 | 2.0 ± 0.1 (.079 ± .004) | 2.0 ± 0.1 (.079 ± .004) | 4.0 ± 0.1 (.157 ± .004) |
| Total tape thickness | T | 0.30 ± .05 (.012 ± .002) | 0.6 Max. | 0.6 Max. |
| Tape width | W | 12.0 ± 0.2 (.472 ± .008) | 12.0 ± 0.2 (.472 ± .008) | 16.0 ± 0.2 (.630 ± .008) |
| Reel width | W1 | 16.8 ± 2.0 (.661 ± .079) | 16.8 ± 2.0 (.661 ± .079) | 24.0 ± 2.0 (.945 ± .079) |

Notes: 1.Devices are packed in accordance with EIA standard RS-481-A and specification given above.
2.Available on 7 inch (1500 ct.) or 13 inch (5000 ct.) diameter reels.

PACKAGING OF DIODE AND BRIDGE RECTIFIERS

REEL PACK

| PACKAGE | PACKING CODE | EA PER REEL | EA PER INNER BOX | COMPONENT SPACE (mm) | TAPE SPACE (mm) | REEL DIA (mm) | CARTON SIZE (mm) | EA PER CARTON | GROSS WEIGHT(Kg) |
|---------|--------------|-------------|------------------|----------------------|-----------------|---------------|------------------|---------------|------------------|
| SMB | -W/-T | 3,000 | 6,000 | --- | --- | 330 | 360*355*360 | 48,000 | 13.90 |



Attachment information about SMBJXXX

1. Internal Circuit



2. Marking on the body

