

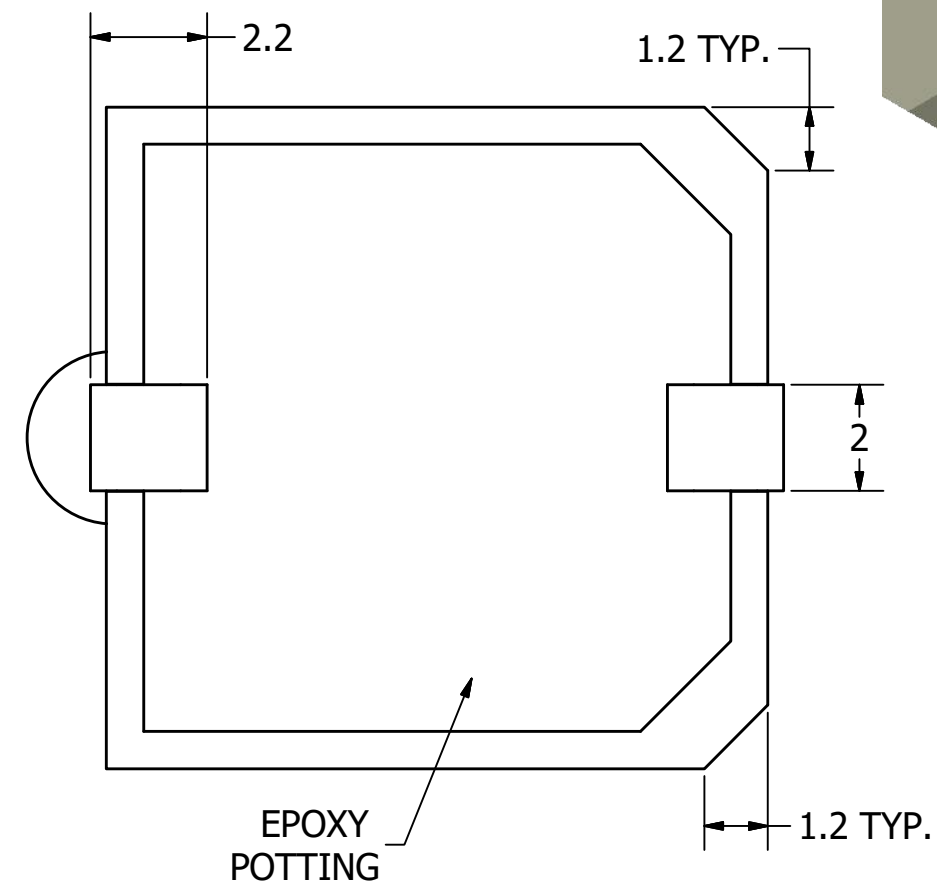
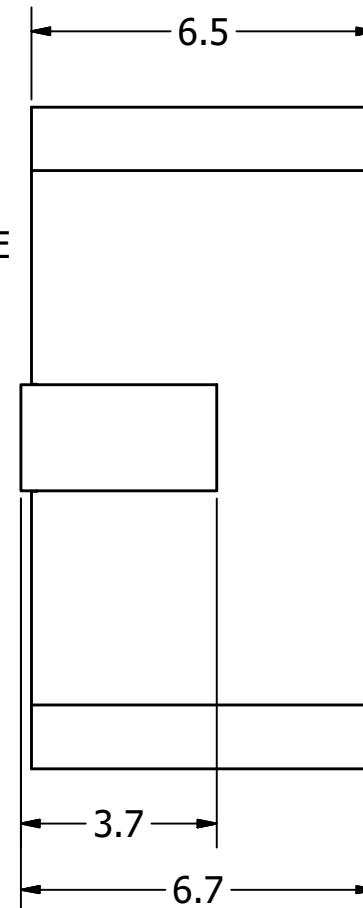
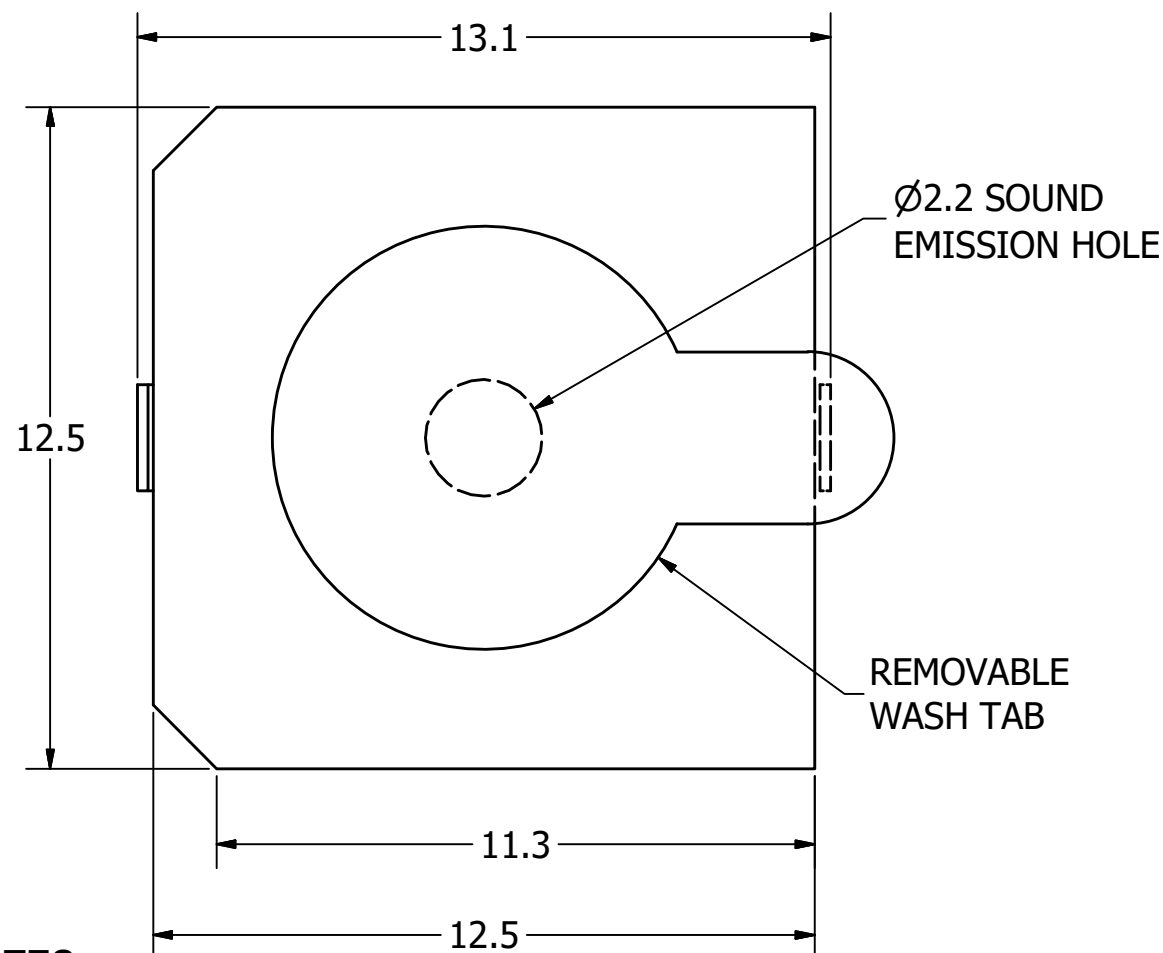
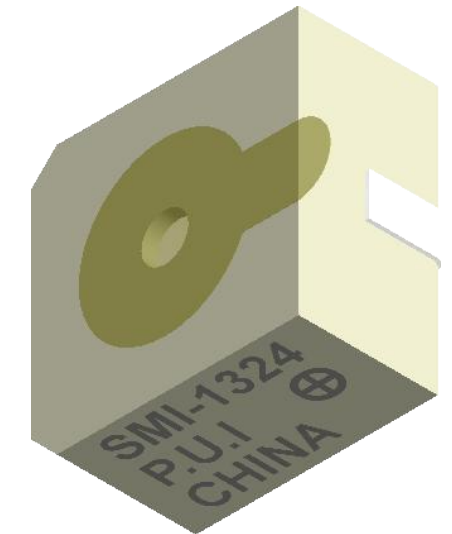
SPECIFICATIONS

| PARAMETERS | VALUES | UNITS |
|-------------------------|-----------------|-------------|
| RATED VOLTAGE | 5 | Vdc |
| OPERATING VOLTAGE RANGE | 4 ~ 7 | Vdc |
| RATED CURRENT (MAX) | 30 | mA |
| MINIMUM SPL @ 10 CM | 85 | dBA |
| RESONANT FREQUENCY | 2,400 ± 300 | Hz |
| TONE OR PULSE RATE | CONTINUOUS | 0 pulse/sec |
| OPERATING TEMPERATURE | -30 ~ +70 | °C |
| STORAGE TEMPERATURE | -40 ~ +85 | °C |
| HOUSING MATERIAL | PA46 | - |
| TERMINAL MATERIAL | Sn PLATED BRASS | - |
| WEIGHT | 5 | grams |

THIS DOCUMENT CONTAINS DATA PROPRIETARY TO PROJECTS UNLIMITED, INC. ANY USE OR REPRODUCTION, IN ANY FORM, WITHOUT PRIOR WRITTEN PERMISSION OF PROJECTS UNLIMITED, INC. IS PROHIBITED.
©2003, Projects Unlimited Inc.

REVISION HISTORY

| LTR | DESCRIPTION | DATE | APPROVED |
|-----|--|-----------|----------|
| - | RELEASED FROM ENGINEERING | 4/7/2005 | |
| A | REVISED NOTE 3 & ADDED NOTE 4 | 11/2/2005 | B.R. |
| B | REVISED TO INVENTOR 3-D DRAWING TEMPLATE | 6/1/2010 | B.R. |
| C | REVISED TEMPERATURE SPECIFICATIONS | 2/28/2020 | M.V. |



NOTES:

1. ALL DIMENSIONS ARE IN MILLIMETERS.
2. SPECIFICATIONS SUBJECT TO CHANGE OR WITHDRAWL WITHOUT NOTICE.
3. THIS PART IS RoHS 2002/95/EC COMPLIANT.
4. MAXIMUM REFLOW TEMPERATURE IS 260°C.

| | | | | | | | | |
|--|-------------------|-------------|----------|--------------------------------------|------|-------------|----------|------------|
| UNLESS OTHERWISE SPECIFIED: DIMENSIONS ARE IN MILLIMETERS, TOLERANCES ARE ±0.5 AND ANGLES ARE ±3°. | SIZE A3 | Designed by | Date | Checked by | Date | Approved by | Date | Drawn Date |
| | | R.A.C. | 4/7/2005 | | | R.W. | 4/7/2005 | 6/1/2010 |
| SMI-1324-TW-5V-R.idw | | | | SMI-1324-TW-5V-R Indicator | | | | |
| | | | | Edition | | Sheet | | |
| | | | | - | | 1 / 1 | | |