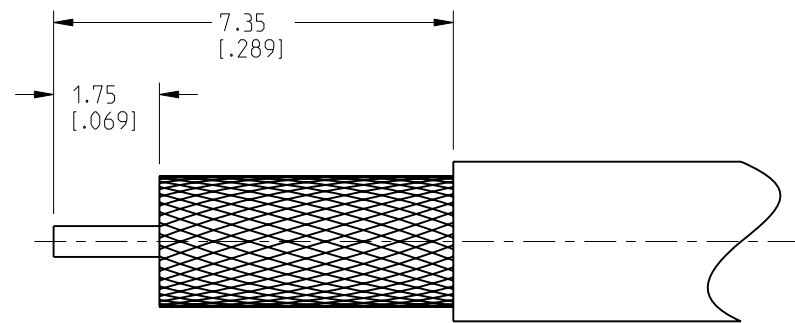


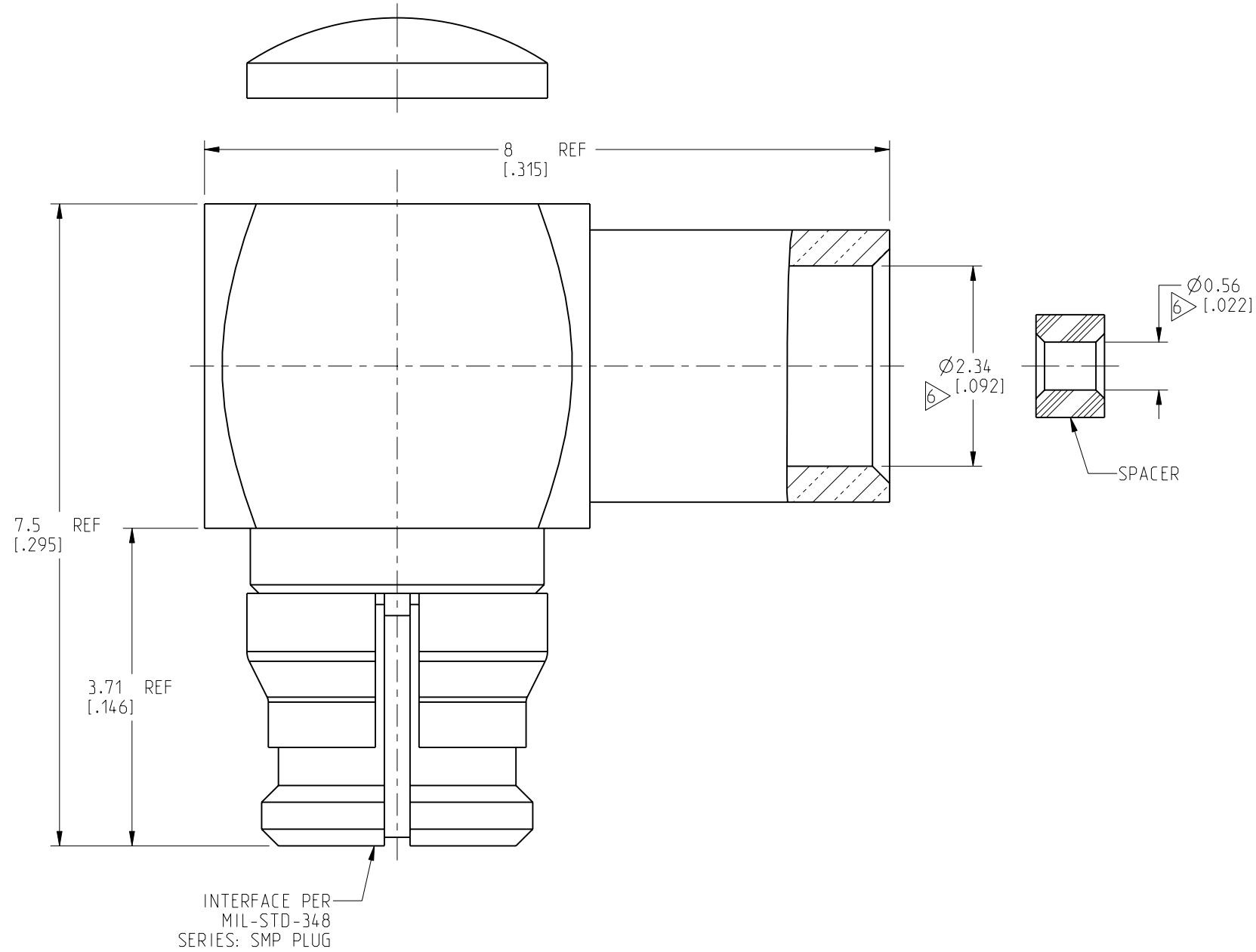
NOTES:

1. MATERIALS AND FINISHES:  
 BODY, CONTACT - BERYLLIUM COPPER, GOLD PLATING  
 RETAINING RING - BERYLLIUM COPPER, NICKEL PLATING  
 INSULATOR - PTFE, NATURAL  
 SPACER - PTFE, NATURAL  
 CAP - BRASS, NICKEL PLATING
2. ELECTRICAL:  
 A. IMPEDANCE: 50 OHM  
 B. FREQUENCY RANGE: DC-26.5 GHz  
 C. VSWR (RETURN LOSS): 1.20 (20.8 dB), MAX. @ DC-18 GHz  
 1.40 (15.6 dB), MAX. @ 18-26.5 GHz  
 D. DIELECTRIC WITHSTANDING VOLTAGE: 500 VRMS, MIN.
3. MECHANICAL:  
 A. DURABILITY: 100 CYCLES MIN. WHEN MATED WITH FULL DETENT JACK  
 500 CYCLES MIN. WHEN MATED WITH LIMITED DETENT JACK  
 1000 CYCLES MIN. WHEN MATED WITH SMOOTH BORE JACK  
 B. TEMPERATURE RANGE: -65°C TO 165°C
4. PACKAGING:  
 A. QUANTITY: SINGLE PACK  
 B. MARKING: PACKAGING TO BE MARKED  
 "AMPHENOL RF, SMP-FR-C07-2-R & DATE CODE"
5. ASSEMBLY INSTRUCTIONS:  
 A. STRIP CABLE TO DIMENSIONS SHOWN.  
 B. SLIDE SPACER OVER CABLE CENTER CONDUCTOR.  
 C. INSERT CABLE INTO BARREL, SOLDER CABLE CENTER CONDUCTOR  
 TO CENTER CONTACT AND CABLE OUTER CONDUCTOR TO BARREL.  
 D. PRESS CAP INTO TOP OF CONNECTOR.

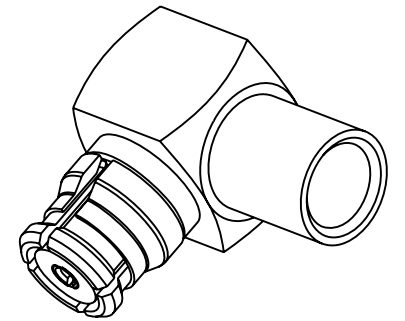
6 SHOWS CABLE ENTRY DIMENSIONS.



RECOMMENDED CABLE STRIPPING DIMENSIONS



INTERFACE PER MIL-STD-348 SERIES: SMP PLUG



**CUSTOMER OUTLINE DRAWING**

ALL OTHER SHEETS ARE FOR INTERNAL USE ONLY

NOTICE: These drawings, specifications, or other data (1) are, and remain the property of Amphenol corp. (2) must be returned upon request; and (3) are confidential and not to be disclosed to any person other than those to whom they are given by Amphenol Corp. The furnishing of these drawings, specifications, or other data by Amphenol Corp., or to any other person to anyone for any purpose is not to be regarded by implication or otherwise in any manner licensing, granting rights to permitting such holder or any other person to manufacture, use or sell any product, process or design, patented or otherwise, that may in any way be related to or disclosed by said drawings, specifications, or other data.

UNLESS OTHERWISE SPECIFIED DIMENSIONS ARE METRIC (INCHES) AND TOLERANCES ARE:  
 <0.5mm = ±0.05mm [ $<0.020 = \pm 0.002$ ]  
 >0.5 - 6mm = ±0.1mm [ $>0.020 - 0.236 = \pm 0.004$ ]  
 >6.00 - 30mm = ±0.2mm [ $>0.236 - 1.181 = \pm 0.008$ ]  
 >30.00 - 120mm = ±0.3mm [ $>1.181 - 4.725 = \pm 0.012$ ]  
 ANGLES = ±1°

MATERIAL: SEE NOTE 1  
 ENGR.1: M.ZHANG ENGR.2: DATE: 01-Jul-21

TITLE: SMP R/A PLUG WITH RETAINING RING FOR .086" FLEXIBLE CABLE  
 SHEET NO. 2 OF 2 SCALE: 15.0:1.0

Amphenol RF		SIZE: B	DRAWING NO. SMP-FR-C07-2-R	REV: A
			ITEM NO. SMP-FR-C07-2-R	
			PART NO. SMP-FR-C07-2-R	