

NOTES:

1. MATERIALS AND FINISHES:  
 BODY & CONTACT - BeCu, GOLD PLATING  
 INSULATOR - PTFE, NATURAL

2. ELECTRICAL:  
 A. IMPEDANCE: 50 OHM  
 B. FREQUENCY RANGE: DC - 40 GHz  
 C. VSWR (RETURN LOSS): 1.07 MAX. (-30 dB MIN.) @ DC - 4 GHz  
 1.22 MAX. (-20 dB MIN.) @ 4 - 18 GHz  
 1.43 MAX. (-15 dB MIN.) @ 18 - 26.5 GHz  
 1.50 MAX. (-14 dB MIN.) @ 26.5 - 40 GHz  
 D. DIELECTRIC WITHSTANDING VOLTAGE: 500 VRMS, MIN.

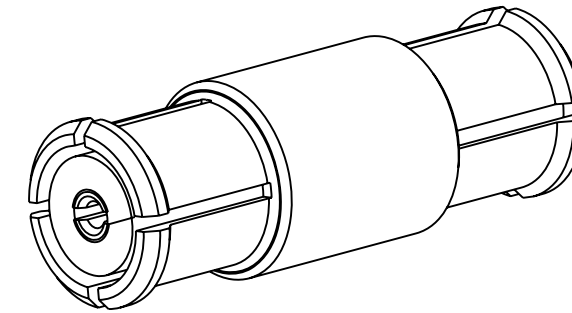
3. MECHANICAL:  
 A. DURABILITY: 100 CYCLES MIN. WHEN MATED FULL DETENT JACK  
 500 CYCLES MIN. WHEN MATED LIMITED DETENT JACK  
 1000 CYCLES MIN. WHEN MATED A SMOOTH BORE JACK  
 B. TEMPERATURE RANGE: -65°C TO +165°C  
 C. MATING FORCES (PER DSCC #94007):  
 ENGAGEMENT: DISENGAGEMENT:  
 FULL DETENT: 15 LBS (67 N) MAX. FULL DETENT: 2 LBS (9 N) MIN.  
 LIMITED DETENT: 10 LBS (45 N) MAX. LIMITED DETENT: 2 LBS (9 N) MIN.  
 SMOOTH BORE: 2 LBS (9 N) MAX. SMOOTH BORE: 0.5 LBS (2.2 N) MIN.

4. PACKAGING:  
 A. QUANTITY: SINGLE PACK  
 B. MARKING: BAG TO BE MARKED  
 "AMPHENOL RF, SMP-FS2A-990-NM AND DATE CODE".

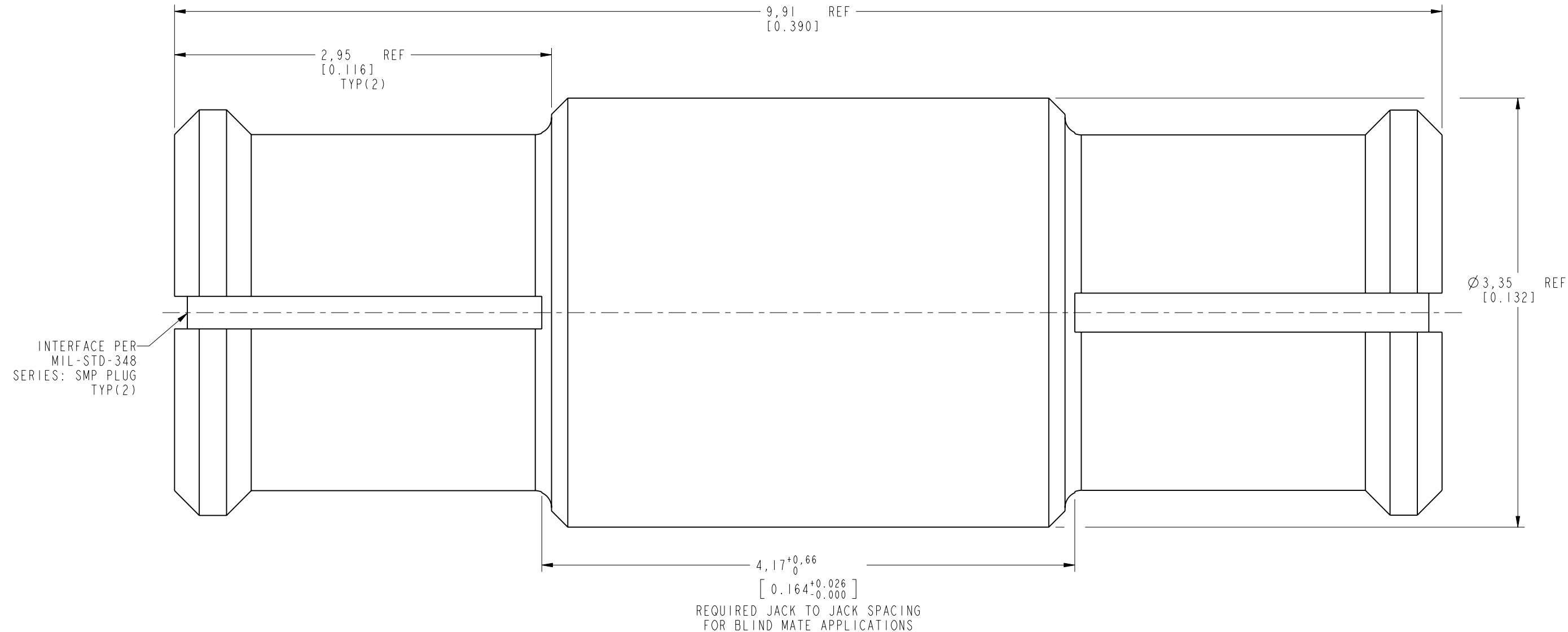
THIRD ANGLE PROJ.

REVISIONS

REV	DESCRIPTION	DATE	ECN	APPR
A	RELEASE TO MFG.	21-Feb-19	10982	SV



SCALE 8.000



**CUSTOMER OUTLINE DRAWING**  
 ALL OTHER SHEETS ARE FOR INTERNAL USE ONLY

UNLESS OTHERWISE SPECIFIED, DIMENSIONS ARE IN METRIC AND TOLERANCES ARE: <0.5mm ± 0.05mm    0.5 - 6mm ± 0.1mm    6 - 30mm ± 0.2mm    30 - 120mm ± 0.3mm    ANGLES ± 1°	MATERIAL SEE NOTES	DRAWN S. DUAN	DATE 25-Mar-19	TITLE SMP STR BULLET ASSEMBLY, 9.91 MM NON-MAGNETIC	Amphenol RF www.amphenolrf.com
	REFERENCE EAR# 8889	ENGINEER S. VO	DATE 21-Feb-19		
NOTICE - These drawings, specifications, or other data (1) are, and remain the property of Amphenol corp. (2) must be returned upon request; and (3) are confidential and not to be disclosed to any person other than those to whom they are given by Amphenol Corp. the furnishing of these drawings, specifications, or other data by Amphenol Corp., or to any other person to anyone for any purpose is not to be regarded by implication or otherwise in any manner licensing, granting rights to permitting such holder or any other person to manufacture, use or sell any product, process or design, patented or otherwise, that may in any way be related to or disclosed by said drawings, specifications, or other data.	REF: CONFIGURATION LEVEL: In Work	APPROVED S. HSIEH	DATE 27-Mar-19	SCALE: 30.0:1.0   SHEET 2 OF 2	ITEM NO. SMP-FS2A-990-NM
	FINISH	CAD FILE	DWG SIZE B	REV A	PART NO. SMP-FS2A-990-NM