

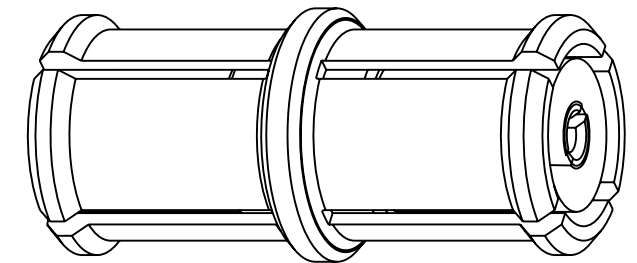
NOTES:

1. MATERIALS AND FINISHES:  
 BODY - BeCu, GOLD PLATING, .000030" [0.8 um] THICK OVER NICKEL  
 CONTACT - BeCu, GOLD PLATING, .000030" [0.8 um] THICK OVER NICKEL  
 INSULATOR - PTFE, NATURAL
2. ELECTRICAL:  
 A. IMPEDANCE: 50 OHM  
 B. FREQUENCY RANGE: DC - 26.5 GHz  
 C. VSWR(RETURN LOSS): 1.2 (20.8 dB), MAX. DC-10GHz  
                                   1.4 (15.6 dB), MAX. 10-18GHz  
                                   1.5 (14 dB), MAX. 18-26.5GHz  
 D. DIELECTRIC WITHSTANDING VOLTAGE: 500 VRMS, MIN.
3. MECHANICAL:  
 A. DURABILITY: 100 CYCLES MIN.  
 B. TEMPERATURE RANGE: -65°C TO 165°C  
 C. ENGAGEMENT FORCE: 15 LB [67 N] MAX  
 D. DISENGAGEMENT FORCE: 2 LB [9 N] MIN
4. PACKAGING:  
 A. QUANTITY: SINGLE PACK  
 B. MARKING: BAG TO BE MARKED  
     "AMPHENOL, SMP-FSBA-739, AND DATE CODE"

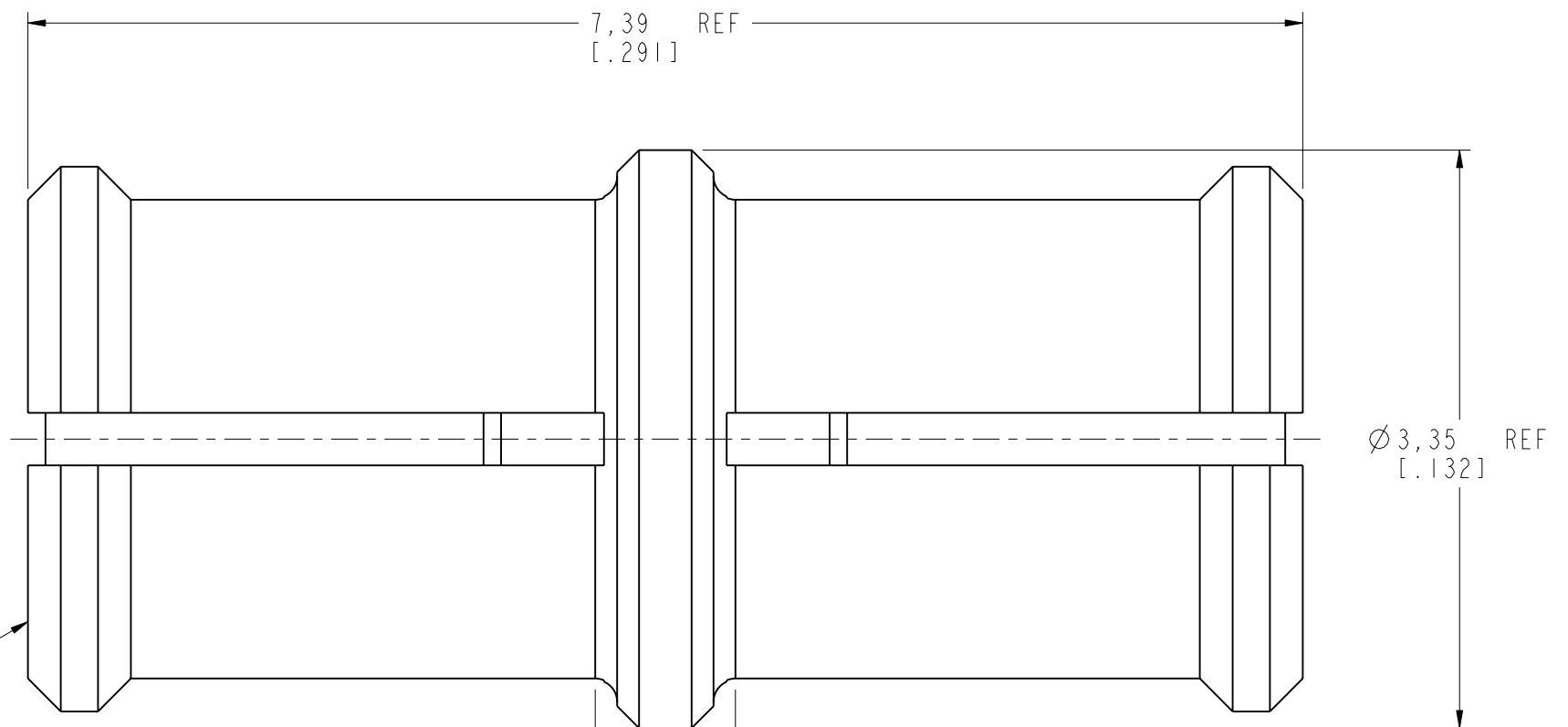
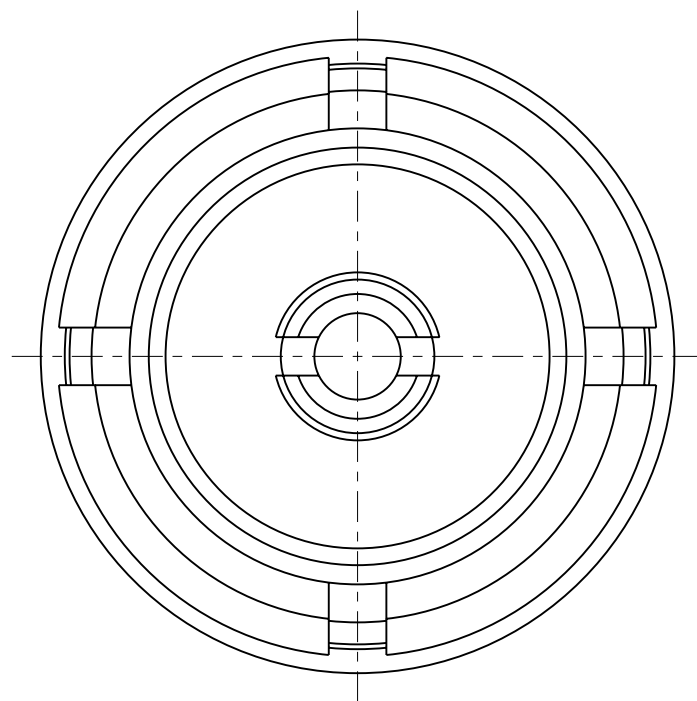
THIRD ANGLE PROJ.

REVISIONS

REV	DESCRIPTION	DATE	ECO	APPR
A	RELEASE TO MFG	18-Apr-14	49521	DD



SCALE 10.000



INTERFACE PER  
MIL-STD-348  
SERIES SMP  
(BOTH SIDES)

.032+0.010/-0.000  
[0.81+0.25/-0.00]  
REQUIRED JACK TO JACK SPACING  
FOR BLIND MATE APPLICATIONS

**CUSTOMER OUTLINE DRAWING**

ALL OTHER SHEETS ARE FOR INTERNAL USE ONLY

UNLESS OTHERWISE SPECIFIED, DIMENSIONS ARE IN METRIC AND TOLERANCES ARE:  
 <0.5mm ±0.05mm    0.5 - 6mm ±0.1mm    6 - 30mm ±0.2mm    30 - 120mm ±0.3mm    ANGLES ±1°

NOTICE - These drawings, specifications, or other data (1) are, and remain the property of Amphenol corp. (2) must be returned upon request; and (3) are confidential and not to be disclosed to any person other than those to whom they are given by Amphenol Corp. the furnishing of these drawings, specifications, or other data by Amphenol Corp., or to any other person to anyone for any purpose is not to be regarded by implication or otherwise in any manner licensing, granting rights to permitting such holder or any other person to manufacture, use or sell any product, process or design, patented or otherwise, that may in any way be related to or disclosed by said drawings, specifications, or other data.

MATERIAL -	DRAWN M. ZHANG	DATE 18-Apr-14	TITLE SMP BULLET PLUG F-F, 7.39MM LENGTH	Amphenol RF www.amphenolrf.com		
	ENGINEER OWEN BARTHELMES	DATE 06-Feb-13				
	REFERENCE EAR # 1693    AND    615X-1718-100	APPROVED S. HSIEH	DATE 18-Apr-14	SCALE: 25.0:1.0	SHEET 2 OF 2	DRAWING NO. SMP-FSBA-739
	CONFIGURATION LEVEL: <input type="checkbox"/> <input type="checkbox"/> <input type="checkbox"/>	FINISH	CAD FILE	DWG SIZE B	REV A	ITEM NO. SMP-FSBA-739 PART NO. SMP-FSBA-739