

SMP 50Ω Microwave Coaxial Connectors thru 40GHz Also available SMPM (Mini SMP)

An Interconnect solution for high frequency, high data rate applications. In the same scale as the MMCX, this push-on or snap-on system offers superior performance. Normally a Cable to Board application which, with a 'bullet float' adapter can be used in Board to Board applications. The Board to Board solution is unique in that one side can use a snap-on configuration to hold the adapter in place while the push-on configuration is employed for the mating side.

Electrical

Impedance	- 50Ω
Frequency Range	- DC-40GHz
VSWR	- <1.5 (DC-20GHz)
Insertion Loss	- 0.1dB max @ 1GHz
Working Voltage	- 335Vrms
Contact Current	- 1.2A DC max

Materials

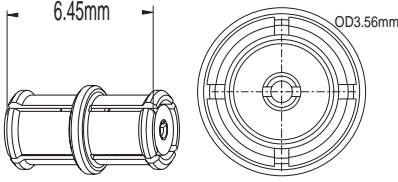
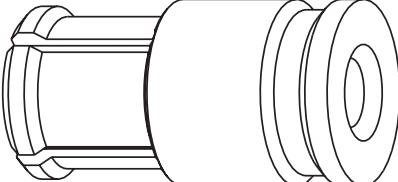
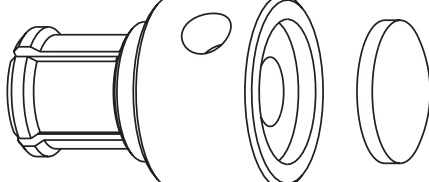
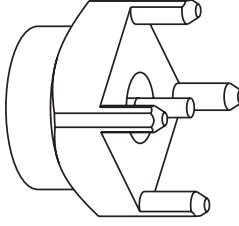
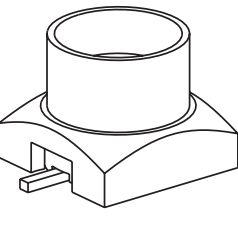
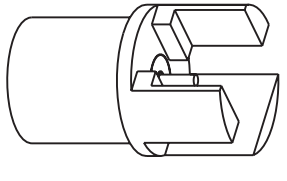
Female Body	- Gold over Brass
Male Body	- Gold over Beryllium Copper
Pin Contact	- Gold over Brass
Socket Contact	- Gold over Beryllium Copper
Insulator	- PTFE
Crimp Sleeve	- Copper Alloy

Features and Benefits

Push-on or Snap-on	
Accommodates Axial or Radial Misalignment	
Temperature	- -65°C ~ 155°C
Durability	- 100 with Detent Cycles - >500 Limited Detent

Applications

Aerospace, Routers, Broadband, Telecom and Instruments

 <p>Bullet (Jack to Jack)</p>		 <p>Straight Jack</p>		 <p>Right Angle Jack</p>	
Part Number	Description	Part Number	Description	Part Number	Description
SMP-FSBA-645	6.45mm	SMP-FS-C06	.047 Semi Rigid	SMP-FR-C06	.047 Semi Rigid
990 – 9.9mm/ 145 – 14.5mm/ 224 – 22.4mm		SMP-FS-C07	.086 Semi Rigid	SMP-FR-C07	.086 Semi Rigid
 <p>Straight PCB Thru-Hole Plug</p>		 <p>Straight SMT Plug</p>		 <p>Straight PCB Edge Mount</p>	
Part Number	Description	Part Number	Description	Part Number	Description
SMP-MSCM-PCT	Catcher's Mitt	SMP-MSCM-PCS	Catcher's Mitt	SMP-MSCM-PCE	Catcher's Mitt
SMP-MSFD-PCT	Full Detent	SMP-MSFD-PCS	Full Detent	SMP-MSFD-PCE	Full Detent
SMP-MSLD-PCT	Limited Detent	SMP-MSLD-PCS	Limited Detent	SMP-MSLD-PCE	Limited Detent
SMP-MSSB-PCT	Smooth Bore	SMP-MSSB-PCS	Smooth Bore	SMP-MSSB-PCE	Smooth Bore

QMA 50Ω Quick Disconnect Snap-on Version of SMA

Same internal construction as SMA. Innovative coupling mechanism maintains a 360° butt-joint with low RF leakage

Electrical

Impedance	- 50Ω
Frequency Range	- DC-6GHz
VSWR	- -25dB @ 1GHz
RF Leakage	- 80dB min DC-3GHz
Return Loss	- > 32dB DC-3GHz
Working Voltage	- 335 Vrms

Materials

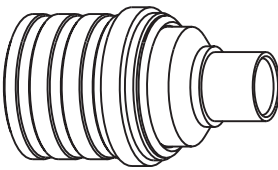
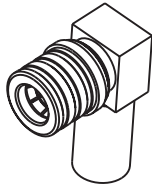
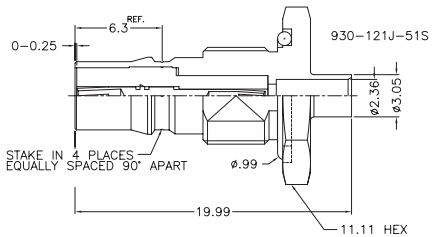
Body	- White Bronze over Brass
Solder Body	- Gold over Brass
Pin Contact	- Gold over Brass
Socket Contact	- Gold over Beryllium Copper
Insulator	- PTFE
Crimp Ferrule	- White Bronze over Copper

Features and Benefits

360° Rotatable	
Temperature	- -40°C ~ 80°C
Durability	- 100 Cycles

Applications

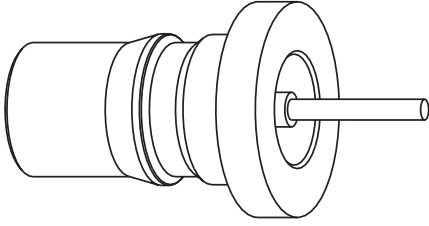
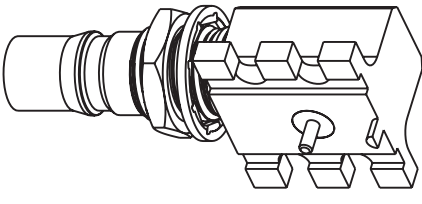
Base Station Equipment, Cable Assemblies and Amplifiers

 <p>Straight Plug</p>		 <p>Right Angle Plug</p>		 <p>Straight Bulkhead Jack</p>	
Part Number	Description	Part Number	Description	Part Number	Description
930-108P-51S	.141 Semi Rigid	930-103P-51A	.141 Semi Rigid	930-121J-51S	.086 Semi Rigid
930-119P-51S	.086 Semi Rigid	930-104P-51A	.086 Semi Rigid	930-122J-51S	.141 Semi Rigid
930-120P-51S	RG58	930-110P-51A	RG58	930-124J-51S	RG58
930-129P-51S	RG316	930-114P-51A	RG316	930-125J-51S	RG316

Amphenol

RF Interconnects

QMA 50Ω Quick Disconnect Snap-on Version of SMA Continued

 <p>Straight PCB Jack</p>		 <p>Right Angle PCB Jack</p>		Also Available	
				Part Number	Description
Part Number	Description	Part Number	Description	Part Number	Description
930-102J-51P	Thru-Hole	930-111J-51P	Bulkhead R/A SMT	930-109J-51S	Flange Panel Mount Rec.
930-105J-51P	Press-Fit			930-128J-51P	R/A PCB Jack
930-107J-51P	Rec. (see diagram)			930-112J-51S	4-Hole Flange Receptacle
				Adapters	
				930-100A-51S	Jack to SMA Jack
				930-101A-51S	Plug to SMA Jack
				930-130A-51S	Plug to SMA Plug
				930-131A-51S	Jack to SMA Plug

SSMB 50Ω Micro-miniature Snap-on System

Provides an excellent alternative for the SMA in a smaller package and quick termination.

Electrical

Impedance	- 50Ω
Frequency Range	- DC-12.4GHz
VSWR	- 1.05 DC – 3GHz
RF Leakage	- -80dB DC-3GHz
Power Handling	- 125 Watts @ 40°C

Materials

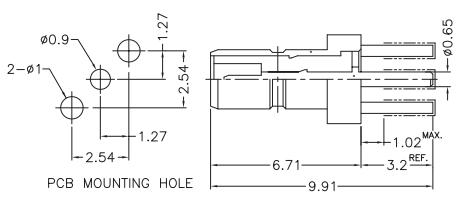
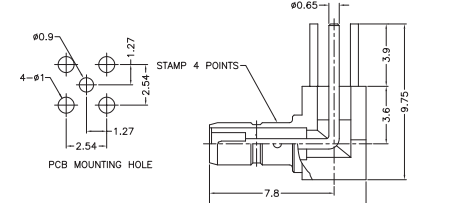
Body	- White Bronze over Brass
Solder Body	- Gold over Brass
Pin Contact	- Gold over Brass
Socket Contact	- Gold over Beryllium Copper
Outer Contact	- White Bronze over Copper
Insulator	- PTFE
Crimp Ferrule	- White Bronze over Copper

Features and Benefits

Light-weight	
Temperature	- -65°C ~ 165°C
Durability	- 500 Cycles

Applications

Base Stations, Instrumentation, Process Control, Cable assemblies, Mil-Aero, Telecom, Components and PC/LAN

Diagram not available at the time of printing		Diagram not available at the time of printing		Diagram not available at the time of printing	
Straight Plug		Right Angle Plug		Straight Jack	
Part Number	Description	Part Number	Description	Part Number	Description
904-110P51SX	RG316	904-111P-51AX	RG316	904-116J-51SX	RG196
904-114P51SX	RG179	904-115P-51AX	RG179		
Diagram not available at the time of printing					
Right Angle Jack		Straight PCB Mount Jack		Right Angle PCB Mount Jack	
Part Number	Description	Part Number	Description	Part Number	Description
904-112J-51AX	RG316	904-102J-51P	2-Leg	904-113J-51AX	4-Leg

Mini SMB 75Ω Snap-on

Die-cast solution for low-cost non critical applications. Hex Crimp/Solder Termination.

Electrical

Impedance	- 75Ω
Frequency Range	- DC-2GHz
VSWR	- 1.33 max
RF Leakage	- -55dB @ 2GHz

Materials

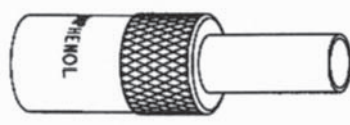
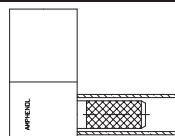
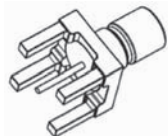
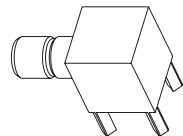
Body	- Gold over Brass
Centre Contact	- Nickel over Brass

Features and Benefits

Temperature	- -65°C ~ 165°C
Durability	- 500 Cycles

For Telecoms, Switch Equip and Networking

RF/ARFA

 <p>Straight Jack for RG179/187 & Belden 9221</p>		 <p>Right Angle Jack for RG179/187 & Belden 9221</p>	
Part Number	903-600P-71S	Part Number	903-586P-71A
 <p>Straight PCB Plug</p>		 <p>Right Angle PCB Plug</p>	
Part Number	903-581J-71P	Part Number	903-601J-71P