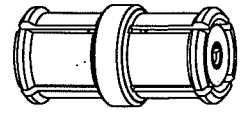


NOTES:

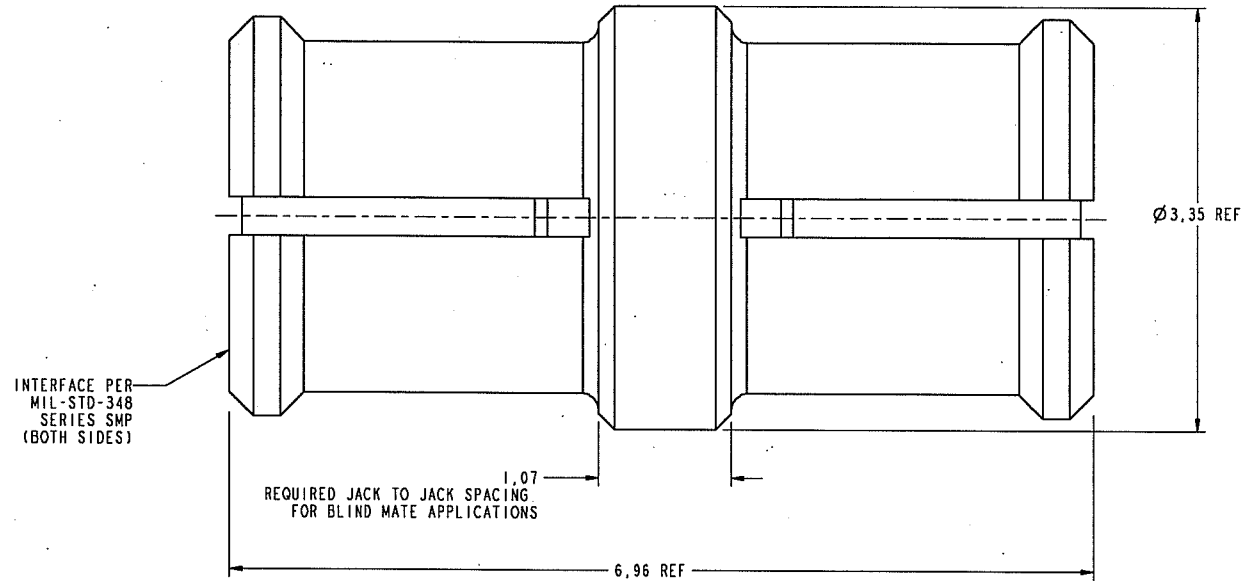
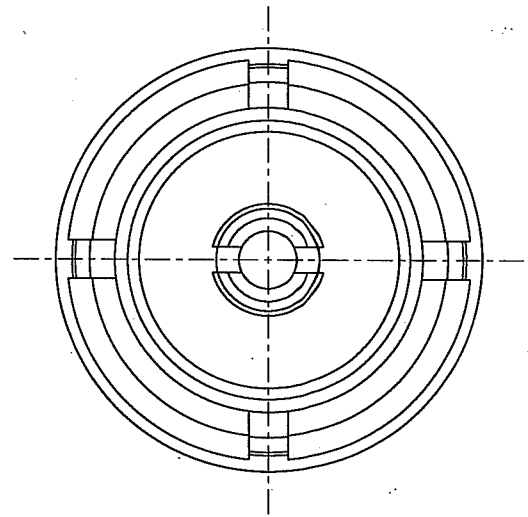
1. MATERIALS AND FINISHES:
 BODY - BeCu, GOLD PLATING
 CONTACT - BeCu, GOLD PLATING
 INSULATOR - PTFE
2. ELECTRICAL:
 A. IMPEDANCE: 50 OHM
 B. FREQUENCY RANGE: DC - 26.5 GHz
 C. VSWR(RETURN LOSS): 1.2 (20.8 dB), MAX. DC-10GHz
 1.4 (15.6 dB), MAX. 10-18GHz
 1.5 (14 dB), MAX. 18-26.5GHz
3. PHYSICAL:
 A. DURABILITY: 100 CYCLES MIN.
 B. ENGAGEMENT FORCE: 15 LB [67 N] MAX (FOR FULL DETENT)
 C. DISINGAGEMENT FORCE: 2 LB [9 N] MIN (FOR FULL DETENT)
 E. TEMPERATURE RANGE: -65° C TO 165° C

THIRD ANGLE PROJ.

| REVISIONS | | | | |
|-----------|----------------|-----------|-----|------|
| REV | DESCRIPTION | DATE | ECO | APPR |
| A | RELEASE TO MFG | 06-Jun-07 | | KL |



SCALE 6.000



CUSTOMER OUTLINE DRAWING
 ALL OTHER SHEETS ARE FOR INTERNAL USE ONLY

| | | | | | | |
|---|---|--|---------------------|------------------|--|--|
| UNLESS OTHERWISE SPECIFIED, DIMENSIONS ARE IN METRIC AND TOLERANCES ARE: 0.5 - 6mm ±0.1mm 6 - 30mm ±0.2mm 30 - 120mm ±0.3mm ANGLES ±1° | MATERIAL | DRAWN EVan. DATE 06-Jun-07 | TITLE | | Amphenol RF Danbury CT USA, Tainan, Taiwan, Shenzhen, China www.amphenolrf.com | |
| | | ENGINEER Gissy DATE 06-Jun-07 | SMP BULLET PLUG F-F | | | |
| NOTICE - These drawings, specifications, or other data (1) are, and remain the property of Amphenol corp. (2) must be returned upon request; and (3) are confidential and not to be disclosed to any person other than those to whom they are given by Amphenol Corp. The furnishing of these drawings, specifications, or other data by Amphenol Corp., or to any other person in anyone for any purpose is not to be regarded by implication or otherwise in any manner licensing, granting rights to permitting such holder or any other person to manufacture, use or sell any product, process or design, patented or otherwise, that may in any way be related to or disclosed by said drawings, specifications, or other data. | REFERENCE EAR # 2279 AND 615X-2322-100 | APPROVED [Signature] DATE 15-Jun-07 | SCALE: 25.0:1.0 | SHEET 2 OF 2 | | |
| | CONFIGURATION LEVEL: Engineering Change | CAD FILE I:\SMP\SMP-FSBA-696 | DWG SIZE B | CODE ID 74868 | REV A | DRAWING NO. SMP-FSBA-696 |
| | FINISH | | | | | ITEM NO. SMP-FSBA-696 PART NO. SMP-FSBA-696 |