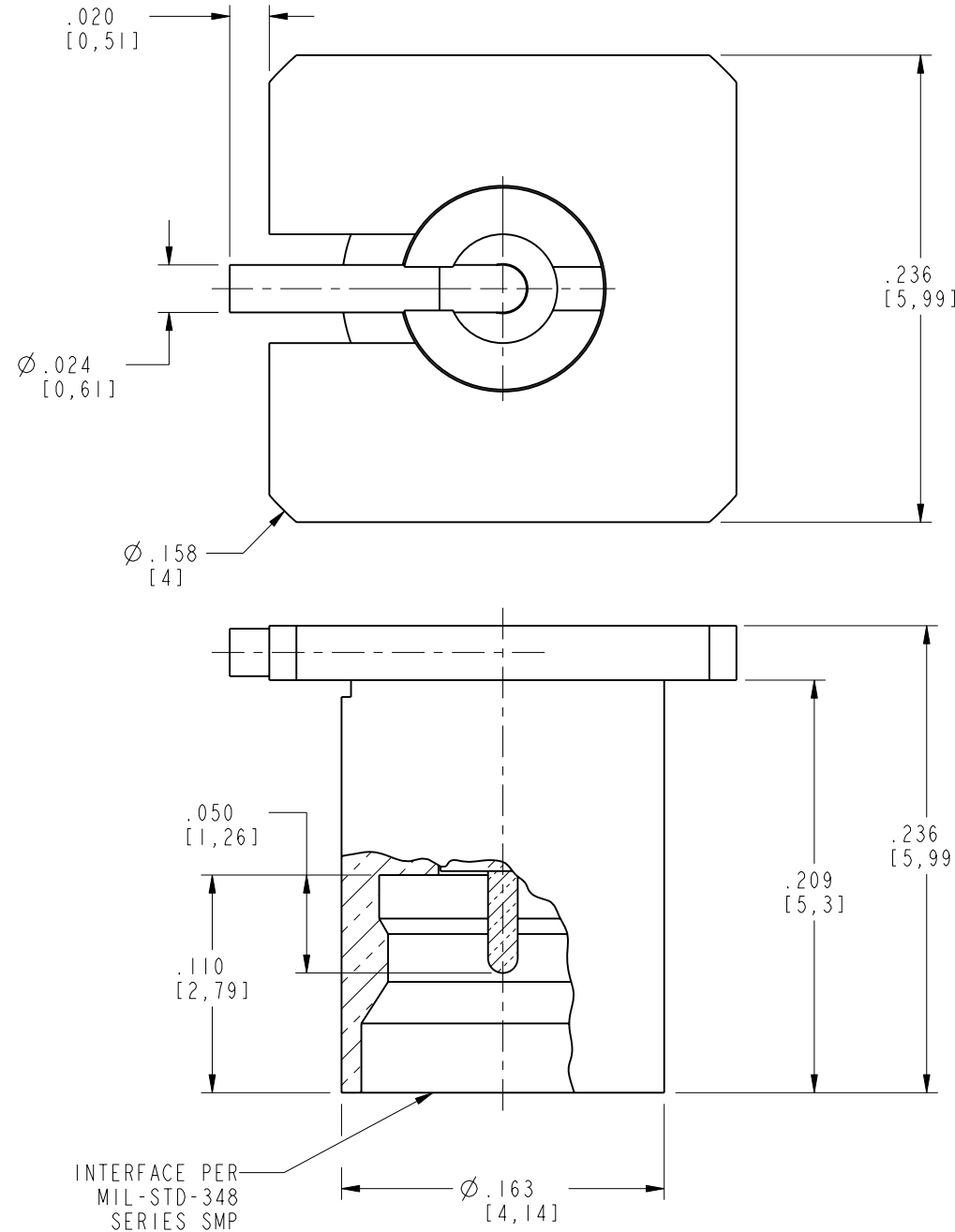
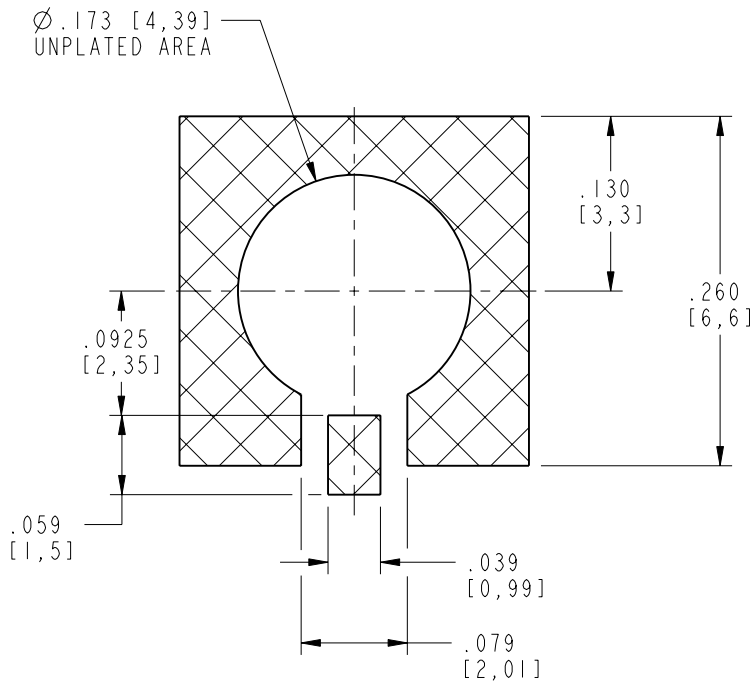
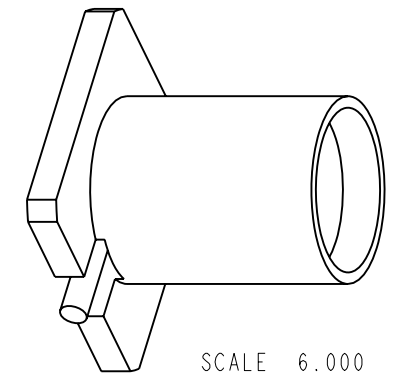


NOTES:

1. MATERIALS AND FINISHES:  
 BODY - BRASS, GOLD PLATING, .000030 [0.8] THICK OVER COPPER  
 CONTACT - GOLD, GOLD PLATING, .000030 [0.8] THICK OVER COPPER  
 INSULATOR - PEEK OR LCP
2. ELECTRICAL:  
 A. IMPEDANCE: 50 OHM  
 B. FREQUENCY RANGE: DC - 6 GHz  
 C. VSWR(RETURN LOSS): 1.10 (26 dB), MAX. DC-6GHz  
 1.20 (21 dB), MAX. 6-12GHz  
 D. DIELECTRIC WITHSTANDING VOLTAGE: 500 VRMS, MIN.
3. PHYSICAL:  
 A. DURABILITY: 500 CYCLES MIN.  
 B. ENGAGEMENT FORCE: 10 LB [45 N] MAX  
 C. DISENGAGEMENT FORCE: 2 LB [9 N] MIN  
 D. INNER CONTACT RETENTION FORCE: 1.5 LB [7 N] MIN  
 E. TEMPERATURE RANGE: -65° C TO 165° C
4. PACKAGING:  
 A. QUANTITY: SINGLE PACK  
 B. MARKING: AMPHENOL, SMP-MSFD-PCR, DATE CODE

| SMP-MSFD-PCR      |     | REVISIONS       |         |       |      |
|-------------------|-----|-----------------|---------|-------|------|
| DRAWING NO.       | REV | DESCRIPTION     | DATE    | ECO   | APPR |
| THIRD ANGLE PROJ. | A   | RELEASE TO MFG. | 5/30/08 | 47081 | NMV  |



**CUSTOMER OUTLINE DRAWING**  
**ALL OTHER SHEETS ARE FOR INTERNAL USE ONLY**

|   |  |                                 |                   |  |   |                             |          |  |
|---|--|---------------------------------|-------------------|--|---|-----------------------------|----------|--|
| UNLESS OTHERWISE SPECIFIED, DIMENSIONS ARE IN INCHES AND TOLERANCES ARE:<br>2 PLACE DECIMAL ±.015 (0,381 mm)<br>3 PLACE DECIMAL ±.005 (0,127 mm)<br>ANGLES ± 1°   | MATERIAL   | DRAWN<br>MIKE HOYACK            | DATE<br>02-Oct-01 | TITLE<br>ASSEMBLY<br>PC BOARD, REAR MOUNT<br>FULL DETENT | <b>Amphenol RF</b><br>Danbury, CT, USA<br>Tainan, Taiwan<br>Shenzhen, China<br><a href="http://www.amphenolrf.com">www.amphenolrf.com</a><br>SCALE: 11.0:1 SHEET 2 OF 2 |                             |          |  |
|   | REFERENCE<br>GEN# ASSYM2_SMP<br>EAR# 283<br>615X-1690-100<br>EAR #2771 | ENGINEER<br>OWEN BARTHELMES     | DATE<br>25-Apr-01 |  |   |                             |          |  |
| NOTICE - These drawings, specifications, or other data (1) are, and remain the property of Amphenol Corp. (2) must be returned upon request; and (3) are confidential and not to be disclosed to any person other than those to whom they are given by Amphenol Corp. The furnishing of these drawings, specifications, or other data by Amphenol Corp., or to any other person to anyone for any purpose is not to be regarded by implication or otherwise in any manner licensing, granting rights or permitting such holder or any other person to manufacture, use or sell any product, process or design, patented or otherwise, that may in any way be related to or disclosed by said drawings, specifications, or other data. |  | CAD FILE<br>I:\SMP\SMP-MSFD-PCR |                   | CODE ID<br>74868   | DWG SIZE<br>B   | DRAWING NO.<br>SMP-MSFD-PCR | REV<br>A |  |