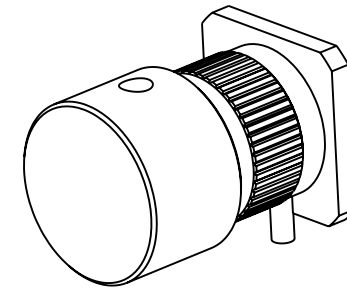


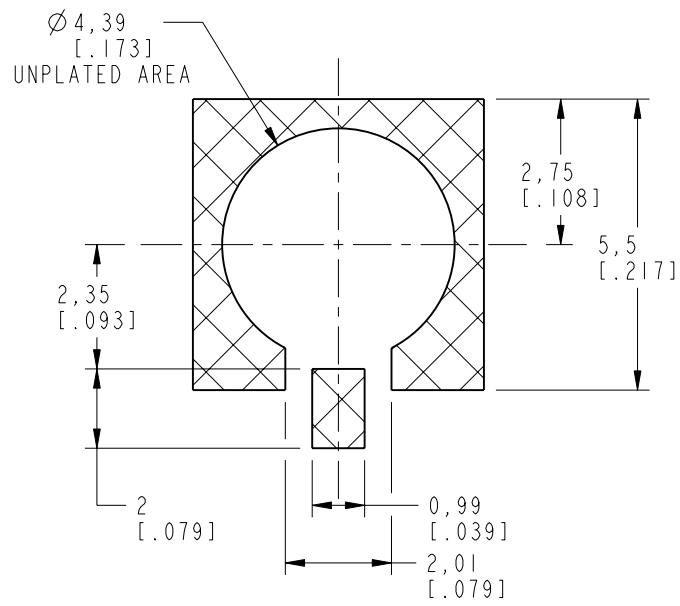
NOTES:

- MATERIALS AND FINISHES:**  
 BODY - BRASS, GOLD PLATING  
 CONTACT - BeCu, GOLD PLATING  
 INSULATOR - PEEK, NATURAL  
 CAP - PTFE, NATURAL
- ELECTRICAL:**  
 A. IMPEDANCE: 50 OHM  
 B. FREQUENCY RANGE: DC - 26.5 GHz  
 C. VSWR(RETURN LOSS): 1.10 MAX (-26 dB MIN) @ DC - 6 GHz  
 1.20 MAX (-21 dB MIN) @ 6 - 12 GHz  
 CONNECTOR ONLY, PERFORMANCE WILL VARY  
 BASED ON BOARD LAYOUT.  
 D. DIELECTRIC WITHSTANDING VOLTAGE: 500 VRMS, MIN.
- MECHANICAL:**  
 A. DURABILITY: 500 CYCLES MIN.  
 B. TEMPERATURE RANGE: -65°C TO +165°C  
 C. ENGAGEMENT FORCE: 10 LBS (45 N) MAX.  
 D. DISENGAGEMENT FORCE: 2 LBS (9 N) MIN.  
 E. INNER CONTACT RETENTION FORCE: 1.5 LBS [7 N] MIN.
- PACKAGING:**  
 A. TAPE AND REEL PACKAGING, 700 PCS/REEL  
 B. MARKING: REEL TO BE MARKED.  
 "AMPHENOL RF, SMP-MSLD-PCR-IT & YYWW"

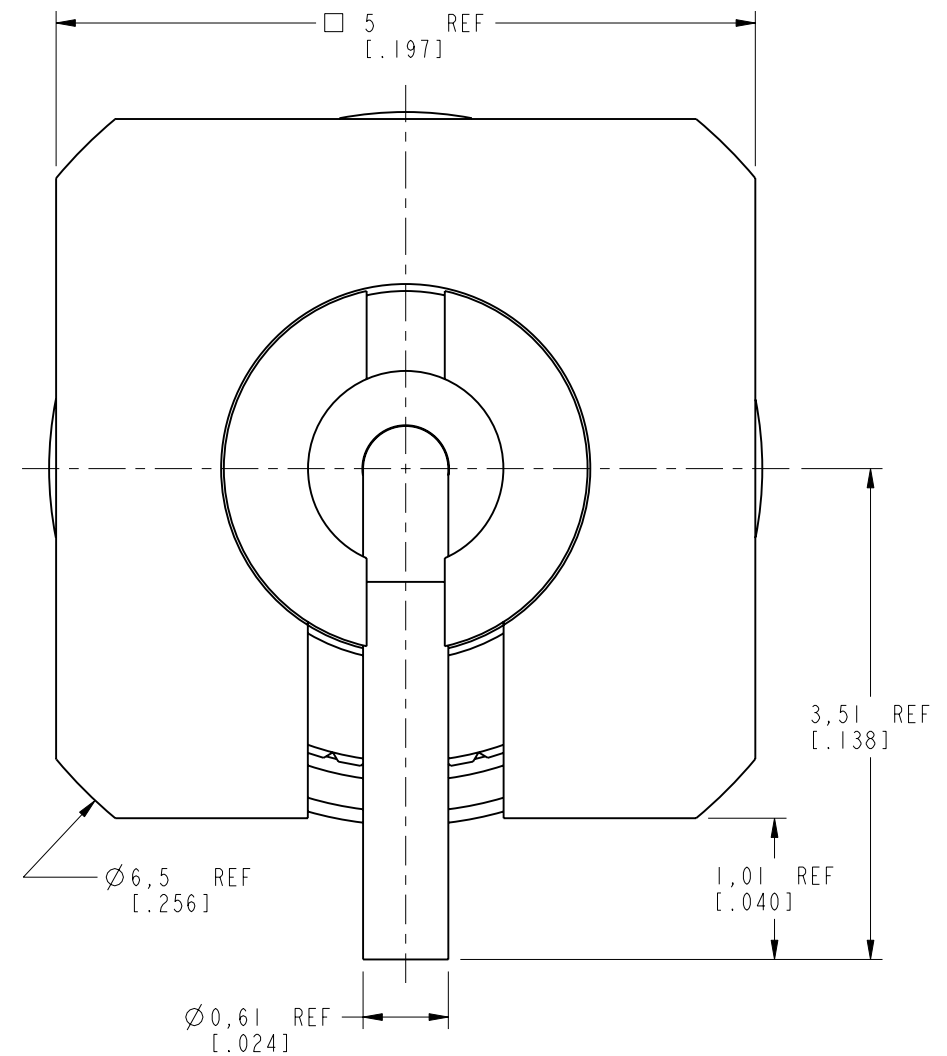
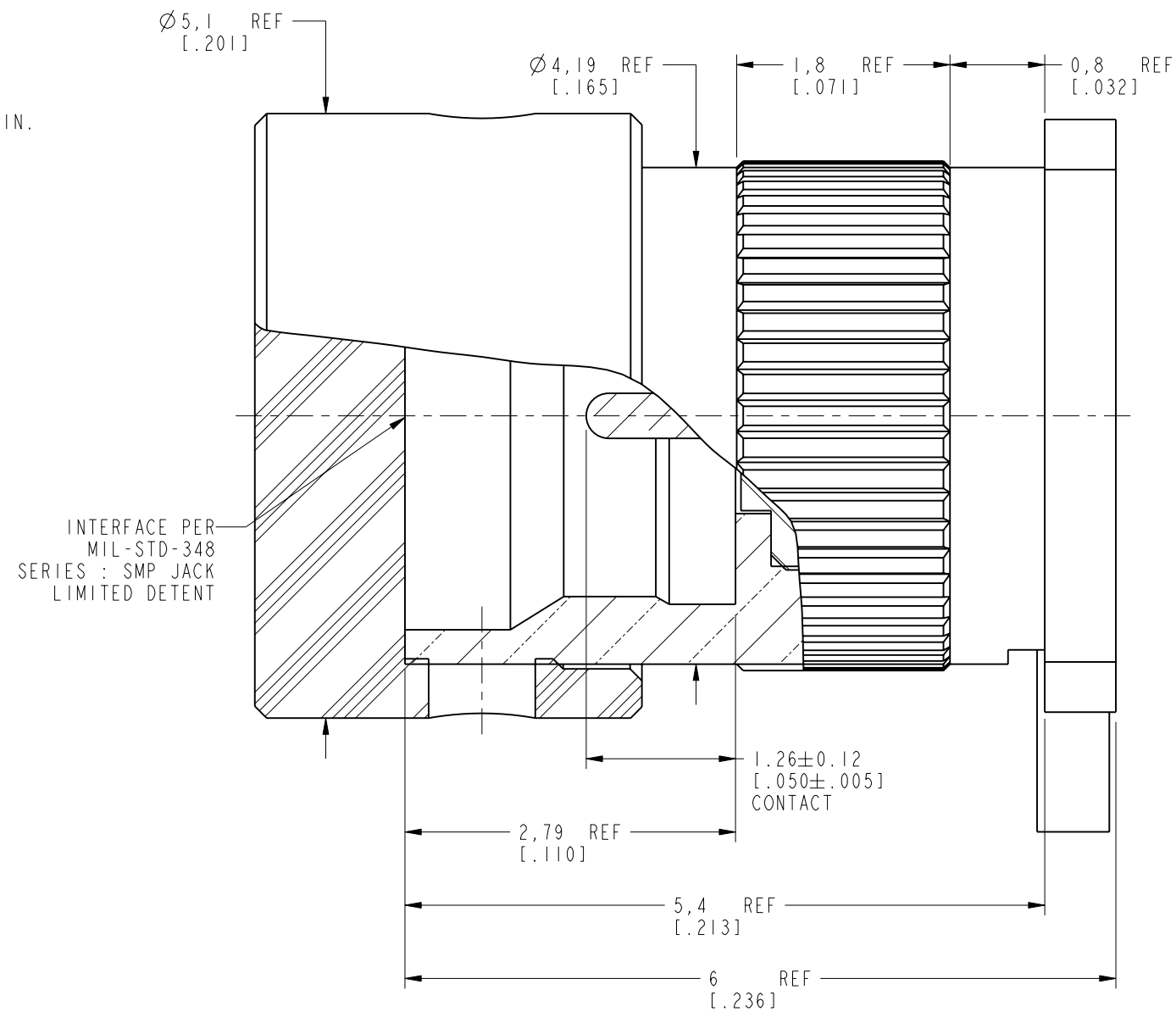
THIRD ANGLE PROJ.



		REVISIONS		
REV	DESCRIPTION	DATE	ECN	APPR
A	RELEASE TO MFG.	01-Mar-19	10642	EH



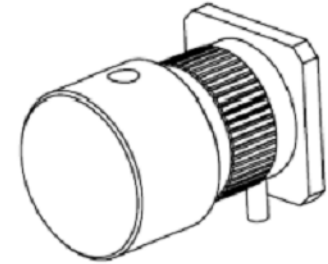
**RECOMMENDED PCB LAYOUT DIMENSIONS**



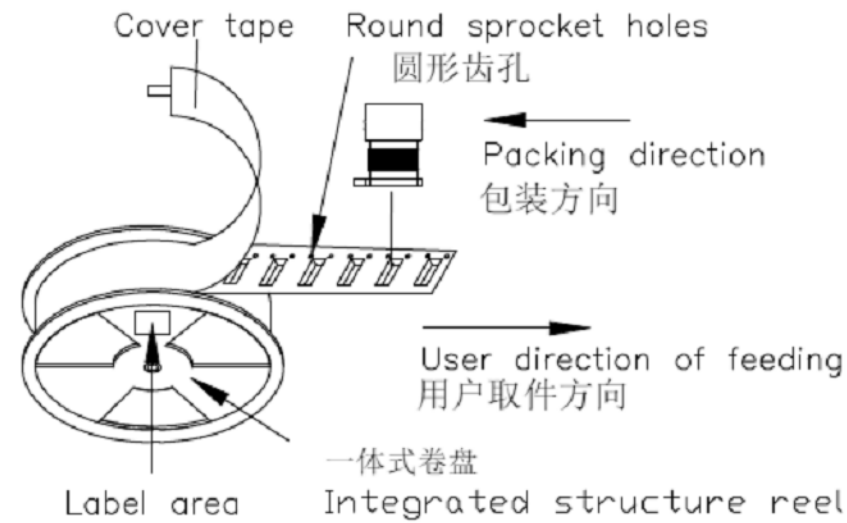
**CUSTOMER OUTLINE DRAWING**  
 ALL OTHER SHEETS ARE FOR INTERNAL USE ONLY

UNLESS OTHERWISE SPECIFIED, DIMENSIONS ARE IN METRIC AND TOLERANCES ARE: <0.5mm ±0.05mm    0.5 - 6mm ±0.1mm    6 - 30mm ±0.2mm    30 - 120mm ±0.3mm    ANGLES ±1°	MATERIAL	DRAWN	DATE	TITLE		<b>Amphenol RF</b> www.amphenolrf.com	
	SEE NOTES	M. ZHANG	01-Mar-19	SMP STR JACK PCB REAR MOUNT LIMITED DETENT (TAPE & REEL)			
NOTICE - These drawings, specifications, or other data (1) are, and remain the property of Amphenol corp. (2) must be returned upon request; and (3) are confidential and not to be disclosed to any person other than those to whom they are given by Amphenol Corp. the furnishing of these drawings, specifications, or other data by Amphenol Corp., or to any other person to anyone for any purpose is not to be regarded by implication or otherwise in any manner licensing, granting rights to permitting such holder or any other person to manufacture, use or sell any product, process or design, patented or otherwise, that may in any way be related to or disclosed by said drawings, specifications, or other data.	REFERENCE	ENGINEER	DATE	SCALE: 18.5:1.0 SHEET 2 OF 3		DRAWING NO. SMP-MSLD-PCR-IT	
	EAR# 8531	VIJAY N M	01-Jan-19			ITEM NO. SMP-MSLD-PCR-IT	
	REF: SAME AS SMP-MSLD-PCR-T EXCEPT KNURLED BODY	APPROVED	S. HSIEH	DATE			PART NO. SMP-MSLD-PCR-IT
	CONFIGURATION LEVEL: In Work	CAD FILE		05-Mar-19			
FINISH				DWG SIZE B	REV A		

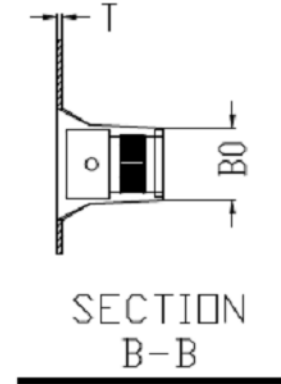
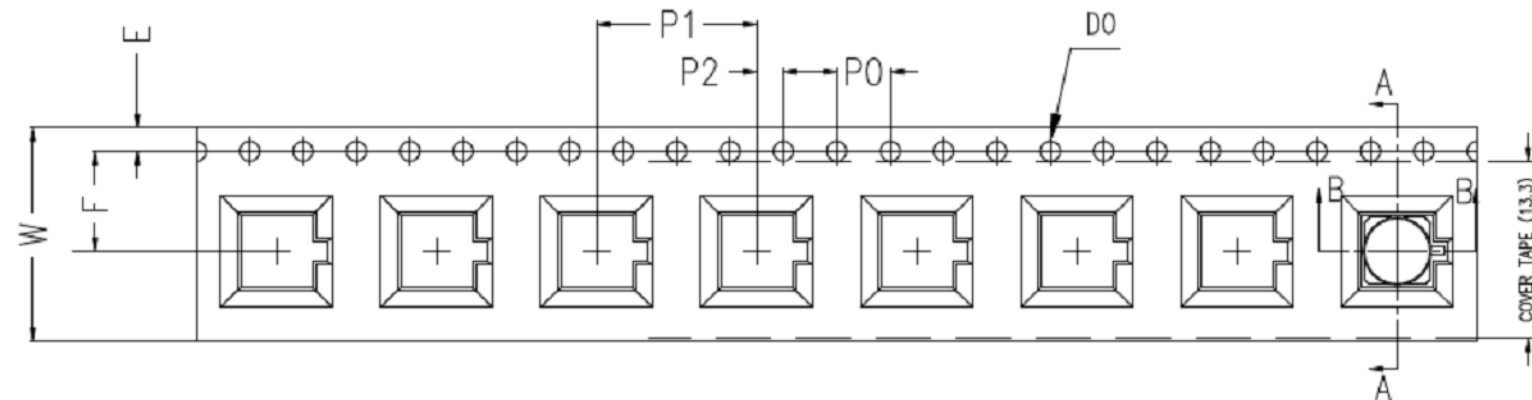
REV	DESCRIPTION	DATE	ECN	APPR
A	RELEASE TO MFG.	01-Mar-19	10642	EH



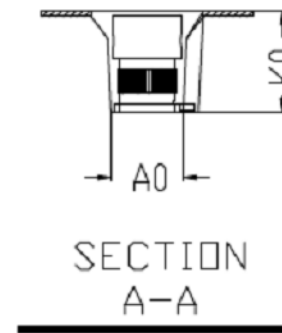
SMP-MSLD-PCR-1T



TAPE&REEL示意图



用户取件方向  
User direction of feeding



1. 10 sprocket hole pitch cumulative tolerance  $\pm 0.20\text{mm}$
2. Carrier camber not to exceed 1mm in 250mm.
3.  $A_0$  and  $B_0$  measured on a plane 0.3mm above the bottom of the pocket.
4.  $K_0$  measured from a plane on the inside bottom of the pocket to the top surface of the carrier.
5. All dimensions meet EIA-481-D requirements.
6. Material: Black Conductive Polystyrene.
7. Thickness:  $0.40 \pm 0.05 \text{ mm}$ .
8. Packing length per 13" reel: 9.12Meters.
9. Component loader per 13" reel: 700PCS.

注:未注公差为 $\pm 0.10$   
NOTE: ALL TOLERANCES ARE:  $\pm 0.10$ , EXCEPT WHERE NOTED

ITEM	W	$A_0$	$B_0$	$K_0$	$K_1$	$P_1$	F	E	$D_0$	$D_1$	$P_0$	$P_2$	T
DIM	$16.0 \pm 0.3$	$5.4 \pm 0.1$	$5.4 \pm 0.1$	$7.55 \pm 0.1$		$12.0 \pm 0.1$	$7.5 \pm 0.1$	$1.75 \pm 0.1$	$1.50^{+0.10}_{-0.00}$		$4.00 \pm 0.1$	$2.00 \pm 0.1$	$0.4 \pm 0.05$

UNLESS OTHERWISE SPECIFIED, DIMENSIONS ARE IN METRIC AND TOLERANCES ARE: <math>< 0.5\text{mm}</math>   <math>0.5 - 6\text{mm}</math>   <math>6 - 30\text{mm}</math>   <math>30 - 120\text{mm}</math>   ANGLES $\pm 0.05\text{mm}$ $\pm 0.1\text{mm}$ $\pm 0.2\text{mm}$ $\pm 0.3\text{mm}$ $\pm 1^\circ$	MATERIAL	DRAWN	DATE	TITLE	Amphenol RF <a href="http://www.amphenolrf.com">www.amphenolrf.com</a>
	SEE NOTES	M. ZHANG	01-Mar-19	SMP STR JACK PCB REAR MOUNT LIMITED DETENT (TAPE & REEL)	
NOTICE - These drawings, specifications, or other data (1) are, and remain the property of Amphenol corp. (2) must be returned upon request; and (3) are confidential and not to be disclosed to any person other than those to whom they are given by Amphenol Corp. the furnishing of these drawings, specifications, or other data by Amphenol Corp., or to any other person to anyone for any purpose is not to be regarded by implication or otherwise in any manner licensing, granting rights to permitting such holder or any other person to manufacture, use or sell any product, process or design, patented or otherwise, that may in any way be related to or disclosed by said drawings, specifications, or other data.	REFERENCE	ENGINEER	DATE	SCALE: 18.5:1.0   SHEET 3 OF 3	DRAWING NO. SMP-MSLD-PCR-IT
	EAR# 8531	VIJAY N M	01-Jan-19		ITEM NO. SMP-MSLD-PCR-IT
	REF: SAME AS SMP-MSLD-PCR-T EXCEPT KNURLED BODY	APPROVED	DATE		REV
CONFIGURATION LEVEL: In Work	S. HSIEH	05-Mar-19		A	
FINISH	CAD FILE			DWG SIZE	
				B	