

## 2N4091, 2N4092, 2N4093 N-Channel JFET

### Features

- InterFET [N0132S Geometry](#)
- Low Noise: 1.2 nV/√Hz Typical
- Fast Switching
- RoHS Compliant
- SMT, TH, and Bare Die Package options.

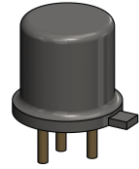
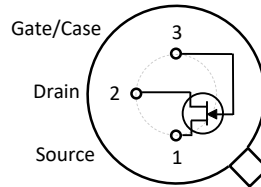
### Applications

- Low  $R_{DS(ON)}$
- Low Leakage
- Fast Switching

### Description

The -40V InterFET 2N4091, 2N4092, and 2N4093 JFET's are targeted for very low noise switching applications for mid to high frequency designs. Gate leakages are typically 50pA at room temperatures. The TO-18 package is hermetically sealed and suitable for military applications.

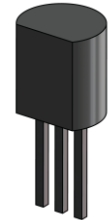
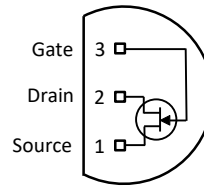
TO-18 Bottom View



SOT23 Top View



TO-92 Bottom View



### Product Summary

Parameters	2N4091 Min	2N4092 Min	2N4093 Min	Unit
$BV_{GSS}$ Gate to Source Breakdown Voltage	-40	-40	-40	V
$I_{DSS}$ Drain to Source Saturation Current	30	15	8	mA
$V_{GS(off)}$ Gate to Source Cutoff Voltage	-5	-2	-1	V

### Ordering Information Custom Part and Binning Options Available

Part Number	Description	Case	Packaging
2N4091; 2N4092; 2N4093	Through-Hole	TO-18	Bulk
PN4091; PN4092; PN4093	Through-Hole	TO-92	Bulk
SMP4091; SMP4092; SMP4093	Surface Mount	SOT23	Bulk
SMP4091TR; SMP4092TR SMP4093TR	7" Tape and Reel: Max 3,000 Pieces 13" Tape and Reel: Max 9,000 Pieces	SOT23	Minimum 1,000 Pieces Tape and Reel
2N4091COT; 2N4092COT 2N4093COT	Chip Orientated Tray (COT Waffle Pack)	COT	400/Waffle Pack
2N4091CFT; 2N4092CFT 2N4093CFT	Chip Face-up Tray (CFT Waffle Pack)	CFT	400/Waffle Pack



**Disclaimer:** It is the Buyers responsibility for designing, validating and testing the end application under all field use cases and extreme use conditions. Guaranteeing the application meets required standards, regulatory compliance, and all safety and security requirements is the responsibility of the Buyer. These resources are subject to change without notice.

## Electrical Characteristics

### Maximum Ratings (@ $T_A = 25^\circ\text{C}$ , Unless otherwise specified)

Parameters	Value	Unit
$V_{RGS}$ Reverse Gate Source and Gate Drain Voltage	-40	V
$I_{FG}$ Continuous Forward Gate Current	50	mA
$P_D$ Continuous Device Power Dissipation	1800	mW
P Power Derating	12	mW/ $^\circ\text{C}$
$T_J$ Operating Junction Temperature	-55 to 125	$^\circ\text{C}$
$T_{STG}$ Storage Temperature	-65 to 150	$^\circ\text{C}$

### Static Characteristics (@ $T_A = 25^\circ\text{C}$ , Unless otherwise specified)

Parameters	Conditions	2N4091		2N4092		2N4093		Unit
		Min	Max	Min	Max	Min	Max	
$V_{(BR)GSS}$ Gate to Source Breakdown Voltage	$V_{DS} = 0V, I_G = -1\mu\text{A}$	-40		-40		-40		V
$I_{GSS}$ Gate to Source Reverse Current	$V_{GS} = -20V, V_{DS} = 0V$		-1		-1		-1	nA
$V_{GS(OFF)}$ Gate to Source Cutoff Voltage	$V_{DS} = 20V, I_D = 1nA$	-5	-10	-2	-7	-1	-5	V
$I_{DSS}$ Drain to Source Saturation Current	$V_{GS} = 0V, V_{DS} = 20V$ (Pulsed)	30		15		8		mA

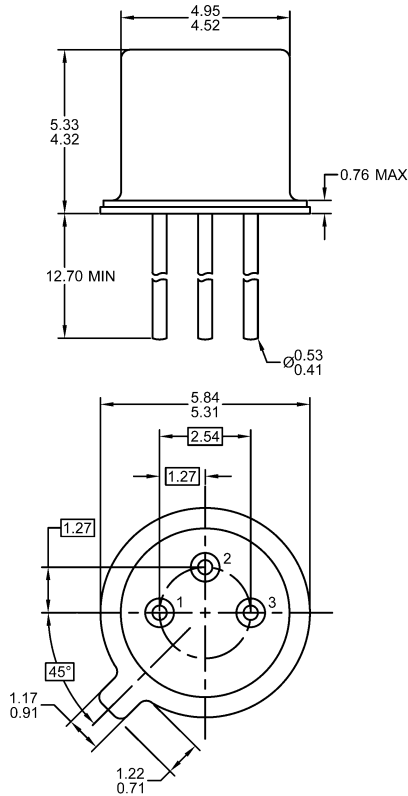
### Dynamic Characteristics (@ $T_A = 25^\circ\text{C}$ , Unless otherwise specified)

Parameters	Conditions	2N4091		2N4092		2N4093		Unit
		Min	Max	Min	Max	Min	Max	
$R_{DS(ON)}$ Drain to Source ON Resistance	$V_{GS} = 0V, I_D = 0A,$ $f = 1\text{kHz}$		30		50		80	$\Omega$
$C_{iss}$ Input Capacitance	$V_{DS} = 20V, V_{GS} = 0V,$ $f = 1\text{MHz}$		16		16		16	pF
$C_{rss}$ Reverse Transfer Capacitance	$V_{DS} = 0V, V_{GS} = -20V,$ $f = 1\text{MHz}$		5		5		5	pF
$t_d$ Turn-On Delay Time	$V_{DD} = 3V, V_{GS(ON)} = 0V$		10		15		20	ns
$t_r$ Rise Time	$V_{DD} = 3V, V_{GS(ON)} = 0V$		10		20		40	ns
$t_{off}$ Turn-Off Time	$V_{DD} = 3V, V_{GS(ON)} = 0V$		40		60		80	ns



## TO-18 Mechanical and Layout Data

### Package Outline Data



1. All linear dimensions are in millimeters.
2. Package weight approximately 0.29 grams
3. Bulk product is shipped in standard ESD shipping material
4. Refer to JEDEC standards for additional information.

### Suggested Through-Hole Layout



1. All linear dimensions are in millimeters.
2. The suggested land pattern dimensions have been provided as a straight lead reference only. A more robust pattern may be desired for wave soldering and/or bent lead configurations.