

IFP44 P-Channel JFET

Features

- InterFET [P0099F Geometry](#)
- Low Noise: 8 nV/VHz Typical
- RoHS Compliant
- SMT, TH, and Bare Die Package options.

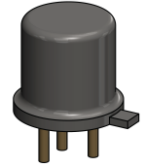
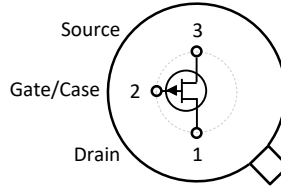
Applications

- Replacement for Japanese 2SJ44

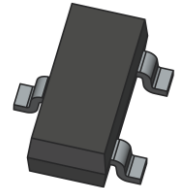
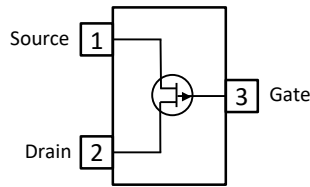
Description

The 25V InterFET IFP44 is a replacement for the Japanese 2SJ44. Targeted for switching and commutator designs. The on resistance is typically less than 100 Ohms at room temperatures. The TO-18 package is hermetically sealed and suitable for military applications.

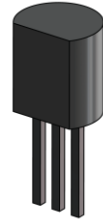
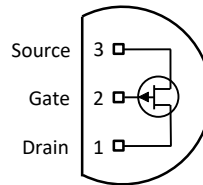
TO-18 Bottom View



SOT23 Top View



TO-92 Bottom View



Product Summary

Parameters		IFP44 Min	Unit
BV _{GSS}	Gate to Source Breakdown Voltage	25	V
I _{DSS}	Drain to Source Saturation Current	1	mA
V _{GS(off)}	Gate to Source Cutoff Voltage	0.2	V
G _{FS}	Forward Transconductance	9	mS

Ordering Information Custom Part and Binning Options Available

Part Number	Description	Case	Packaging
IFP44	Through-Hole	TO-18	Bulk
PN44	Through-Hole	TO-92	Bulk
SMP44	Surface Mount	SOT23	Bulk
SMP44TR	7" Tape and Reel: Max 3,000 Pieces 13" Tape and Reel: Max 9,000 Pieces	SOT23	Minimum 1,000 Pieces Tape and Reel
IFP44COT	Chip Orientated Tray (COT Waffle Pack)	COT	400/Waffle Pack
IFP44CFT	Chip Face-up Tray (CFT Waffle Pack)	CFT	400/Waffle Pack



Disclaimer: It is the Buyers responsibility for designing, validating and testing the end application under all field use cases and extreme use conditions. Guaranteeing the application meets required standards, regulatory compliance, and all safety and security requirements is the responsibility of the Buyer. These resources are subject to change without notice.

Electrical Characteristics

Maximum Ratings (@ $T_A = 25^\circ\text{C}$, Unless otherwise specified)

Parameters	Value	Unit
V_{RGS} Reverse Gate Source and Gate Drain Voltage	25	V
I_{FG} Continuous Forward Gate Current	10	mA
P_D Continuous Device Power Dissipation	300	mW
P Power Derating	2.8	mW/ $^\circ\text{C}$
T_J Operating Junction Temperature	-55 to 125	$^\circ\text{C}$
T_{STG} Storage Temperature	-65 to 150	$^\circ\text{C}$

Static Characteristics (@ $T_A = 25^\circ\text{C}$, Unless otherwise specified)

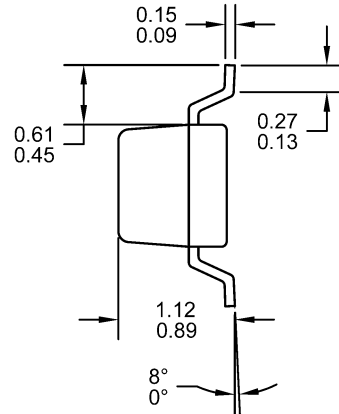
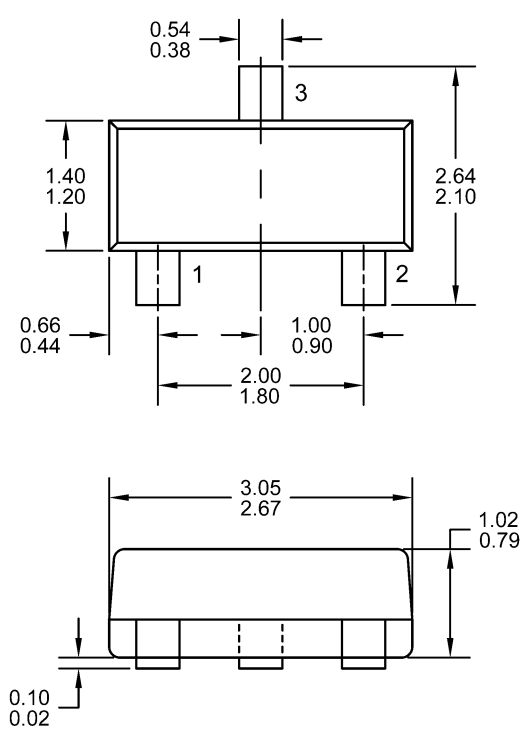
Parameters	Conditions	IFP44		Unit
		Min	Max	
$V_{(BR)GSS}$ Gate to Source Breakdown Voltage	$V_{DS} = 0V, I_G = -1\mu\text{A}$	25		V
I_{GSS} Gate to Source Reverse Current	$V_{GS} = 10V, V_{DS} = 0V$		1	nA
$V_{GS(OFF)}$ Gate to Source Cutoff Voltage	$V_{DS} = 10V, I_D = 100\text{nA}$	0.2	1.5	V
I_{DSS} Drain to Source Saturation Current	$V_{GS} = 0V, V_{DS} = 10V$ (Pulsed)	1	18	mA

Dynamic Characteristics (@ $T_A = 25^\circ\text{C}$, Unless otherwise specified)

Parameters	Conditions	IFP44	Unit
		Typical	
G_{FS} Forward Transconductance	$V_{DS} = 10V, V_{GS} = 0V, f = 1\text{kHz}$	9	mS
C_{ISS} Input Capacitance	$V_{DS} = 10V, V_{GS} = 0V, f = 1\text{MHz}$	15	pF
C_{RSS} Reverse Transfer Capacitance	$V_{DS} = -10V, V_{GS} = 0V, f = 1\text{MHz}$	3	pF

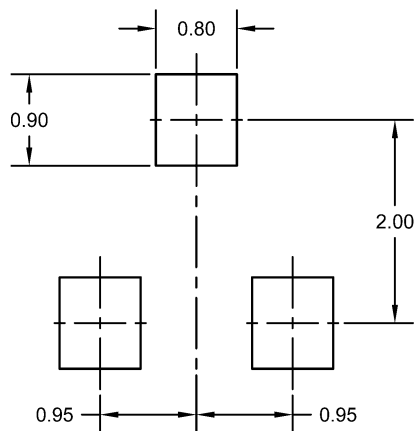
SOT23 (TO-236AB) Mechanical and Layout Data

Package Outline Data



1. All linear dimensions are in millimeters.
2. Package weight approximately 0.12 grams
3. Molded plastic case UL 94V-0 rated
4. For Tape and Reel specifications refer to InterFET CTC-021 Tape and Reel Specification, Document number: IF39002
5. Bulk product is shipped in standard ESD shipping material
6. Refer to JEDEC standards for additional information.

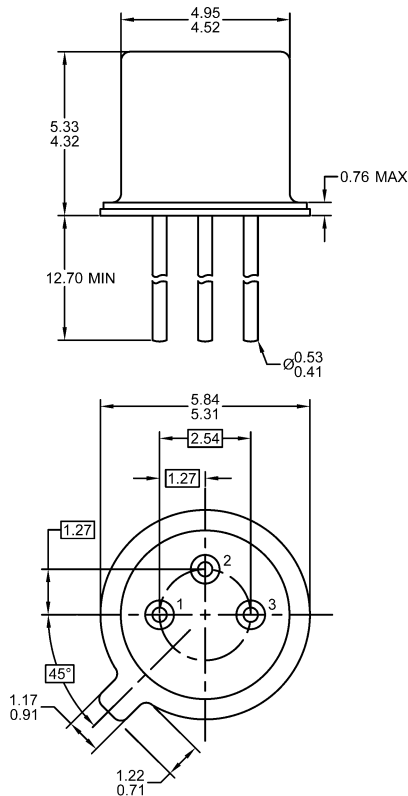
Suggested Pad Layout



1. All linear dimensions are in millimeters.
2. The suggested land pattern dimensions have been provided for reference only. A more robust pattern may be desired for wave soldering.

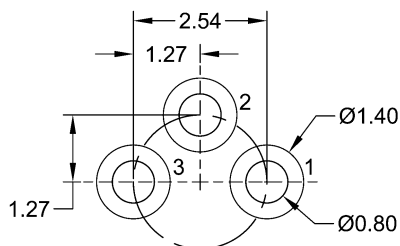
TO-18 Mechanical and Layout Data

Package Outline Data



1. All linear dimensions are in millimeters.
2. Package weight approximately 0.29 grams
3. Bulk product is shipped in standard ESD shipping material
4. Refer to JEDEC standards for additional information.

Suggested Through-Hole Layout



1. All linear dimensions are in millimeters.
2. The suggested land pattern dimensions have been provided as a straight lead reference only. A more robust pattern may be desired for wave soldering and/or bent lead configurations.