

2N6451, 2N6452 N-Channel JFET

Features

- InterFET [N0132L Geometry](#)
- Low noise: 1.0 nV/VHz typical
- High gain: 22mS typical
- Low gate leakage: 750fA typical @10V
- Typical I_{BSS} : 12mA
- Typical V_{GSS} : -35V
- High radiation tolerance
- RoHS, REACH, CMR compliant
- Custom test and binning options available
- SMT, TH, and bare die package options
- Edge case SPICE modeling: [InterFET SPICE](#)

Industry Standard Crosses

- 2SK152, 2SK170, 2N3972, 2N4393, MMBF4393L
- NSVJ3557SA3, NSVJ5908DSG5, NSVJ2394SA3

InterFET Similar Parts

- IF170A, IF170B, IF170C, IF170D, IFN152, IF1320
- SMP3972, SMP4393

InterFET Dual Parts

- IF389A, IF389B, IF389C, IF389D
- IFN146, IF1322, IF1322A

Applications

- General: Amplifiers; Switches; Voltage regulators; Oscillators; Signal mixers; Noise generators
- Military/Aero: Radar; Communications; Satellites; Missiles guidance; Hydrophone Preamplifiers
- Medical: Medical imaging systems; Medical monitors and recorders; Ultrasound equipment
- Audio: Tone control circuits; Headphone amplifiers; Audio filters; Electret Microphone

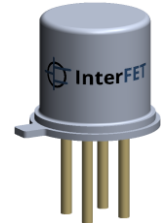
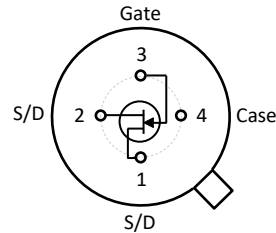
Description

The -25V InterFET 2N6451 and 2N6452 are targeted for sensitive amplifier stages for mid-frequencies designs. Gate leakages are typically 750fA at room temperatures. The InterFET proprietary JFET materials and processes result in highest radiation tolerance and lowest leakage JFETs on the market.

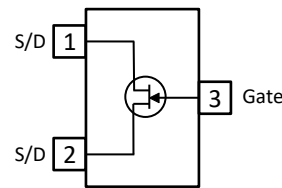
Ordering Information

Part Number	Description	Case	Packaging
2N6451; 2N6452	Through-Hole	TO-72	Bulk
PN6451; PN6452	Through-Hole	TO-92	Bulk
SMP6451; SMP6452	Surface Mount	SOT23	Bulk
SMP6451TR; SMP6452TR	7" Tape and Reel: Max 3,000 Pieces 13" Tape and Reel: Max 9,000 Pieces	SOT23	Minimum 1,000 Pieces Tape and Reel
2N6451COT; 2N6452COT	Chip Orientated Tray (COT Waffle Pack)	COT	400/Waffle Pack
2N6451CFT; 2N6452CFT	Chip Face-up Tray (CFT Waffle Pack)	CFT	400/Waffle Pack

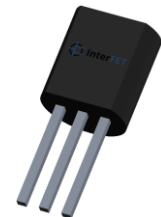
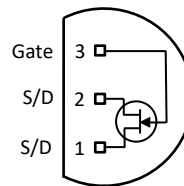
TO-72 Bottom View



SOT23 Top View



TO-92 Bottom View



NOTE: S/D pins are interchangeable Source Drain connections



NOTICE: Please refer to the end of this document for information on product materials, compliance, safety, and legal statements.

Electrical Characteristics

Maximum Ratings (@ $T_A = 25^\circ\text{C}$, Unless otherwise specified)

Parameters	TO-72	SOT-23	TO-92	Unit
V_{RGS} Reverse Gate Source and Gate Drain Voltage	-20	-20	-20	V
I_{FG} Continuous Forward Gate Current	10	10	10	mA
P_{D} Continuous Device Power Dissipation ¹	500	350	500	mW
P Power Derating ¹	3.3	2.8	4	mW/°C
T_{J} Operating Junction Temperature	-65 to 175	-55 to 150	-55 to 150	°C
T_{STG} Storage Temperature	-65 to 175	-55 to 150	-55 to 150	°C

¹ Thermal power dissipation and derating values obtained with gate pin (substrate) thermally connected to pad and/or internal layer.

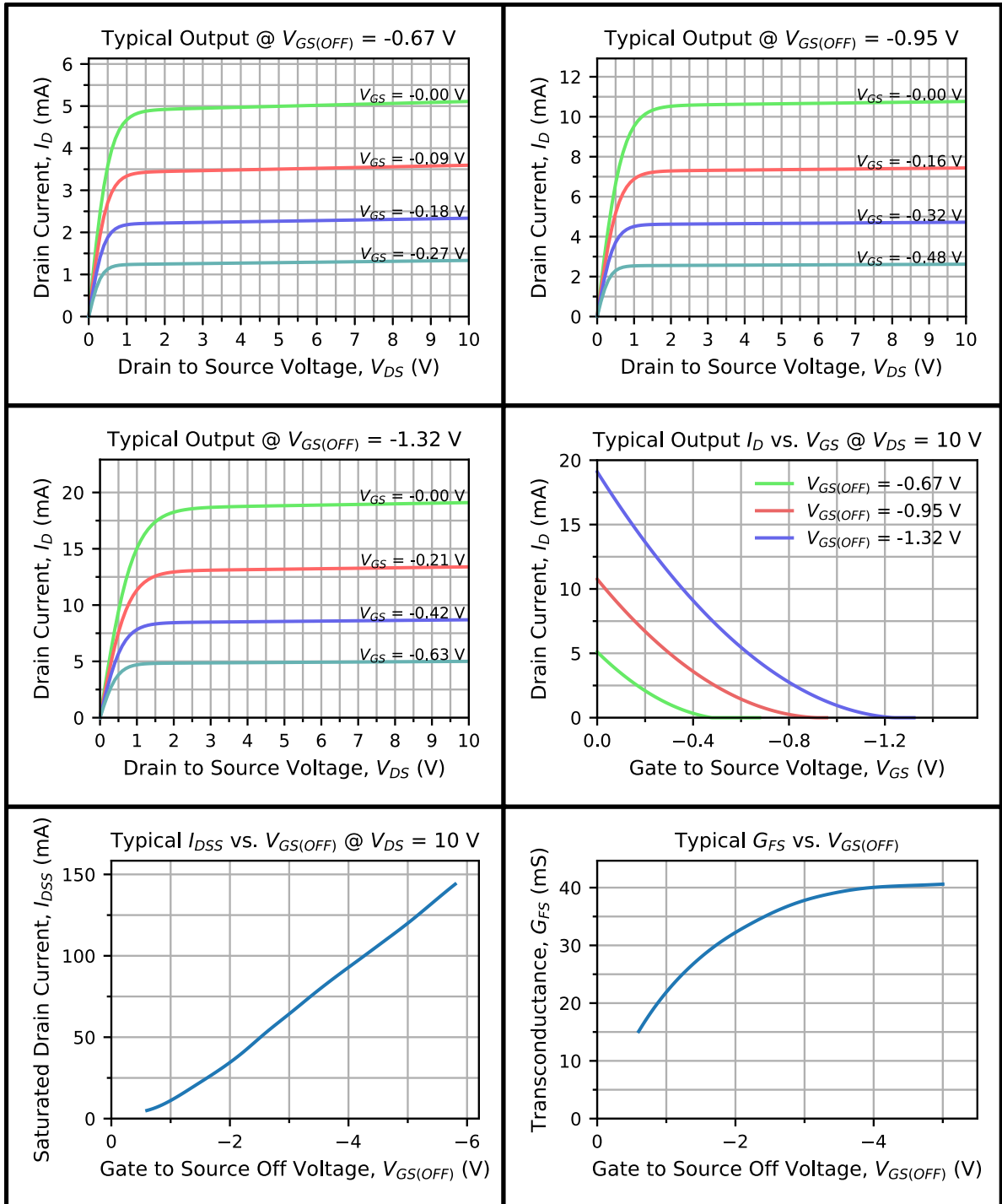
Static Characteristics (@ $T_A = 25^\circ\text{C}$, Unless otherwise specified)

Parameters	Conditions	2N6451		2N6452		Unit
		Min	Max	Min	Max	
$V_{(\text{BR})\text{GSS}}$ Gate to Source Breakdown Voltage	$V_{\text{DS}} = 0\text{V}, I_{\text{G}} = -1\mu\text{A}$	-20		-25		V
I_{GSS} Gate to Source Reverse Current	$V_{\text{GS}} = -10\text{V}, V_{\text{DS}} = 0\text{V}, T_A = 25^\circ\text{C}$		-0.1			nA
	$V_{\text{GS}} = -15\text{V}, V_{\text{DS}} = 0\text{V}, T_A = 25^\circ\text{C}$				-0.5	
	$V_{\text{GS}} = -10\text{V}, V_{\text{DS}} = 0\text{V}, T_A = 125^\circ\text{C}$		-0.2			μA
	$V_{\text{GS}} = -15\text{V}, V_{\text{DS}} = 0\text{V}, T_A = 125^\circ\text{C}$				-1	
$V_{\text{GS}(\text{OFF})}$ Gate to Source Cutoff Voltage	$V_{\text{DS}} = 10\text{V}, I_{\text{D}} = 0.5\text{nA}$	-0.5	-3.5	-0.5	-3.5	V
I_{DSS} Drain to Source Saturation Current	$V_{\text{GS}} = 0\text{V}, V_{\text{DS}} = 10\text{V}$ (Pulsed)	5	20	5	20	mA

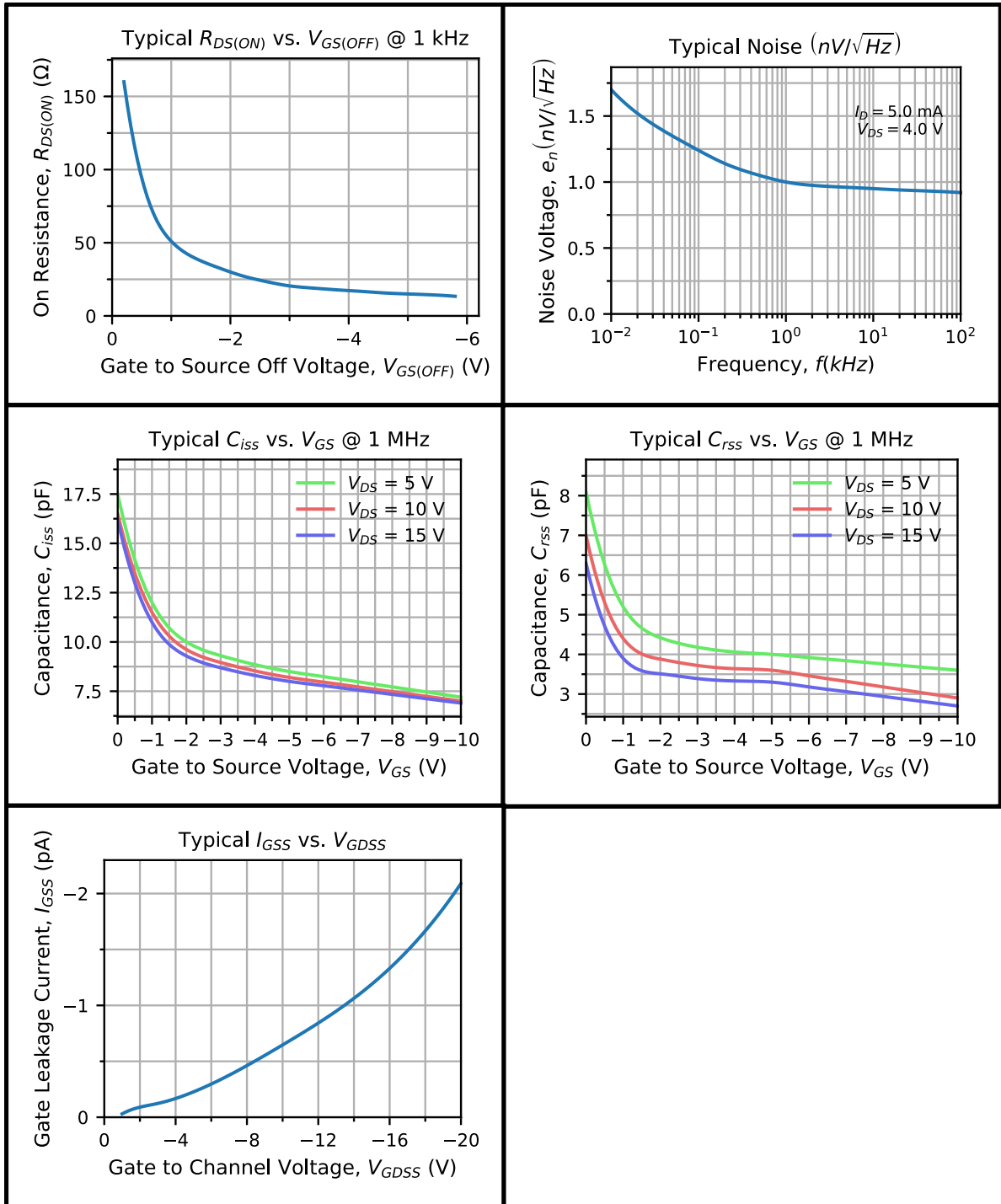
Dynamic Characteristics (@ $T_A = 25^\circ\text{C}$, Unless otherwise specified)

Parameters	Conditions	2N6451		2N6452		Unit
		Min	Max	Min	Max	
G_{FS} Forward Transconductance	$V_{\text{DS}} = 10\text{V}, I_{\text{D}} = 5\text{mA}, f = 1\text{kHz}$	15	30	15	30	mS
G_{OS} Output Conductance	$V_{\text{DS}} = 10\text{V}, I_{\text{D}} = 5\text{mA}, f = 1\text{kHz}$		50		50	μS
C_{iss} Input Capacitance	$V_{\text{DS}} = 10\text{V}, I_{\text{D}} = 5\text{mA}, f = 1\text{MHz}$		25		25	pF
C_{rss} Reverse Transfer Capacitance	$V_{\text{DS}} = 10\text{V}, I_{\text{D}} = 5\text{mA}, f = 1\text{MHz}$		5		5	pF
e_{n} Equivalent Circuit Input Noise Voltage	$V_{\text{DS}} = 10\text{V}, I_{\text{D}} = 5\text{mA}, f = 10\text{Hz}$		5		10	nV/ $\sqrt{\text{Hz}}$
	$V_{\text{DS}} = 10\text{V}, I_{\text{D}} = 5\text{mA}, f = 1\text{kHz}$		3		8	
NF Noise Figure	$V_{\text{DS}} = 10\text{V}, I_{\text{D}} = 5\text{mA}, f = 10\text{Hz}$ $R_{\text{G}} = 10\text{k}\Omega$		1.5		2.5	dB

Typical 2N6451, 2N6452 Characteristics

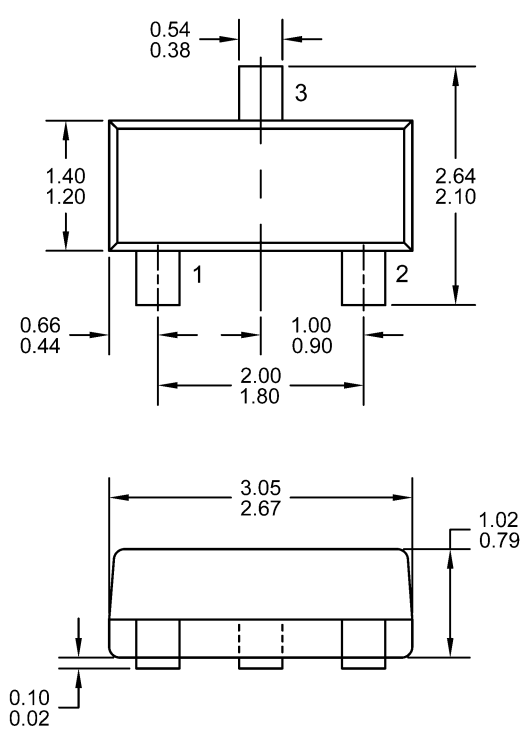


Typical 2N6451, 2N6452 Characteristics (Continued)



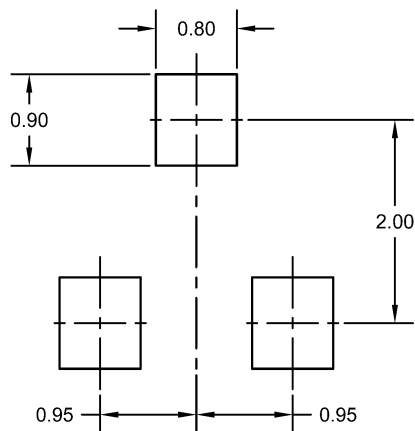
SOT23 (TO-236AB) Mechanical and Layout Data

Package Outline Data



1. All linear dimensions are in millimeters.
2. Package weight approximately 0.12 grams
3. Molded plastic case UL 94V-0 rated
4. For Tape and Reel specifications refer to InterFET CTC-021 Tape and Reel Specification, Document number: IF39002
5. Bulk product is shipped in standard ESD shipping material
6. Refer to JEDEC standards for additional information.

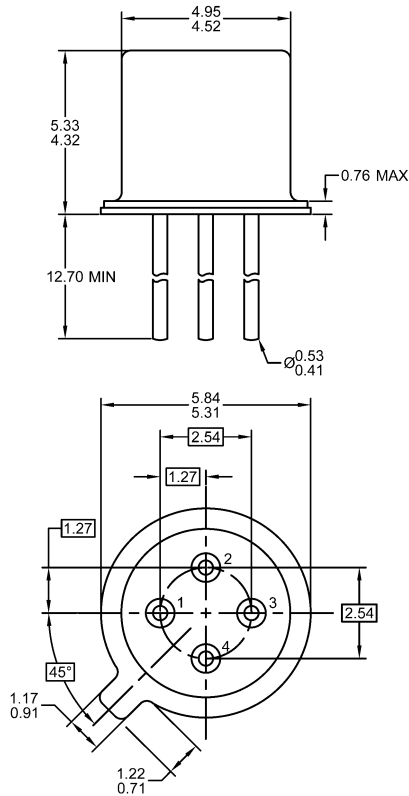
Suggested Pad Layout



1. All linear dimensions are in millimeters.
2. The suggested land pattern dimensions have been provided for reference only. A more robust pattern may be desired for wave soldering.

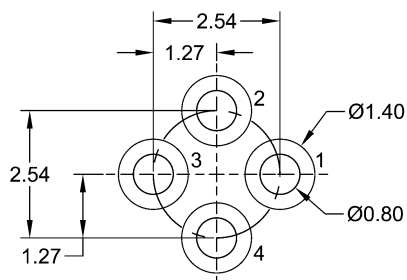
TO-72 Mechanical and Layout Data

Package Outline Data



1. All linear dimensions are in millimeters.
2. Four leaded device. Not all leads are shown in drawing views.
3. Package weight approximately 0.31 grams
4. Bulk product is shipped in standard ESD shipping material
5. Refer to JEDEC standards for additional information.

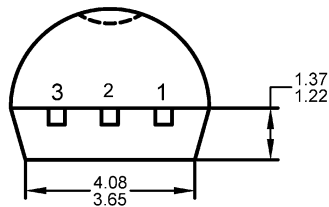
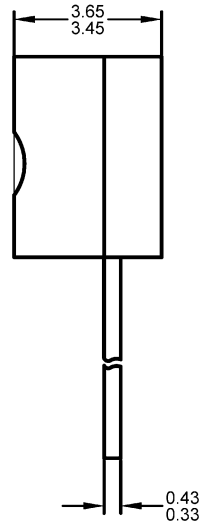
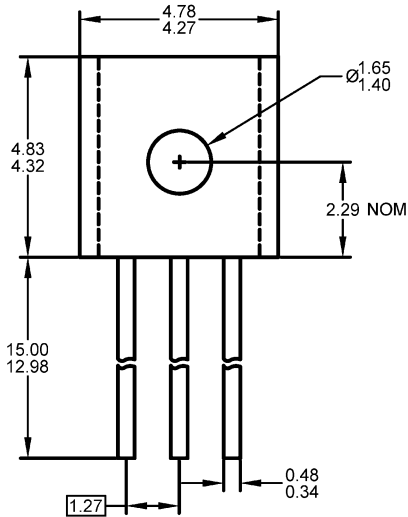
Suggested Through-Hole Layout



1. All linear dimensions are in millimeters.
2. The suggested land pattern dimensions have been provided as a straight lead reference only. A more robust pattern may be desired for wave soldering and/or bent lead configurations.

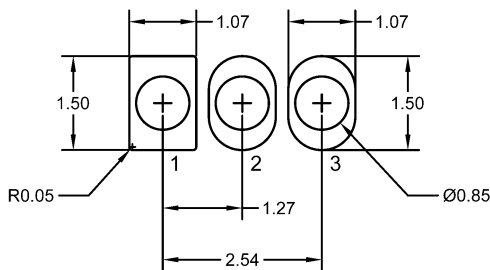
TO-92 Mechanical and Layout Data

Package Outline Data



1. All linear dimensions are in millimeters.
2. Package weight approximately 0.19 grams
3. Molded plastic case UL 94V-0 rated
4. Bulk product is shipped in standard ESD shipping material
5. Refer to JEDEC standards for additional information.

Suggested Through-Hole Layout



1. All linear dimensions are in millimeters.
2. The suggested land pattern dimensions have been provided as a straight lead reference only. A more robust pattern may be desired for wave soldering and/or bent lead configurations.