

SPECIFICATIONS

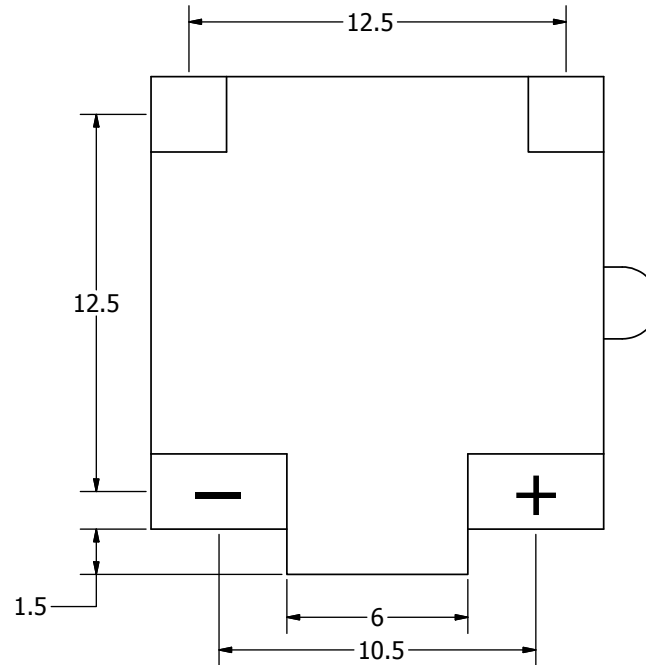
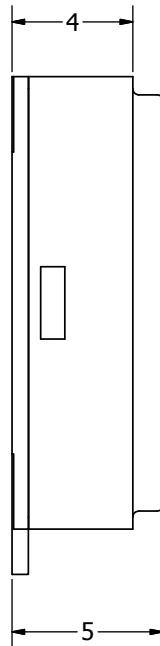
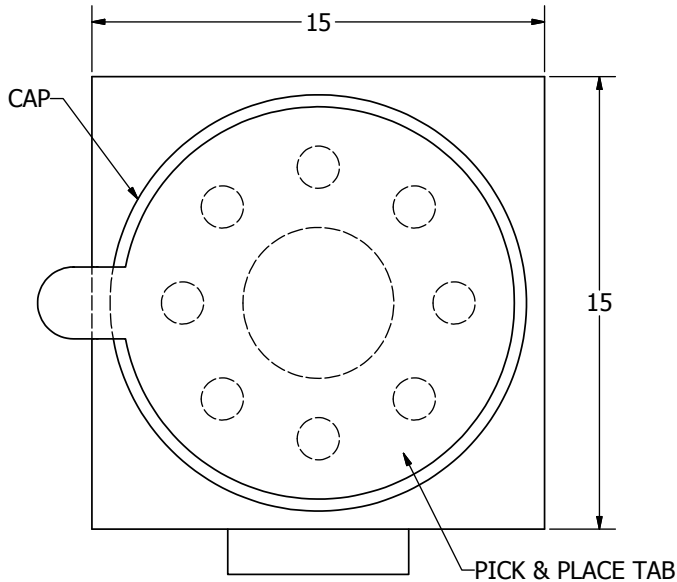
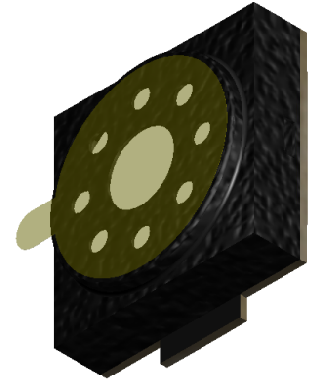
| PARAMETERS | VALUES | UNITS |
|---|--------------|-------|
| RATED INPUT POWER | 0.3 | W |
| MAX INPUT POWER | 0.5 | W |
| IMPEDANCE | 8 ± 15% | OHM |
| OUTPUT SPL @ 0.3W/10cm (AT 1.0, 1.2, 1.5, 2.0 kHz) | 87 ± 3 | dBA |
| DISTORTION (MAX.) | 10% | - |
| RESONANT FREQUENCY | 850 ± 20% | Hz |
| FREQUENCY RANGE | 850 ~ 20,000 | Hz |
| HOUSING MATERIAL | PPS | - |
| CONE MATERIAL | MYLAR | - |
| MAGNET MATERIAL | SmCo | - |
| OPERATING TEMPERATURE | -40 ~ +85 | °C |
| WEIGHT | 2.1 | grams |

THIS DOCUMENT CONTAINS DATA PROPRIETARY TO PROJECTS UNLIMITED, INC. ANY USE OR REPRODUCTION, IN ANY FORM, WITHOUT PRIOR WRITTEN PERMISSION OF PROJECTS UNLIMITED, INC. IS PROHIBITED.
©2003, Projects Unlimited Inc.

REVISION HISTORY

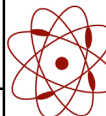
| LTR | DESCRIPTION | DATE | APPROVED |
|-----|--|-----------|----------|
| - | RELEASED FROM ENGINEERING | 4/28/2005 | |
| A | REMOVED LEAD FREE ADDED RoHS NOTE | 8/10/2005 | |
| B | REVISED TO INVENTOR 3-D DRAWING TEMPLATE | 4/7/2008 | B.R. |
| C | REVISED DIMENSIONS | 9/1/2010 | B.R. |

PART IS NOT WASHABLE



NOTES:

1. ALL DIMENSIONS ARE IN MILLIMETERS.
2. SPECIFICATIONS SUBJECT TO CHANGE OR WITHDRAWAL WITHOUT NOTICE.
3. PART IS NOT WASHABLE.
4. THIS PART IS RoHS 2002/95/EC COMPLIANT.

| | | | | | | | | |
|--|------|------------------|-----------|--|------|-------------|--|------------|
| UNLESS OTHERWISE SPECIFIED: DIMENSIONS ARE IN MILLIMETERS, TOLERANCES ARE ±0.5 AND ANGLES ARE ±3°. | SIZE | Designed by | Date | Checked by | Date | Approved by | Date | Drawn Date |
| | A3 | R.A.C. | 4/28/2005 | | | R.W. | 4/28/2005 | 4/7/2008 |
| | | SMS-1508-2-R.idw | |  pui audio a projects unlimited company | | | SMS-1508-2-R Surface Mount Speaker | |