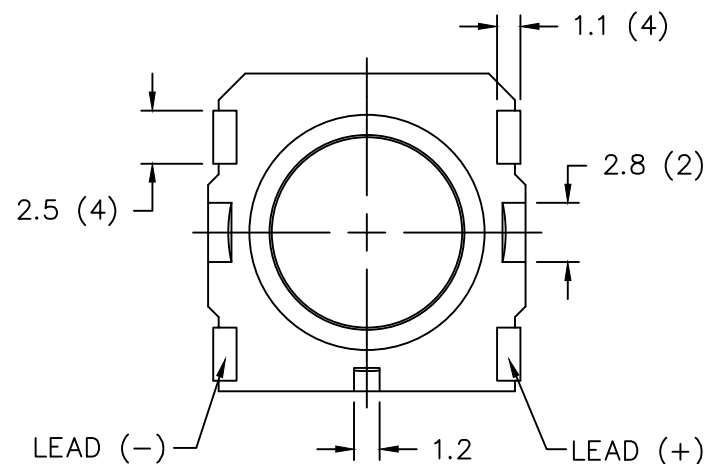
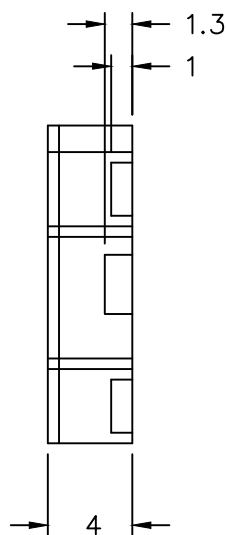
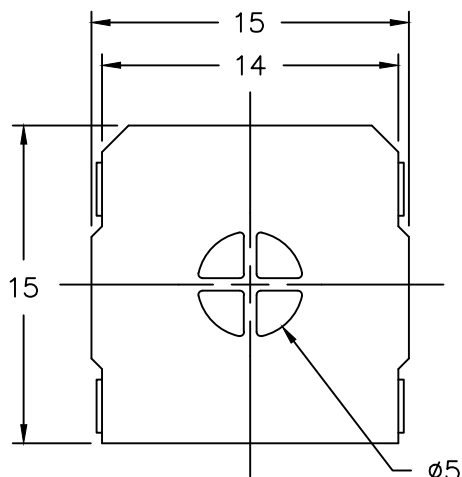


THIS DOCUMENT CONTAINS DATA PROPRIETARY TO PROJECTS UNLIMITED, INC. ANY USE OR REPRODUCTION, IN ANY FORM, WITHOUT PRIOR WRITTEN PERMISSION OF PROJECTS UNLIMITED, INC. IS PROHIBITED.  
© 2005, Projects Unlimited Inc.

## SPECIFICATIONS

PARAMETERS	VALUES	UNITS
RATED INPUT POWER	0.3	W
MAX INPUT POWER	0.5	W
IMPEDANCE	16±15%	OHM
OUTPUT SPL @ 0.3W/0.1M (AT 1, 1.6, 2.0, 3.2 kHz)	85±3	dBA
DISTORTION (MAX.)	5%	—
RESONANT FREQUENCY	800±20%	Hz
FREQUENCY RANGE	800 ~ 20,000	Hz
HOUSING MATERIAL	LCP	—
CONE MATERIAL	KAPTON	—
MAGNET MATERIAL	SmCo	—
OPERATING TEMPERATURE	-30 ~ +85	°C
WEIGHT	1.6	grams


REVISIONS			
LTR	DESCRIPTION	DATE	APPROVED
—	RELEASED FROM ENGINEERING	8/9/11	



### NOTES:

- ALL DIMENSIONS ARE IN MILLIMETERS.
- SPECIFICATION SUBJECT TO CHANGE OR WITHDRAWAL WITHOUT NOTICE.
- THIS PART IS RoHS 2002/95/EC COMPLIANT.

FILE NAME  
SMS-1516MS-2-R.DWG

UNLESS OTHERWISE SPECIFIED: DIMENSIONS ARE IN MILLIMETERS, TOLERANCES ARE ±0.5 AND ANGLES ARE ±3°.		 a projects unlimited company		3541 Stop Eight Road Dayton, Ohio 45414		
APPROVALS	DATE	<h1>SPEAKER</h1> <p>DRAWING NO. SMS-1516MS-2-R</p>				
DRAWN	J.D.					8/11
CHECKED	M.L.					8/11
APPROVED	B.R.	8/11	SIZE A	SCALE: N.T.S.	SHEET 1 OF 1	