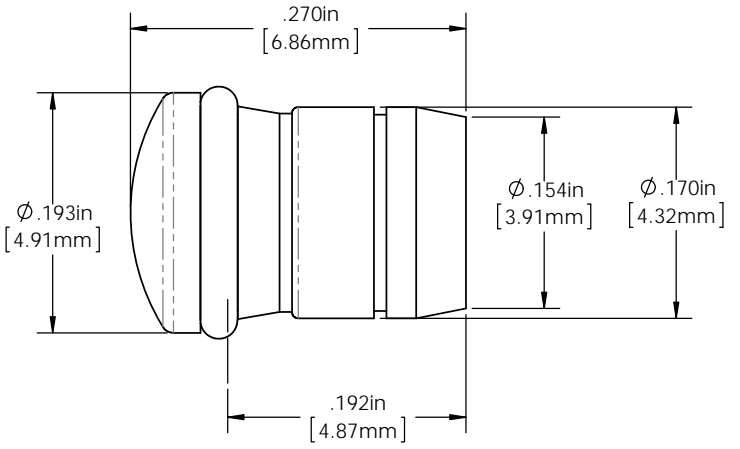
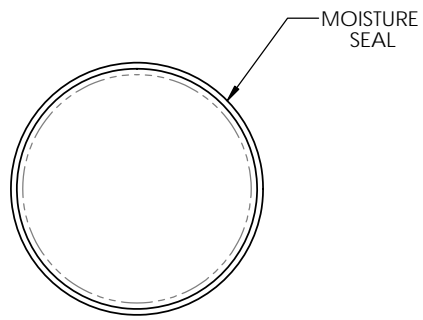
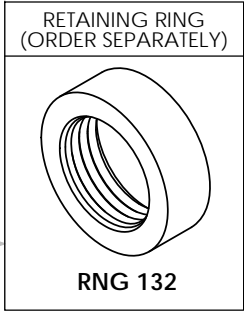


8 7 6 5 4 3 2 1

- NOTES:**
1. ROHS COMPLIANT
 2. MATERIAL: LENS - POLYCARBONATE, UL 94-V2
 3. MOISTURE SEAL - EPDM
 4. MOUNTING: MOUNTS IN A $\phi .171" \pm .002$ [$\phi 4.34\text{mm} \pm .05$] PANEL HOLE ON $.250"$ [6.35mm] CENTER
 5. PANEL HOLE SHALL BE DEBURRED, BUT NOT CHAMFERED
 6. PANEL THICKNESS: $.031"$ [.8 mm] to $.094"$ [2.39mm]
 7. ASSEMBLY:
 - A.) INSERT LENS INTO PANEL HOLE
 - B.) SLIDE RNG 132 RETAINING RING ON BACK OF LENS
 - C.) INSERT LED INTO LENS
 8. U.S. & FOREIGN PATENT ISSUED

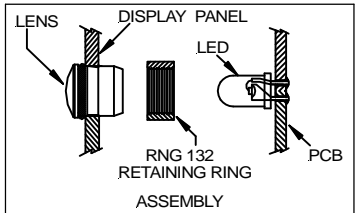
REVISIONS					
ECN #	REV.	DESCRIPTION	DATE	INITIALS	CHK'D
353	000	INITIAL RELEASE	2/20/12	KH	AZ



ORDERING CODE : **SMS 172 XXX**

MODEL

LENS COLOR	
RTP	RED TRANSPARENT
ATP	AMBER TRANSPARENT
GTP	GREEN TRANSPARENT
BTP	BLUE TRANSPARENT
YTP	YELLOW TRANSPARENT
CTP	CLEAR TRANSPARENT



<small>DIMENSION STYLE: INCHES / MM GENERAL TOLERANCES UNLESS OTHERWISE SPECIFIED</small> <table border="1"> <tr> <th>INCHES</th> <th>MM</th> </tr> <tr> <td>X</td> <td>$\pm .020$ / $\pm .508$</td> </tr> <tr> <td>XX</td> <td>$\pm .010$ / $\pm .254$</td> </tr> <tr> <td>XXX</td> <td>$\pm .005$ / $\pm .127$</td> </tr> </table>		INCHES	MM	X	$\pm .020$ / $\pm .508$	XX	$\pm .010$ / $\pm .254$	XXX	$\pm .005$ / $\pm .127$	<small>APPROVAL</small> DRAWN: KHOWARD CHECKED: AZANELLI	<small>DATE</small> 2/20/12 3/5/12
INCHES	MM										
X	$\pm .020$ / $\pm .508$										
XX	$\pm .010$ / $\pm .254$										
XXX	$\pm .005$ / $\pm .127$										
<small>THIRD ANGLE PROJECTION</small> 		<small>MATERIAL</small> SEE NOTES									
<small>PROPRIETARY AND CONFIDENTIAL</small> <small>THE INFORMATION CONTAINED IN THIS DRAWING IS THE SOLE PROPERTY OF VISUAL COMMUNICATIONS COMPANY, INC. ANY REPRODUCTION IN PART OR AS A WHOLE WITHOUT THE WRITTEN PERMISSION OF VISUAL COMMUNICATIONS COMPANY, INC IS PROHIBITED.</small>		<small>FINISH</small> SEE NOTES									
<small>DO NOT SCALE DRAWING</small>											

12780 DANIELSON CT, SUITE A, POWAY, CA 92064 U.S.A
PHONE: (800) 522-5546 EMAIL: vccsales@vccllite.com

TITLE: 3MM FRESNEL LENS W/ MOISTURE SEAL, ROUND LOW PROFILE

SIZE	DWG. NO.	REV
B	SMS 172 XXX	000

SCALE: 10:1 SHEET 1 OF 1

8 7 6 5 4 3 2 1