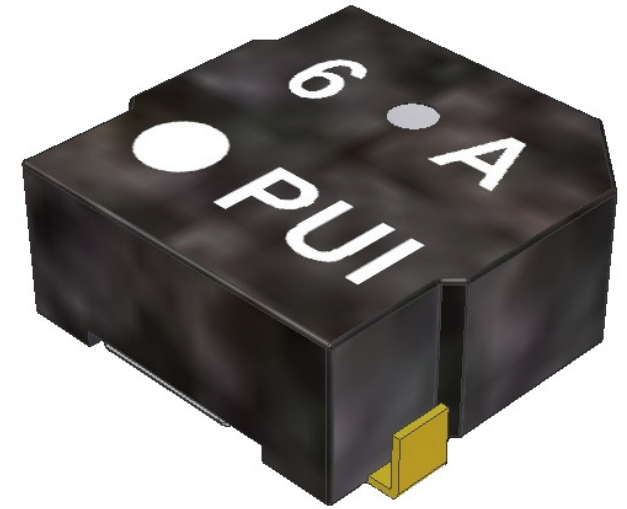


**pui**  
**audio**™ inc  
a projects unlimited company

## SMT-0540-T-7-R 5x5mm Transducer

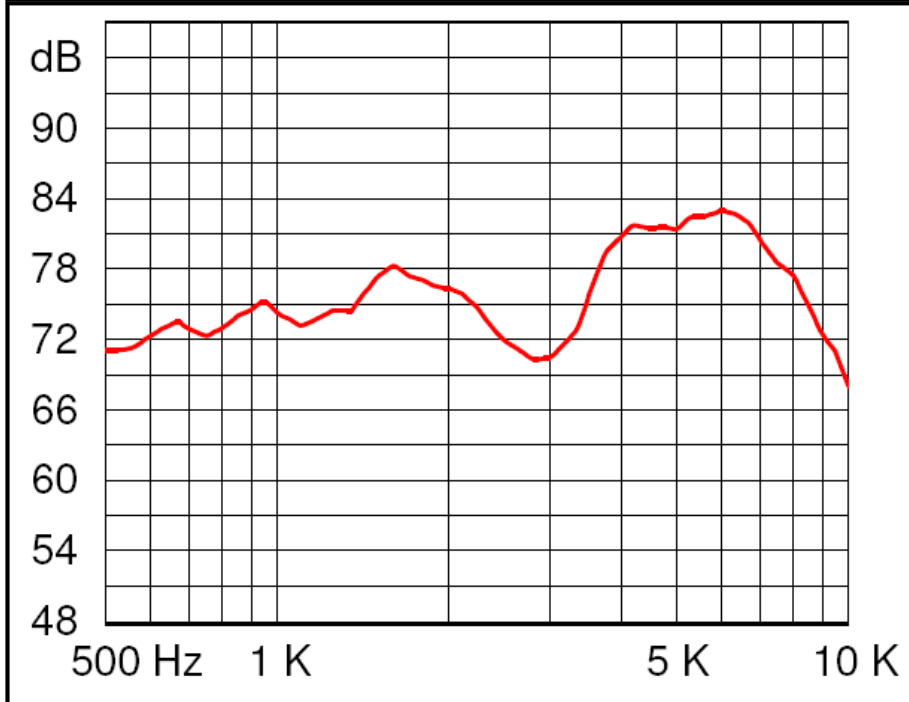


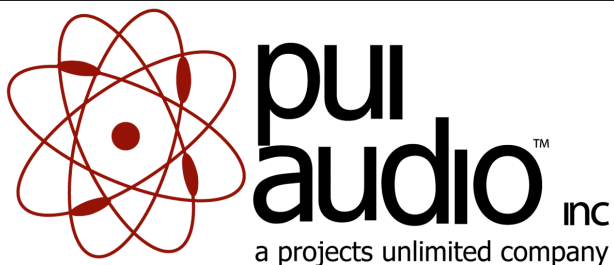
3541 Stop Eight Road • Dayton, Ohio 45414

### Product Overview

- Top-firing electromechanical transducer designed for 2 to 4 Vp-p
- Tiny 5 x 5mm footprint and 2mm height for thinner devices
- 78 dBA minimum output (3Vp-p @ 10 cm) and 4 kHz resonant frequency
- Designed for reflow soldering using a lead-free profile

Frequency Response (3 Vp-p @ 0.1 meters)





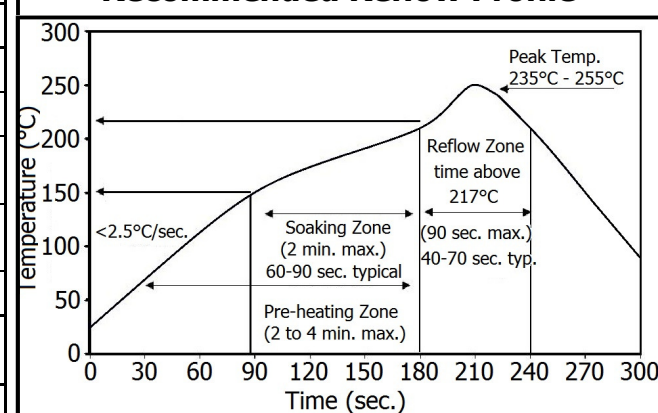
# SMT-0540-T-7-R

## 5x5mm Transducer

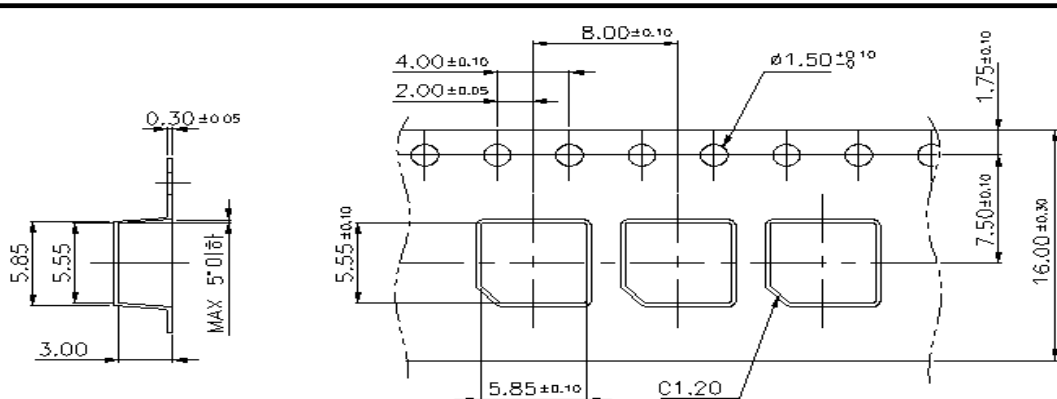
### Mechanical and Environment Testing

Test Description	Test Condition
High Temperature	85°C (±2°C) with random humidity for 96 hours
Low Temperature	-40°C (±2°C) with random humidity for 96 hours
Humidity	25°C to 60°C with 90% to 95% relative humidity for 12 hours, 10 cycles
Vibration	1.53 mm movement modulated at 10-55 Hz in 3 directions for 6 hours
Drop Test	120 cm free fall in six directions, 3 cycles
Temperature Cycle Test	-30°C to 70°C, five 90 minute cycles

### Recommended Reflow Profile

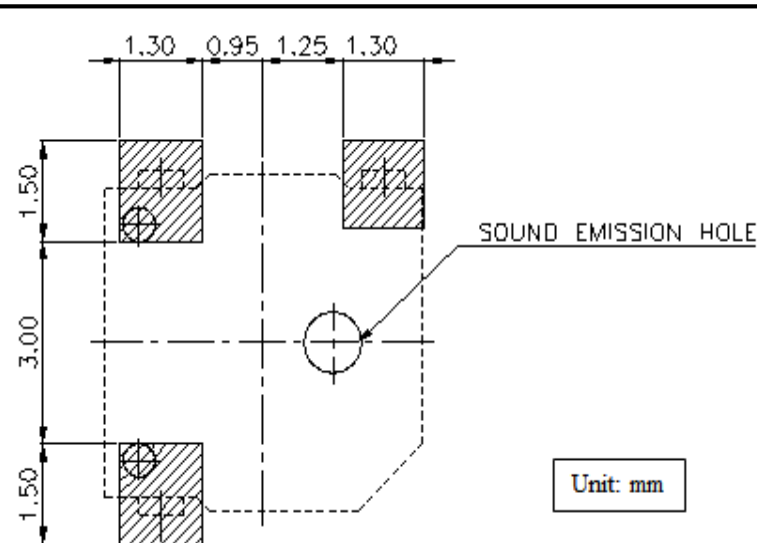


### Tape Dimensions



SMT-0540-T-7-R  
Tape Dimensions  
2,000 PCS/Reel

### Recommended Land Pattern



Unit: mm