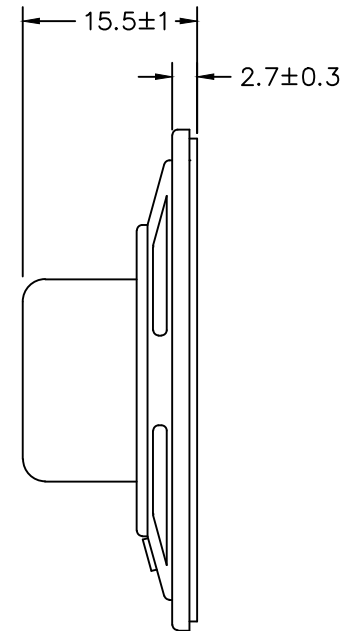
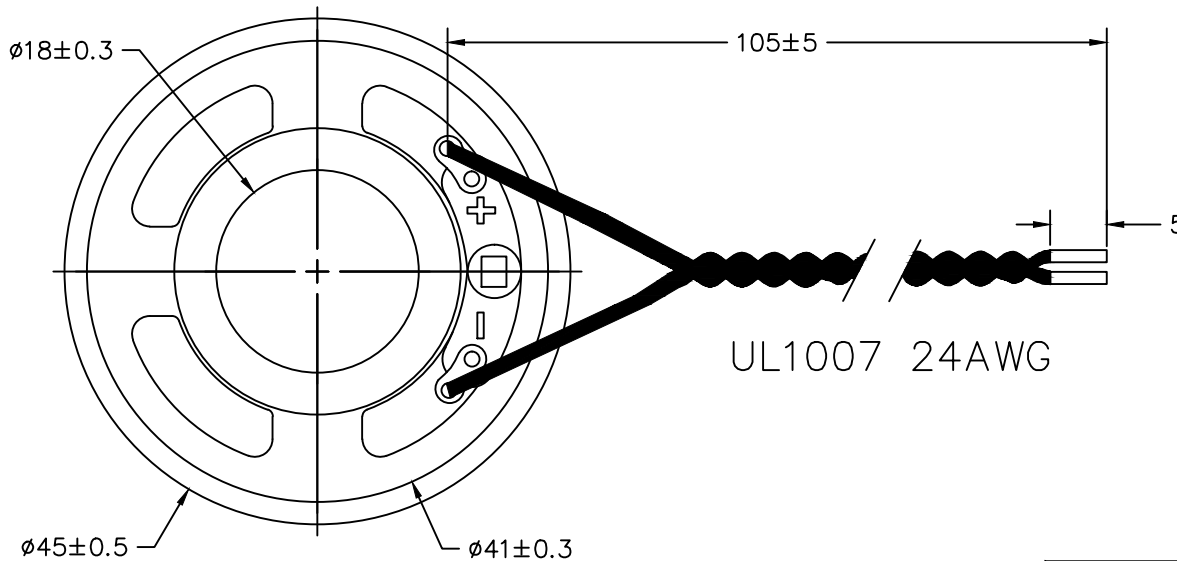


THIS DOCUMENT CONTAINS DATA PROPRIETARY TO PROJECTS UNLIMITED, INC. ANY USE OR REPRODUCTION, IN ANY FORM, WITHOUT PRIOR WRITTEN PERMISSION OF PROJECTS UNLIMITED, INC. IS PROHIBITED.
© 2005, Projects Unlimited Inc.

SPECIFICATIONS

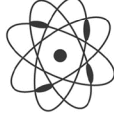
PARAMETERS	VALUES	UNITS
RATED INPUT POWER	1	W
MAX INPUT POWER	2	W
IMPEDANCE	16±15%	OHM
OUTPUT SPL @ 1W/0.5M (AT 1.0, 1.2, 1.5, 2.0 kHz)	86±3	dB
DISTORTION (MAX.)	5%	-
RESONANT FREQUENCY	800±20%	Hz
FREQUENCY RANGE	Fo ~ 4,000	Hz
HOUSING MATERIAL	METAL	-
CONE MATERIAL	MYLAR	-
MAGNET MATERIAL	NdFeB	-
OPERATING TEMPERATURE	-30 ~ +70	°C
WEIGHT	24.6	grams

REVISIONS			
LTR	DESCRIPTION	DATE	APPROVED
-	RELEASED FROM ENGINEERING	11/18/14	



NOTES:

- ALL DIMENSIONS ARE IN MILLIMETERS.
- SPECIFICATION SUBJECT TO CHANGE OR WITHDRAWAL WITHOUT NOTICE.
- THIS PART IS RoHS 2011/65/EU COMPLIANT.

UNLESS OTHERWISE SPECIFIED: ALL PURCHASES ARE SUBJECT TO THE PUI AUDIO TERMS AND CONDITIONS SALE FOUND AT http://www.puiaudio.com/pdf/terms_conditions.pdf (paper copy available upon request) DIMENSIONS ARE IN MILLIMETERS, TOLERANCES ARE ±0.5 AND ANGLES ARE ±3°.		 pui audio a projects unlimited company	3541 Stop Eight Road Dayton, Ohio 45414								
<table border="1"> <thead> <tr> <th>APPROVALS</th> <th>DATE</th> </tr> </thead> <tbody> <tr> <td>DRAWN <i>M.L.</i></td> <td>10/14</td> </tr> <tr> <td>CHECKED <i>M.L.</i></td> <td>10/14</td> </tr> <tr> <td>APPROVED <i>B.R.</i></td> <td>10/14</td> </tr> </tbody> </table>				APPROVALS	DATE	DRAWN <i>M.L.</i>	10/14	CHECKED <i>M.L.</i>	10/14	APPROVED <i>B.R.</i>	10/14
APPROVALS	DATE										
DRAWN <i>M.L.</i>	10/14										
CHECKED <i>M.L.</i>	10/14										
APPROVED <i>B.R.</i>	10/14										
FILE NAME AS04516MR-2-LW105-		SIZE A	DRAWING NO. AS04516MR-2-LW105-R								
		SCALE: N.T.S.	SHEET 1 OF 1								