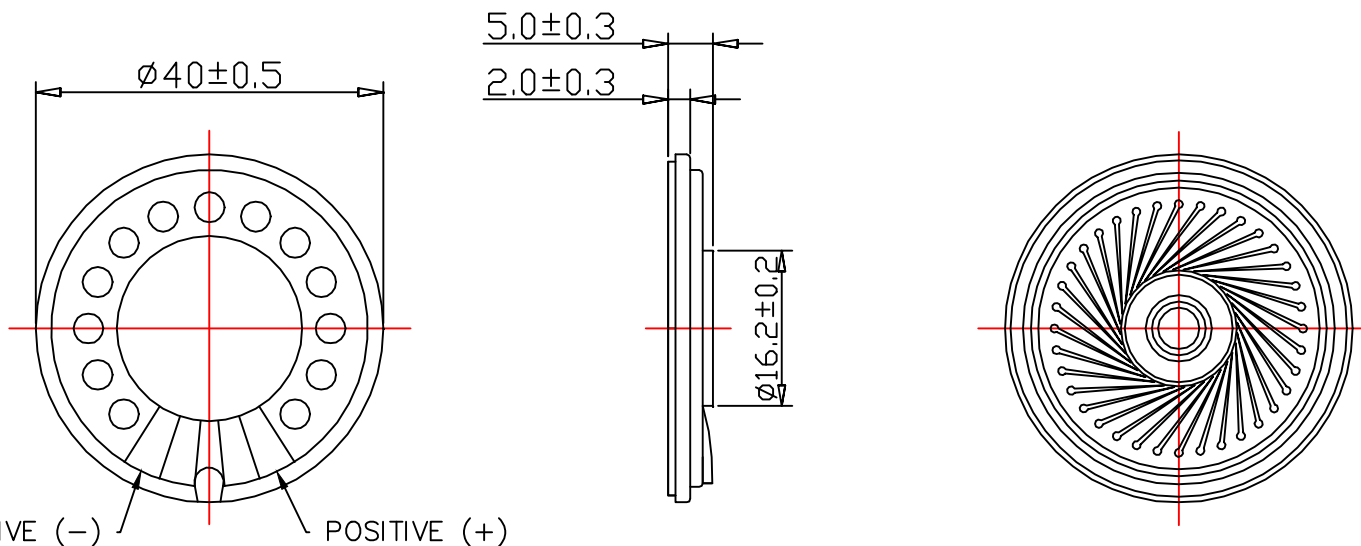


THIS DOCUMENT CONTAINS DATA PROPRIETARY TO PROJECTS UNLIMITED, INC. ANY USE OR REPRODUCTION, IN ANY FORM, WITHOUT PRIOR WRITTEN PERMISSION OF PROJECTS UNLIMITED, INC. IS PROHIBITED.  
© 2005, Projects Unlimited Inc.

## SPECIFICATIONS

PARAMETERS	VALUES	UNITS
RATED INPUT POWER	1.0	W
MAX INPUT POWER	1.5	W
IMPEDANCE	8±15%	OHM
OUTPUT SPL @ 1W/1M	89±3	dBA
RESONANT FREQUENCY	630±20%	Hz
FREQUENCY RANGE	F <sub>o</sub> ~ 6000	Hz
FRAME MATERIAL	SPCC W/ZINC PLATING	-
CONE MATERIAL	MYLAR	-
MAGNET MATERIAL	NdFeB	-
OPERATING TEMPERATURE	-20 ~ +60	°C

REVISIONS			
LTR	DESCRIPTION	DATE	APPROVED
-	RELEASED FROM ENGINEERING	6/6/17	-
A	ADDED FRAME MATERIAL AND POLARITY	8/23/18	M.V.
B	ADDED NOTE 4 REGARDING TERMINALS	8/27/18	M.V.




NOTES:

NEGATIVE (-)      POSITIVE (+)

1. ALL DIMENSIONS ARE IN MILLIMETERS.
2. SPECIFICATION SUBJECT TO CHANGE OR WITHDRAWAL WITHOUT NOTICE.
3. THIS PART IS RoHS 2011/65/EU COMPLIANT.
4. SOLDER TERMINALS ARE TIN PLATED COPPER WITH LEAD-FREE SOLDER (SnCu) PRE-APPLIED.

FILE NAME  
AS04008MR-21-R.DWG

UNLESS OTHERWISE SPECIFIED: ALL PURCHASES ARE SUBJECT TO THE PUI AUDIO TERMS AND CONDITIONS SALE FOUND AT <a href="http://www.puiaudio.com/pdf/terms_conditions.pdf">http://www.puiaudio.com/pdf/terms_conditions.pdf</a> (paper copy available upon request). DIMENSIONS ARE IN MILLIMETERS, TOLERANCES ARE $\pm 0.5$ AND ANGLES ARE $\pm 3^\circ$ .		 <p><b>pui audio</b> inc a projects unlimited company</p>	3541 Stop Eight Road Dayton, Ohio 45414
APPROVALS	DATE		
DRAWN	M. V. 6/17	SIZE A	
CHECKED	M. V. 6/17	SCALE: N.T.S.	
APPROVED	B. R. 6/17	SHEET 1 OF 1	