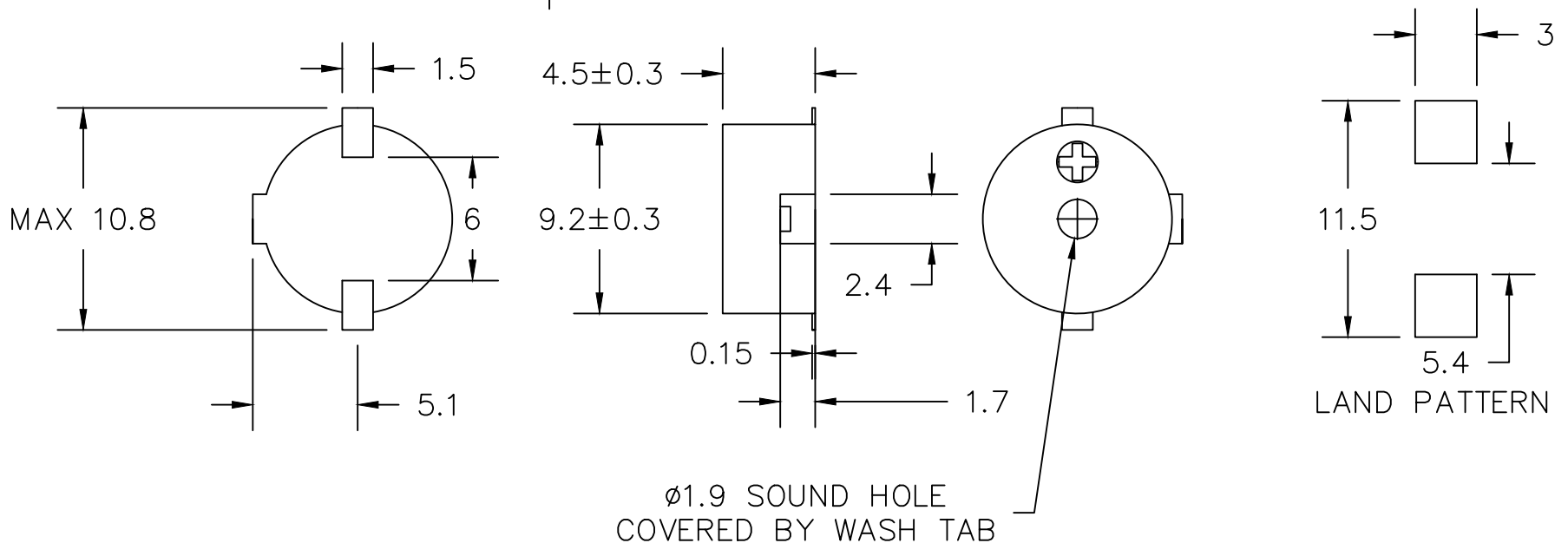


THIS DOCUMENT CONTAINS DATA PROPRIETARY TO PROJECTS UNLIMITED, INC. ANY USE OR REPRODUCTION, IN ANY FORM, WITHOUT PRIOR WRITTEN PERMISSION OF PROJECTS UNLIMITED, INC. IS PROHIBITED.
© 2005, Projects Unlimited Inc.

SPECIFICATIONS

PARAMETERS	VALUES	UNITS
RATED VOLTAGE (SQUARE WAVE)	3	V0-p
OPERATING VOLTAGE RANGE	2 ~ 5	V0-p
RATED CURRENT (MAX)	80	mA
COIL RESISTANCE	16±3	OHM
MINIMUM SPL @ 10 CM	95	dB
RESONANT FREQUENCY	2,700±200	Hz
OPERATING TEMPERATURE	-40 ~ +105	°C
STORAGE TEMPERATURE	-40 ~ +120	°C
HOUSING MATERIAL	LCP	-
WEIGHT	0.4	grams


REVISIONS			
LTR	DESCRIPTION	DATE	APPROVED
-	RELEASED FROM ENGINEERING	6/1/17	



NOTES:

- ALL DIMENSIONS ARE IN MILLIMETERS.
- SPECIFICATION SUBJECT TO CHANGE OR WITHDRAWAL WITHOUT NOTICE.
- THIS PART IS RoHS 2011/65/EU COMPLIANT.

FILE NAME
SMTB-0927-TW-R.DWG

UNLESS OTHERWISE SPECIFIED: ALL PURCHASES ARE SUBJECT TO THE PUI AUDIO TERMS AND CONDITIONS SALE FOUND AT http://www.puiaudio.com/pdf/terms_conditions.pdf (paper copy available upon request). DIMENSIONS ARE IN MILLIMETERS, TOLERANCES ARE ±0.5 AND ANGLES ARE ±3°.		 <p>pui audio inc a projects unlimited company</p>	3541 Stop Eight Road Dayton, Ohio 45414
APPROVALS	DATE		
DRAWN	M.V.	6/17	TRANSDUCER (ELECTRO-MECH) DRAWING NO. SMTB-0927-TW-R
CHECKED	M.V.	6/17	
APPROVED	B.R.	6/17	
SCALE: N.T.S.		SHEET 1 OF 1	