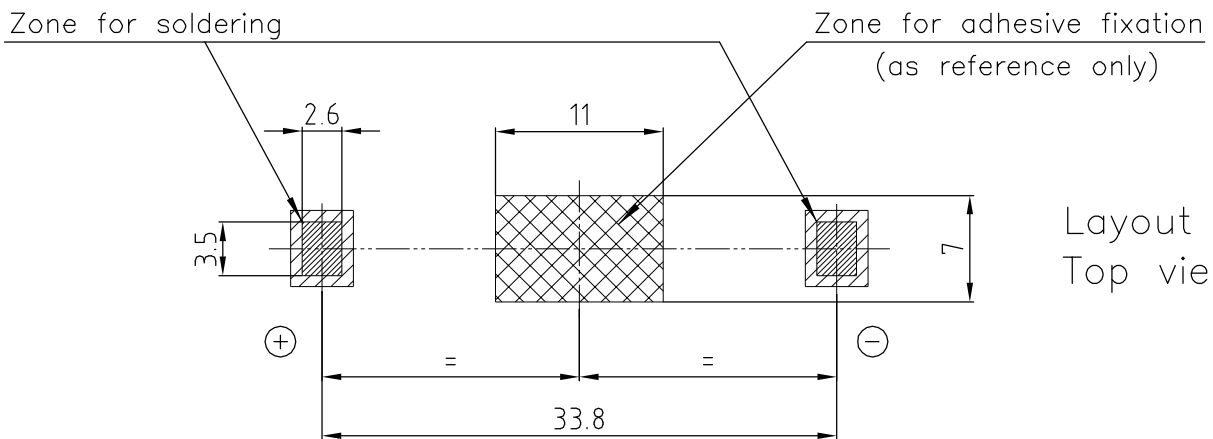
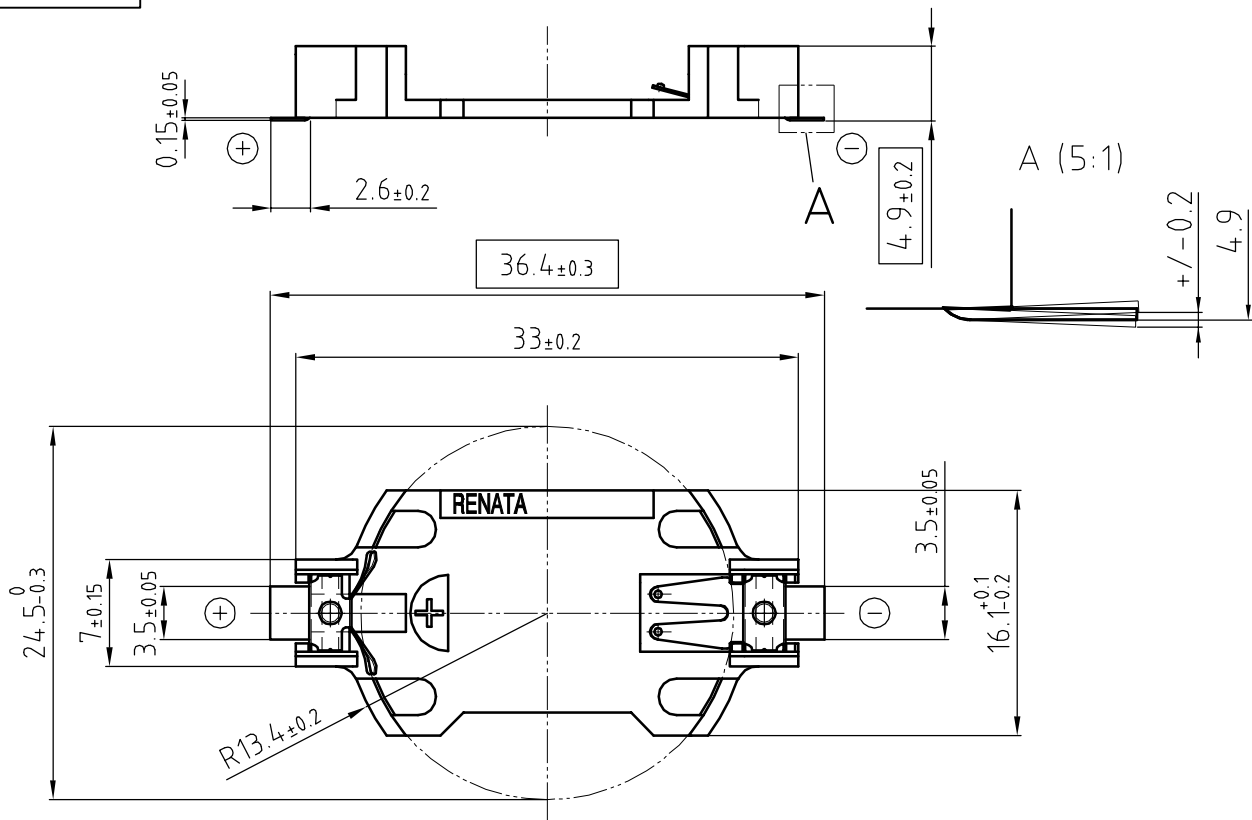


Art.-Number: 701117



All dimensions in mm
 Holder material : heat resistant, glass-fiber reinforced LCP
 Battery contacts : spring stainless steel 301 nickel plated throughout
 Solder contacts : spring stainless steel 301 solder area tin-plated throughout, min. thickness 5um

All framed values will be used for dimension checking !

The Products of Renata SA are neither designed nor authorized for use in certain areas of application of environment.
 For further details we refer to our webpage www.renata.com/downloads/restriction_of_use

Rev. ①	07.09.07	MCi	Rev. ④	29.08.19	PWu		Customer's Approval		
Rev. ②	24.10.07	SRi	Rev. ○				Date		
Rev. ③	15.09.10	Wu Ping	Rev. ○				Signature		
Title:						Scale 2:1	Drawn	25.01.05	SRi
SMTU2430-LF							Checked		
							Approved		
			CH-4452 Itingen Switzerland			3.8761.4-4			

Samples can deviate in the execution from the serie.

- Dimensions and tolerances can be specified only after the testing of the devices for the mass production definitely