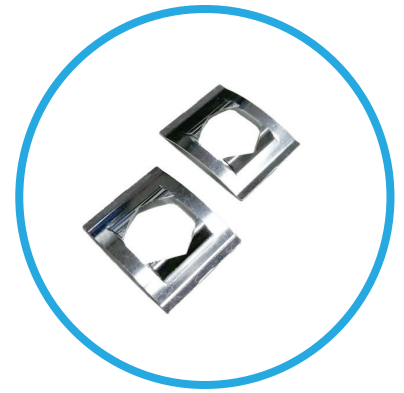




SN0461-C

Speed Nut for Panel Mount Indicator



Speed Nut with coating, which secures the indicator in place.
For 1050, 1052, 1090, 1091 and 1092 Series

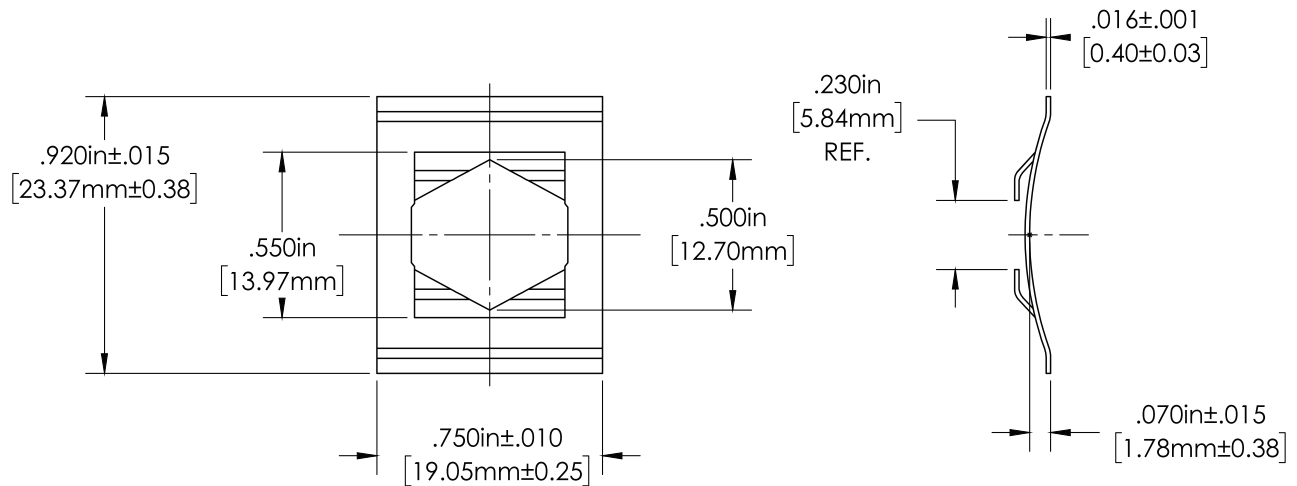
Key Features

- One piece, self-locking, heat-treated, spring-steel fastener that replaces threaded nut, lock washer or spanner washer
- Eliminates time-consuming assembly operations
- Fast and easy to apply, the speed nut fastener provides maximum holding power at minimum cost per fastener
- It does not shake loose from vibration, yet can be easily loosened without worry about rust-frozen screw threads
- For smaller components where space is premium
- Requires less torque than standard hex-nuts
- Can be installed prior to painting process so threads won't fill
- Compliant with RoHS and REACH requirements

Ordering Data

Series	Description
SN0461-C	Speed Nut for Panel Mount Indicator

Product Dimensions



Notes:

1. All dimensions are in inches [mm]