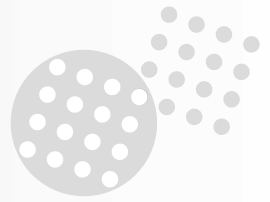


# Rack and panel connectors



## SN 253 SN 353

### Descriptions

- Rack & panel floating coaxial connector compensating for misalignment of  $\pm 1$  mm
- Available in solder or crimp version
- Printed circuit floating receptacle

#### SN 253

- Rack & panel contact coaxial connector, solder type

#### SN 353

- Rack & panel coax connector, crimp type



### Applications

- Civil & military aircraft (instrument panel)
- Defence (interface pylon/munition)

### Technical features

#### SN 253

##### Mechanical

- Shell : copper alloy
- Plating : gold, silver or nickel
- Insulator : black polyamid
- Solder contacts : copper alloy
- Plating : gold with nickel under plating

##### Climatics

- Operating temperature :  $-55^{\circ}\text{C}$   $+85^{\circ}\text{C}$

##### Electrical

- Voltage rating : 500 V
- Contact resistance :  $< 8\text{ m}\Omega$
- Insulation resistance :  $> 5000\text{ M}\Omega$
- Contact rating :
  - 7,5 A Max
  - 5 A nominal

##### Others

- Intermateable with SN 353 connector serie
- Mass : 0,60 g

#### SN 353

##### Mechanical

- Shell : copper alloy
- Plating : nickel
- Insulator : polyamid and black epoxy
- Removable contacts : copper alloy
- Plating : gold with nickel

##### Climatics

- Operating temperature :  $-55^{\circ}\text{C}$   $+85^{\circ}\text{C}$

##### Electrical

- Voltage rating : 500 V
- Contact resistance :  $< 8\text{ m}\Omega$
- Insulation resistance :  $> 5000\text{ M}\Omega$
- Contact rating :
  - 7,5 A Max
  - 5 A nominal

##### Others

- Intermateable with SN 253
- Mass : 5,5 g

For further information, please consult the customer drawing and technical specifications

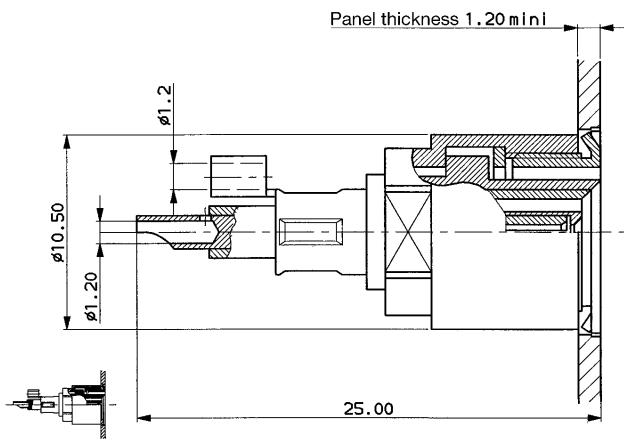
# Rack and panel connectors



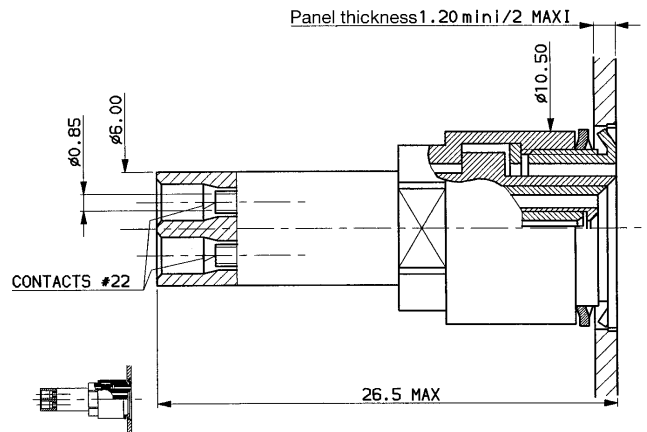
## Dimensions



**SN 253S**



**SN 353S**



**SN 253P**

