

GROUND STUD (FAR SIDE)

1.75 [44.5] INSIDE

1.75 [44.5] INSIDE

1.47 [37.3]

0.44 [11.10] x 0.68 [17.45] OBLONG EACH BRACKET

WALL MOUNTING BRACKET KIT SUPPLIED WITH THE FOLLOWING:
 (4) BRACKETS, (4) M10x1.5 x 19.5mm LG. BOLTS,
 (4) SEALING WASHERS, (4) FLAT WASHERS,
 (4) SPLIT LOCKWASHERS & (4) HEX NUTS

QUARTER-TURN KEYED LATCH

0.69 [17.5]

0.45 [11.4]

0.38 [9.5]

INTERNAL PANEL

"H" OPENING

"A"

"G" OPENING

"J"

"L" PANEL

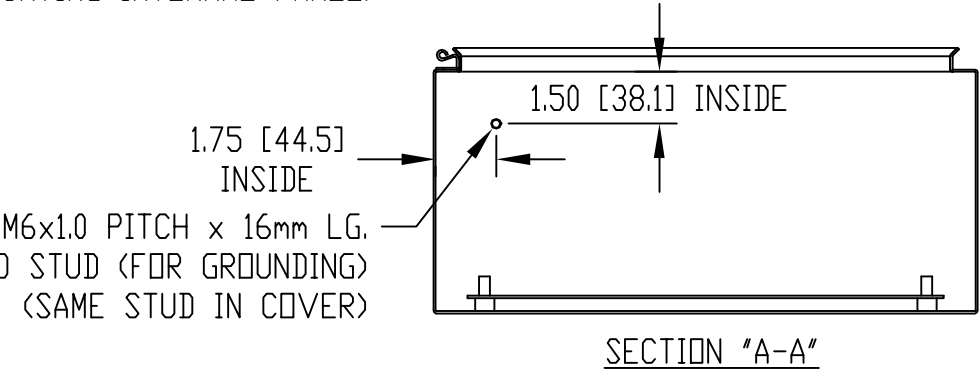
"K"

"M" PANEL (COVER NOT SHOWN)

M8x1.25 PITCH x 16mm LG. WELD STUD/STANDOFF (4x)
 (WITH FLAT WASHER, SPLIT LOCKWASHER & HEX NUT FOR MOUNTING INTERNAL PANEL)

MATERIAL:
 BODY & COVER - 16 GA. [1.5mm] TYPE 304 STAINLESS STEEL
 INTERNAL PANEL - 14 GA. [2.0mm] C.R.S.
 WALL MTG. BRKTS - 14 GA. [2.0mm] TYPE 430 STAINLESS STEEL
 STRIKER - C.R.S.
 HINGE PINS & WALL MTG. HARDWARE - TYPE 201 STAINLESS STEEL
 LATCH - ZINC DIE CAST
 GASKET - 0.38 [9.5] THK. ROGERS CORP. PORDON #4701-30-15375-04 (BLACK)
 SEALING WASHERS - BLACK NEOPRENE
 HOLE PLUGS - LIGHT GRAY NEOPRENE

FINISH:
 BODY & COVER - NATURAL, OUTSIDE SURFACES POLISHED
 INTERNAL PANEL - ZINC PLATED
 WALL MOUNTING BRACKETS & HINGE PINS - NATURAL
 STRIKER - ZINC PLATED
 LATCH - CHROME PLATED



BOXES SUPPLIED WITH GROUNDING KIT THAT CONTAINS THE FOLLOWING: (1) GROUND WIRE, (4) FLAT WASHERS, (2) SPLIT LOCKWASHERS AND (2) HEX NUTS

PART NO.	"A"	"B"	"C"	"D"	"E"	"F"	"G"	"H"	"J"	"K"	"L"	"M"
SNB-3730-SS	9.84 [250]	7.87 [200]	5.91 [150]	5.33 [135.4]	11.12 [282.3]	6.42 [163]	8.25 [209.6]	6.28 [159.6]	6.89 [175]	4.92 [125]	8.46 [215]	5.91 [150]
SNB-3738-SS	7.87 [200]	5.91 [150]	5.91 [150]	5.33 [135.4]	9.15 [232.3]	4.45 [113]	6.28 [159.6]	4.31 [109.6]	4.92 [125]	2.95 [75]	6.50 [165]	3.94 [100]
SNB-3739-SS	7.87 [200]	7.87 [200]	3.98 [101]	3.40 [86.4]	9.15 [232.3]	6.42 [163]	6.28 [159.6]	6.28 [159.6]	4.92 [125]	4.92 [125]	6.50 [165]	5.91 [150]
SNB-3740-SS	9.84 [250]	9.84 [250]	5.91 [150]	5.33 [135.4]	11.12 [282.3]	8.39 [213]	8.25 [209.6]	8.25 [209.6]	6.89 [175]	6.89 [175]	8.46 [215]	7.87 [200]
SNB-3741-SS	9.84 [250]	7.87 [200]	3.98 [101]	3.40 [86.4]	11.12 [282.3]	6.42 [163]	8.25 [209.6]	6.28 [159.6]	6.89 [175]	4.92 [125]	8.46 [215]	5.91 [150]