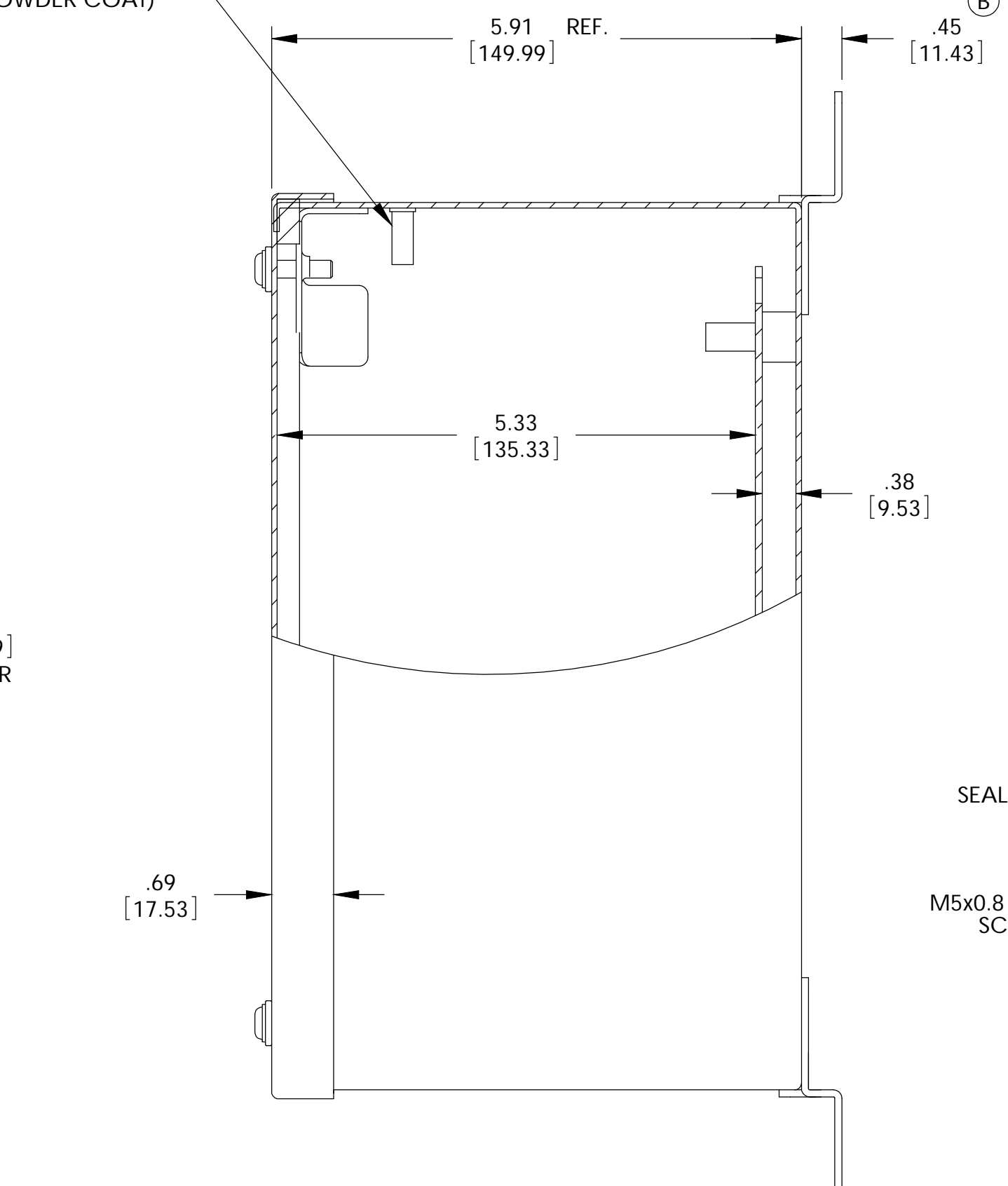
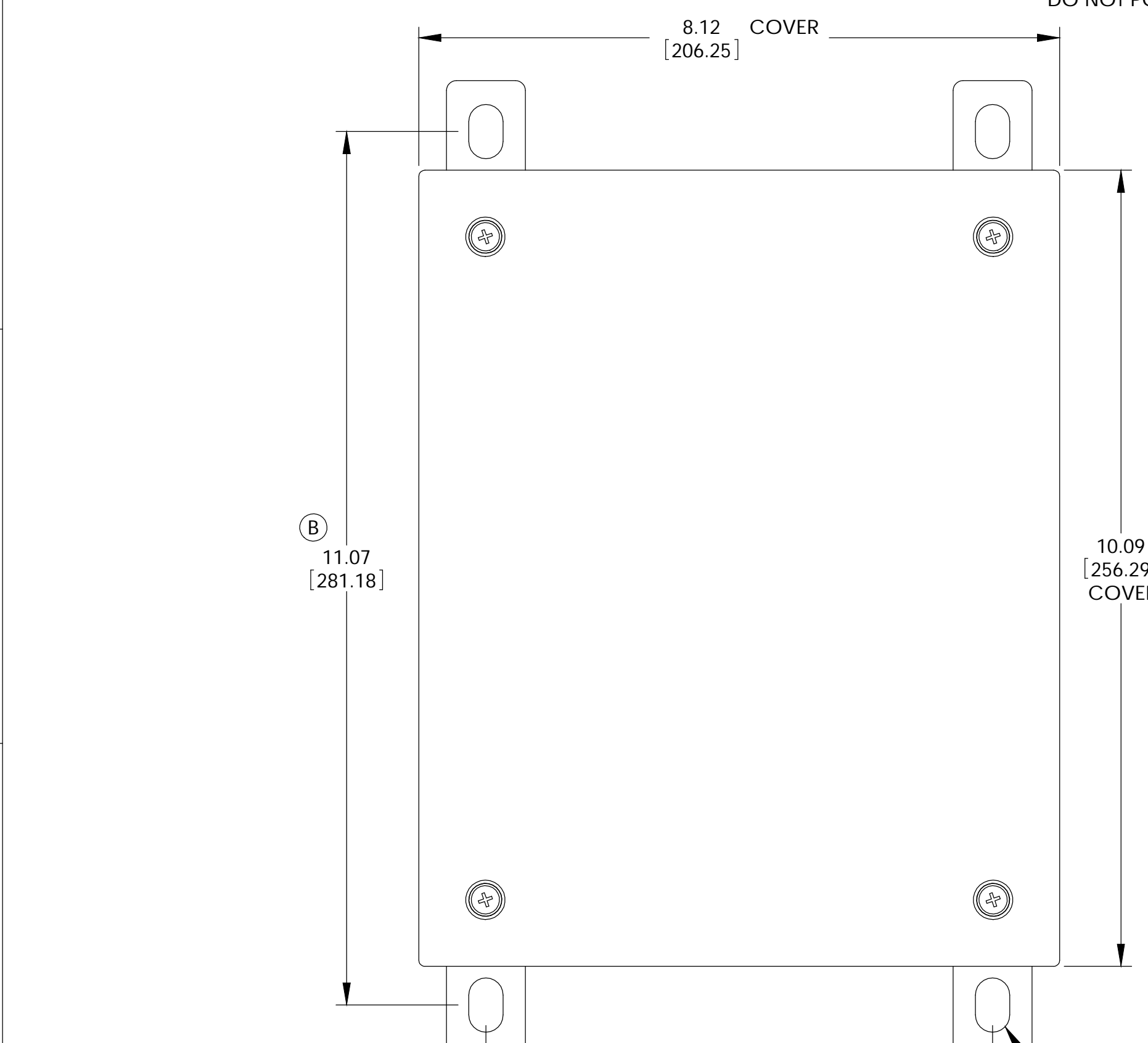


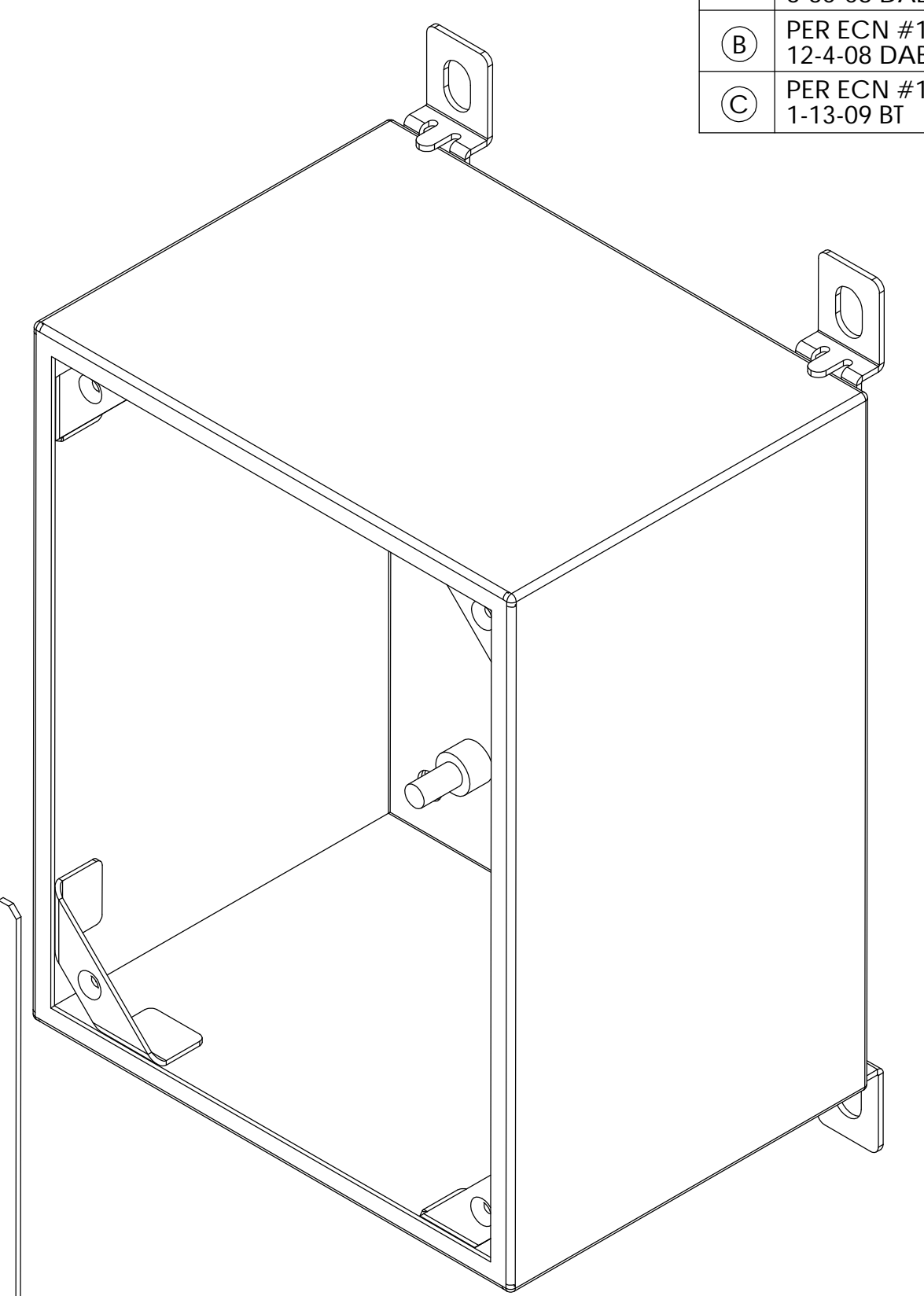
THE INFORMATION CONTAINED IN THIS DRAWING IS THE SOLE PROPERTY OF BUD INDUSTRIES INC. ANY REPRODUCTION IN PART OR WHOLE WITHOUT THE WRITTEN PERMISSION OF BUD INDUSTRIES INC. IS PROHIBITED.

DWG. NO. SNC-3750	
ISSUE	REVISIONS
(A)	REVISED DESIGN 6-30-08 DAB
(B)	PER ECN #10404 12-4-08 DAB
(C)	PER ECN #10446 1-13-09 BT



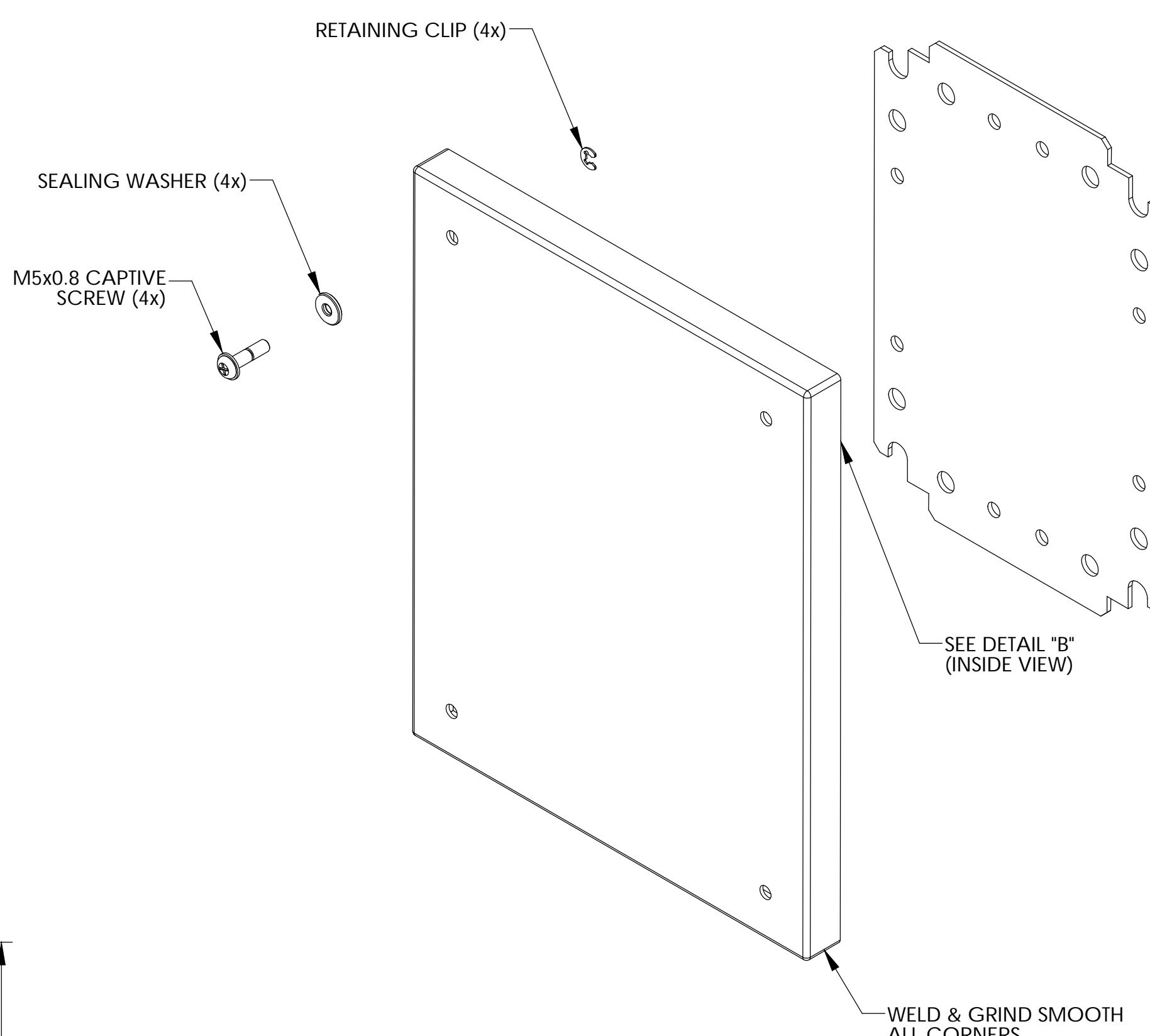
**MATERIAL:**  
 BODY, COVER MOUNTING BRACKETS, COVER - 16 GA. [1.5mm] C.R.S.  
 INTERNAL PANEL - 14 GA. [2.0mm] C.R.S.  
 WALL MOUNTING BRACKETS - 14 GA. [2.0mm] STAINLESS STEEL  
 HARDWARE - STAINLESS STEEL  
 GASKET - .25 [6.35] THICK NEOPRENE (BLACK) OR EQUIVALENT  
 SEALING WASHERS - BLACK NEOPRENE OR EQUIVALENT

**FINISH:**  
 BODY & COVER - LIGHT GRAY SMOOTH POWDER COAT  
 INTERNAL PANEL - ZINC CHROMATE  
 WALL MOUNTING BRACKETS - NATURAL



WALL MOUNTING BRACKET KIT TO CONTAIN THE FOLLOWING:  
 (4) BRACKETS, (4) BOLTS, (4) SEALING WASHERS, (4) FLAT WASHERS, (4) LOCKWASHERS & (4) HEX NUTS

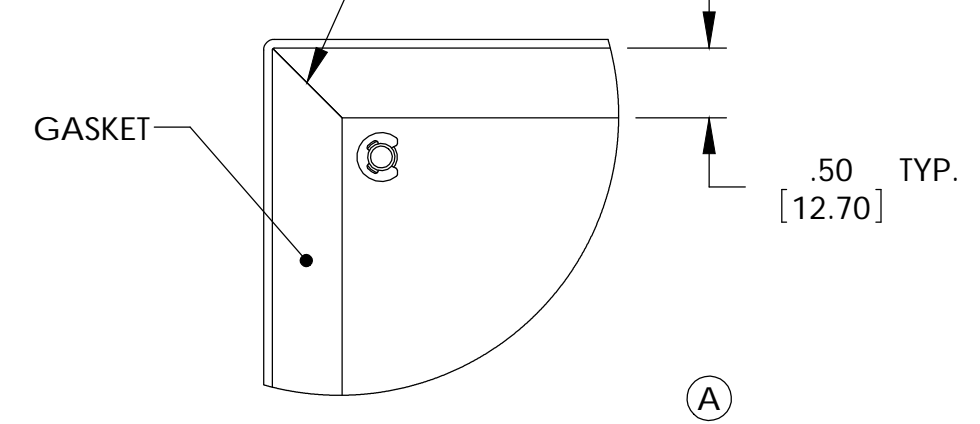
6.42 [163.07] (B)(C) .437 [11.10] x .687 [17.45] OBLONG EACH BRACKET



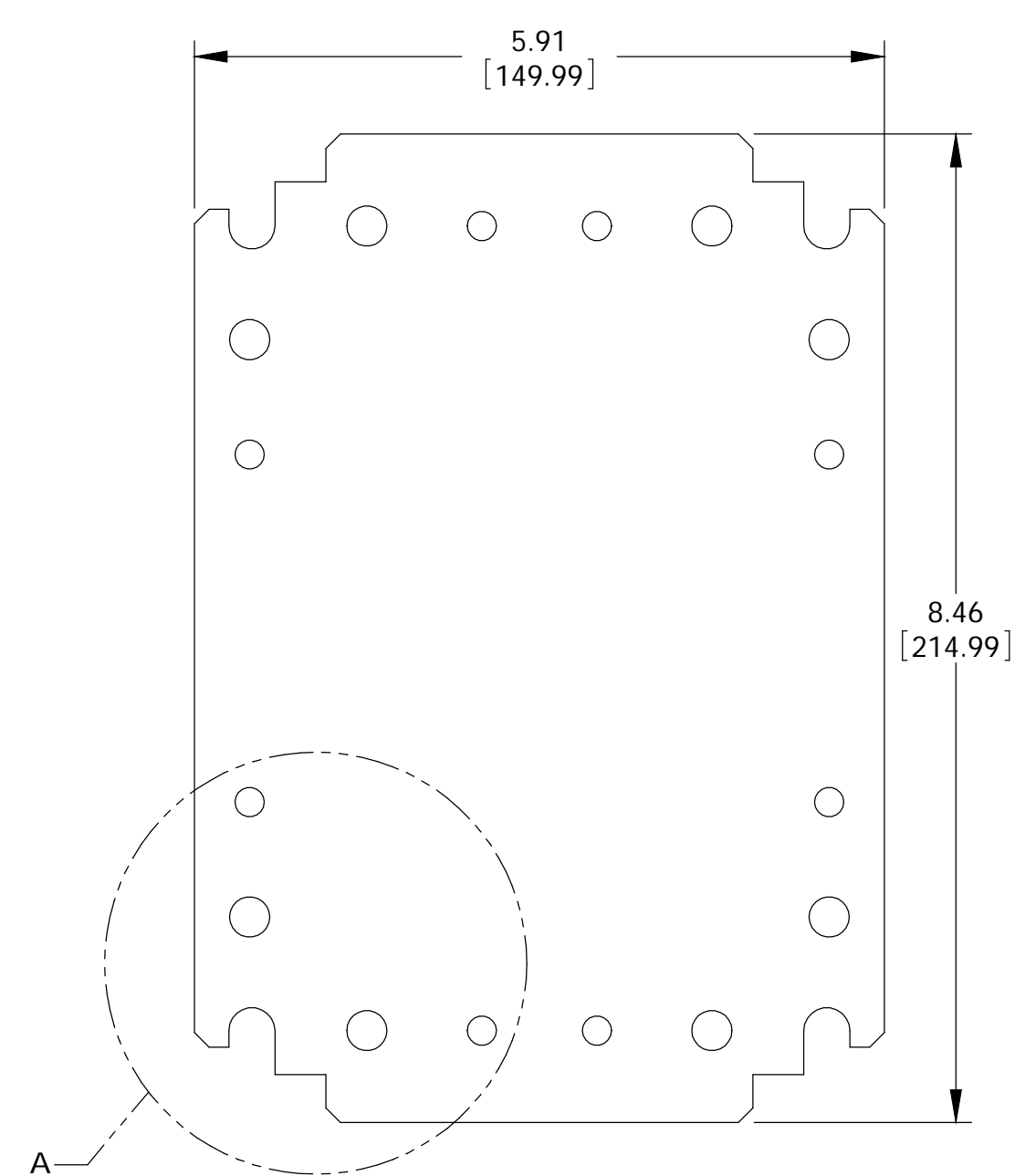
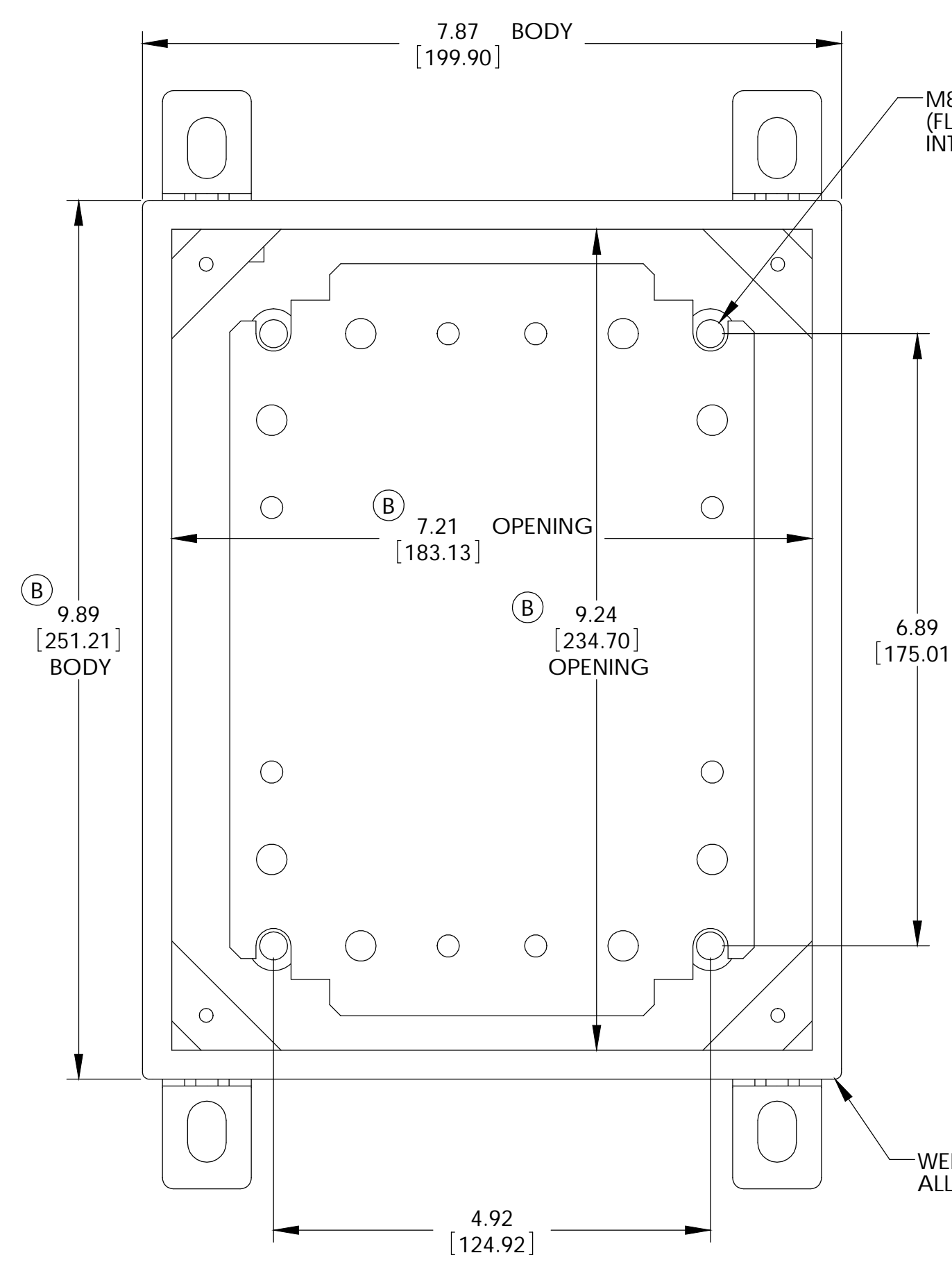
SEE DETAIL "B" (INSIDE VIEW)

WELD & GRIND SMOOTH ALL CORNERS

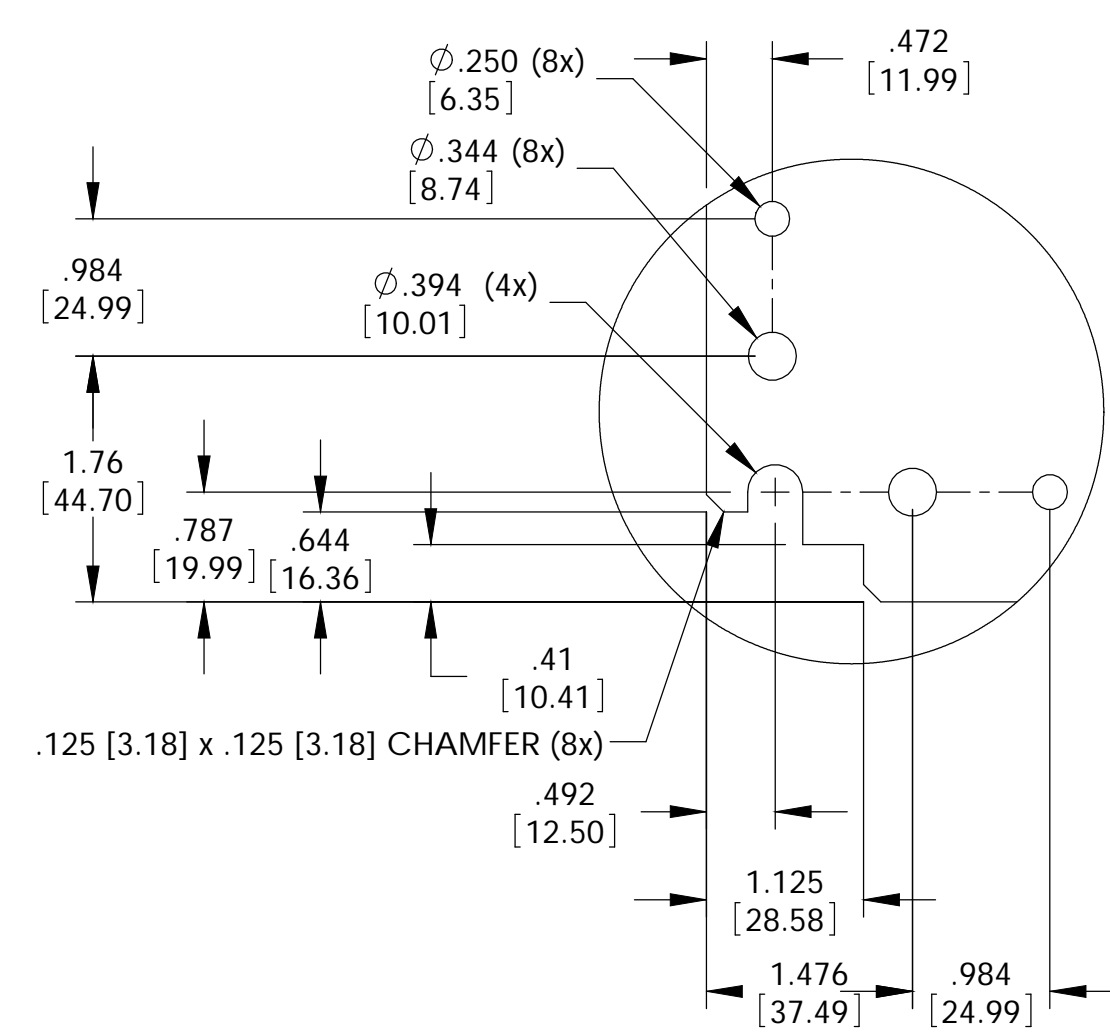
NO GAP BETWEEN GASKET JOINT. OPTIONALLY JOINT MAY BE SEALED WITH ADHESIVE.



DETAIL B SCALE 2 : 2.75



INTERNAL PANEL DETAIL



DETAIL A SCALE 2 : 2.75

WELD & GRIND SMOOTH ALL CORNERS & SEAMS

FRONT VIEW (LESS COVER)

PARTS LIST		BUD INDUSTRIES INC.	
UNLESS OTHERWISE SPECIFIED ALL DIMENSIONS ARE IN INCHES (MILLIMETERS)	CAD GENERATED DRAWING. DO NOT MANUALLY UPDATE	APPROVALS	DATE
TOLERANCES: XX .03 MAX. ETD		DAB	5-5-08
MATERIAL: AS NOTED	CHECKED		
FINISH: AS NOTED	APPROVED		
DO NOT SCALE DRAWING			

NEMA SHEET METAL BOX w/LIFT-OFF SCREW COVER

QTY.	USED ON	DO NOT SCALE DRAWING	SCALE	CAD FILE	SHEET 1 OF 1

SIZE DWG. NO. SNC-3750  
 SCALE [CAD FILE]