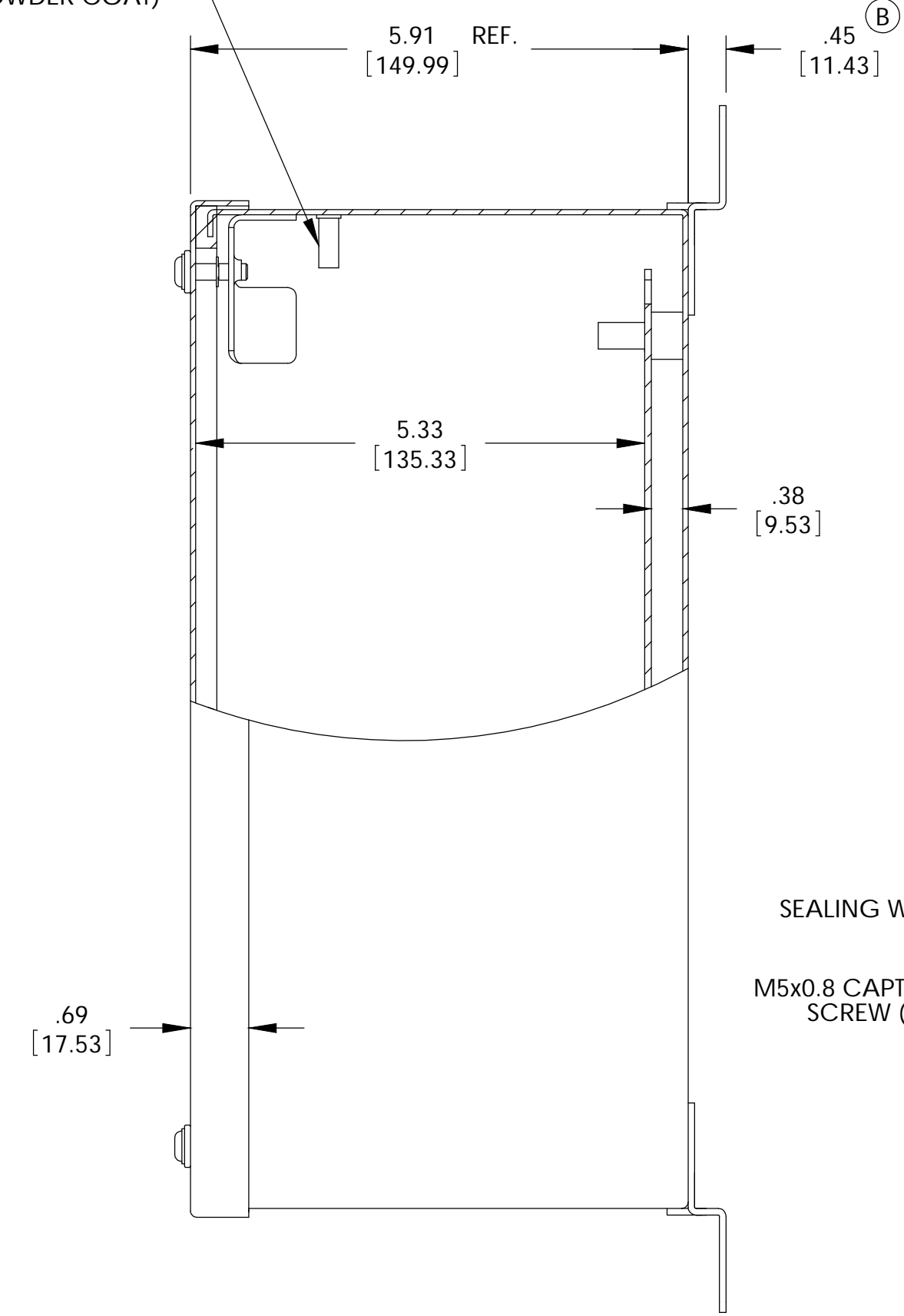
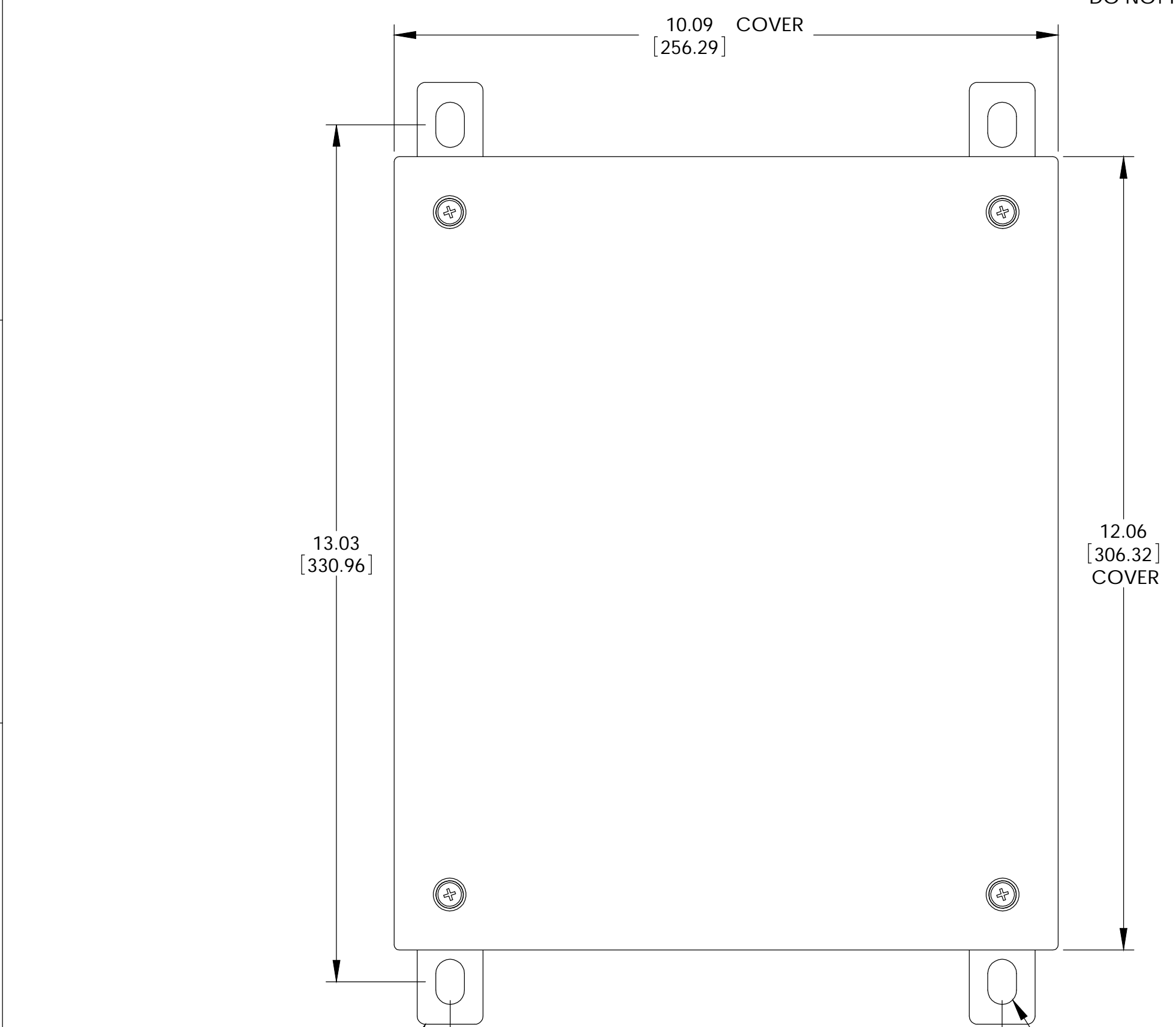


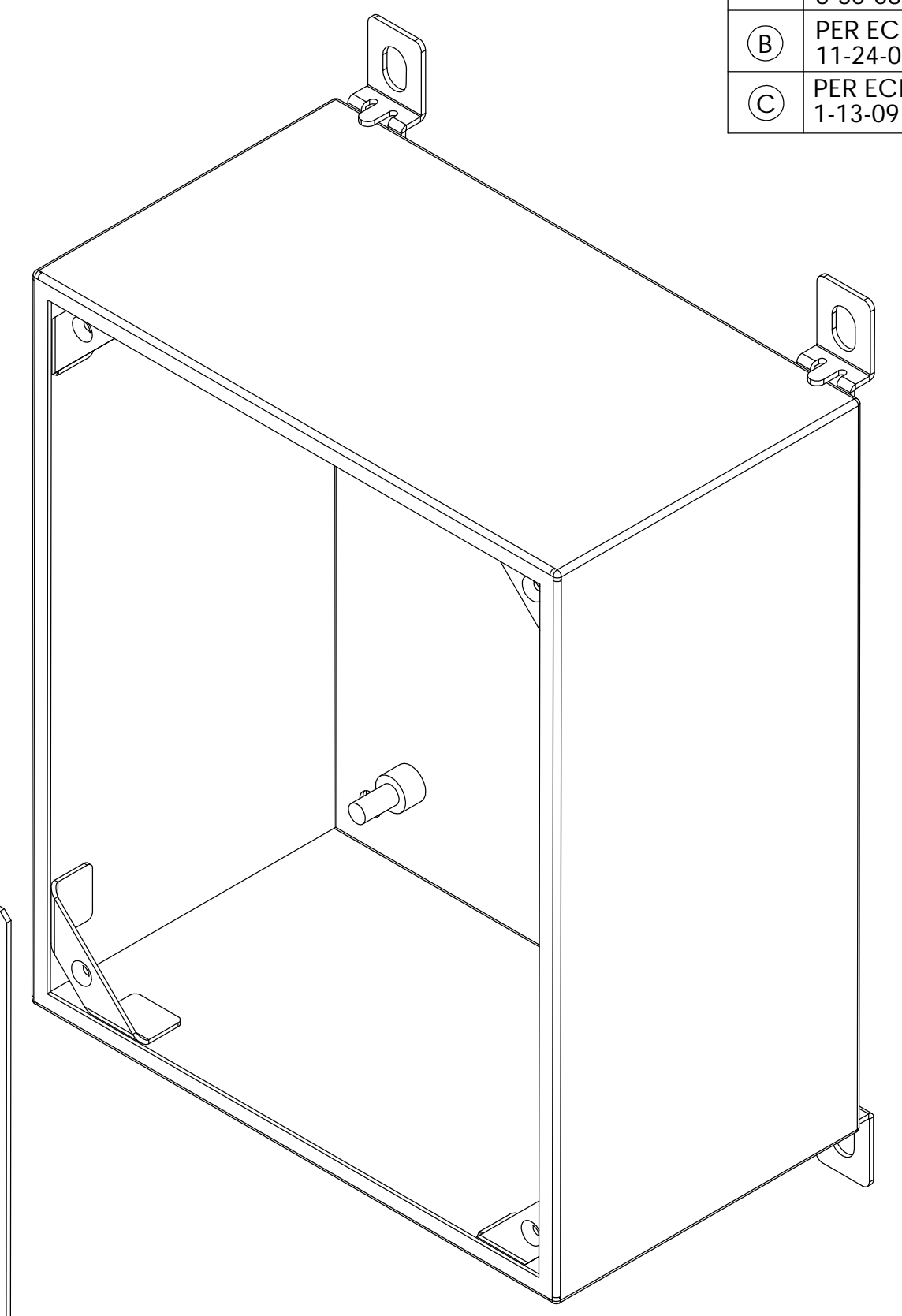
THE INFORMATION CONTAINED IN THIS DRAWING IS THE SOLE PROPERTY OF BUD INDUSTRIES INC. ANY REPRODUCTION IN PART OR WHOLE WITHOUT THE WRITTEN PERMISSION OF BUD INDUSTRIES INC. IS PROHIBITED.

DWG. NO. SNC-3751	
ISSUE	REVISIONS
(A)	REVISED DESIGN 6-30-08 DAB
(B)	PER ECN #10404 11-24-08 DAB
(C)	PER ECN #10446 1-13-09 BT

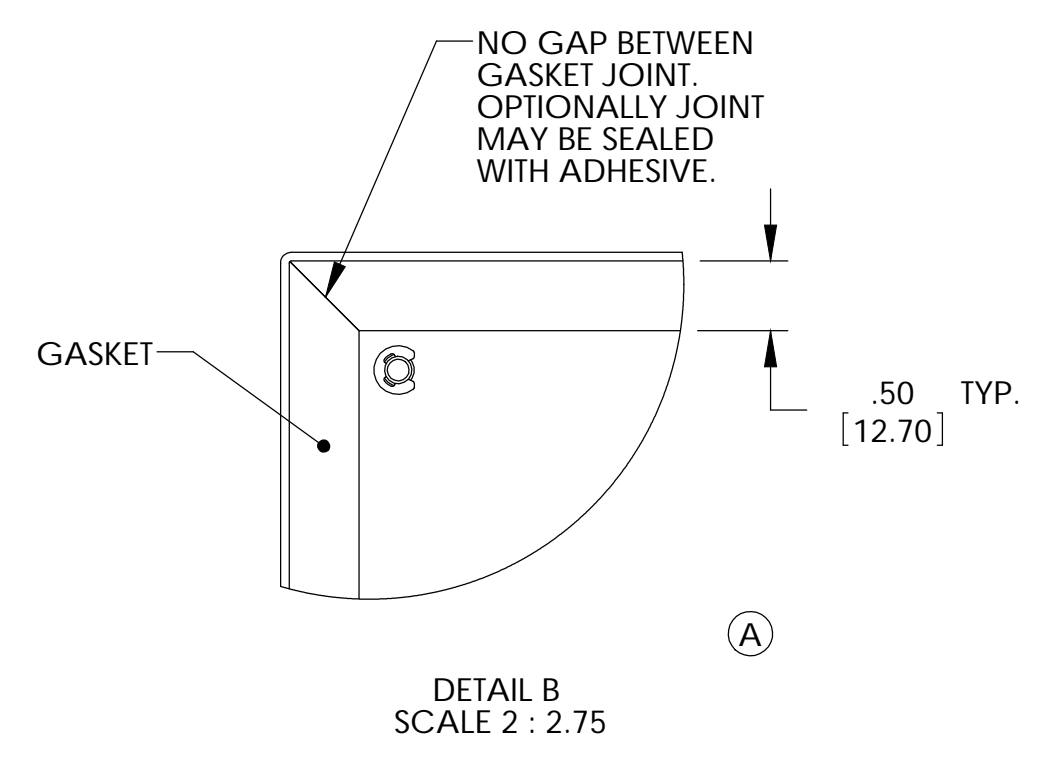
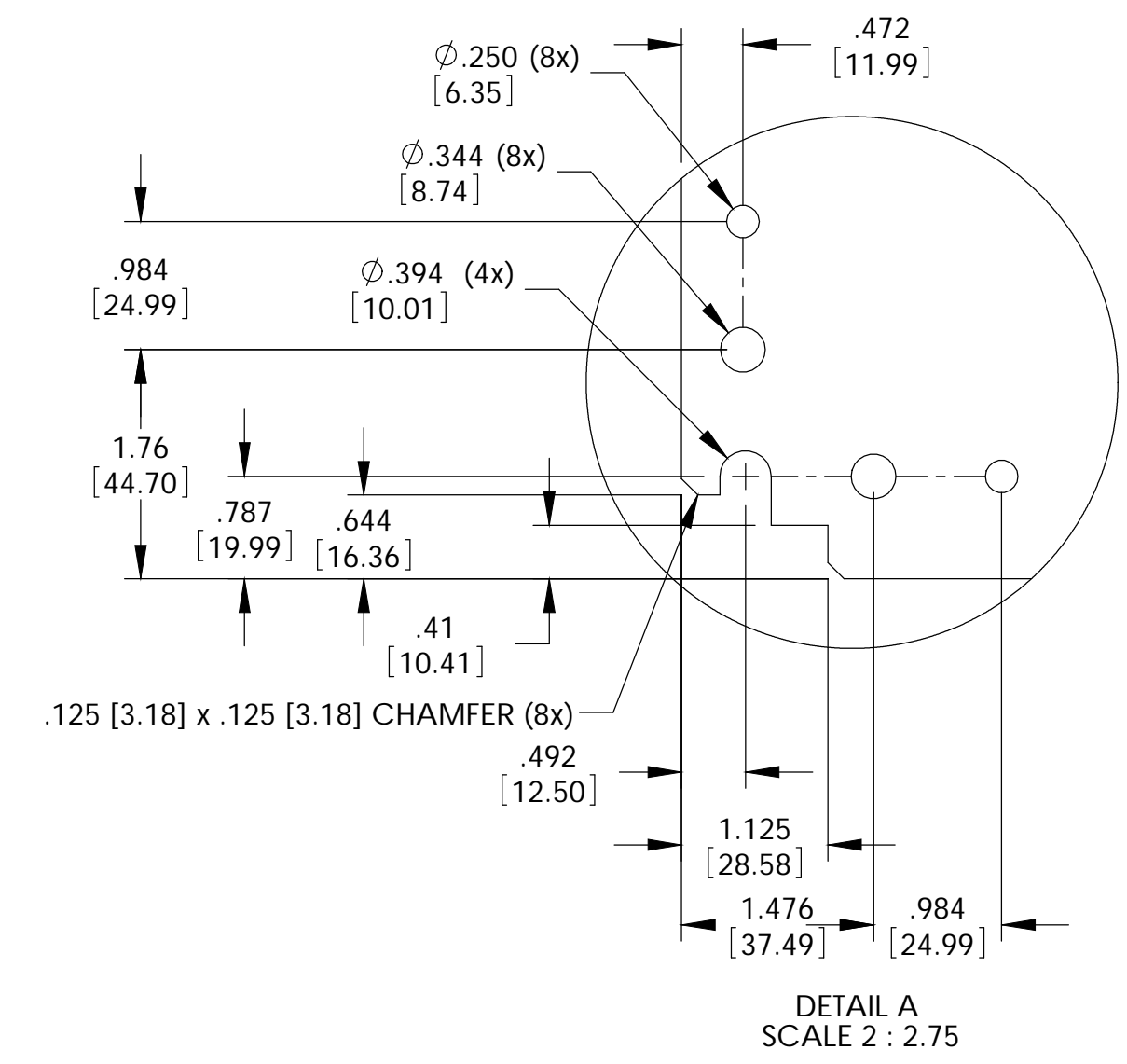
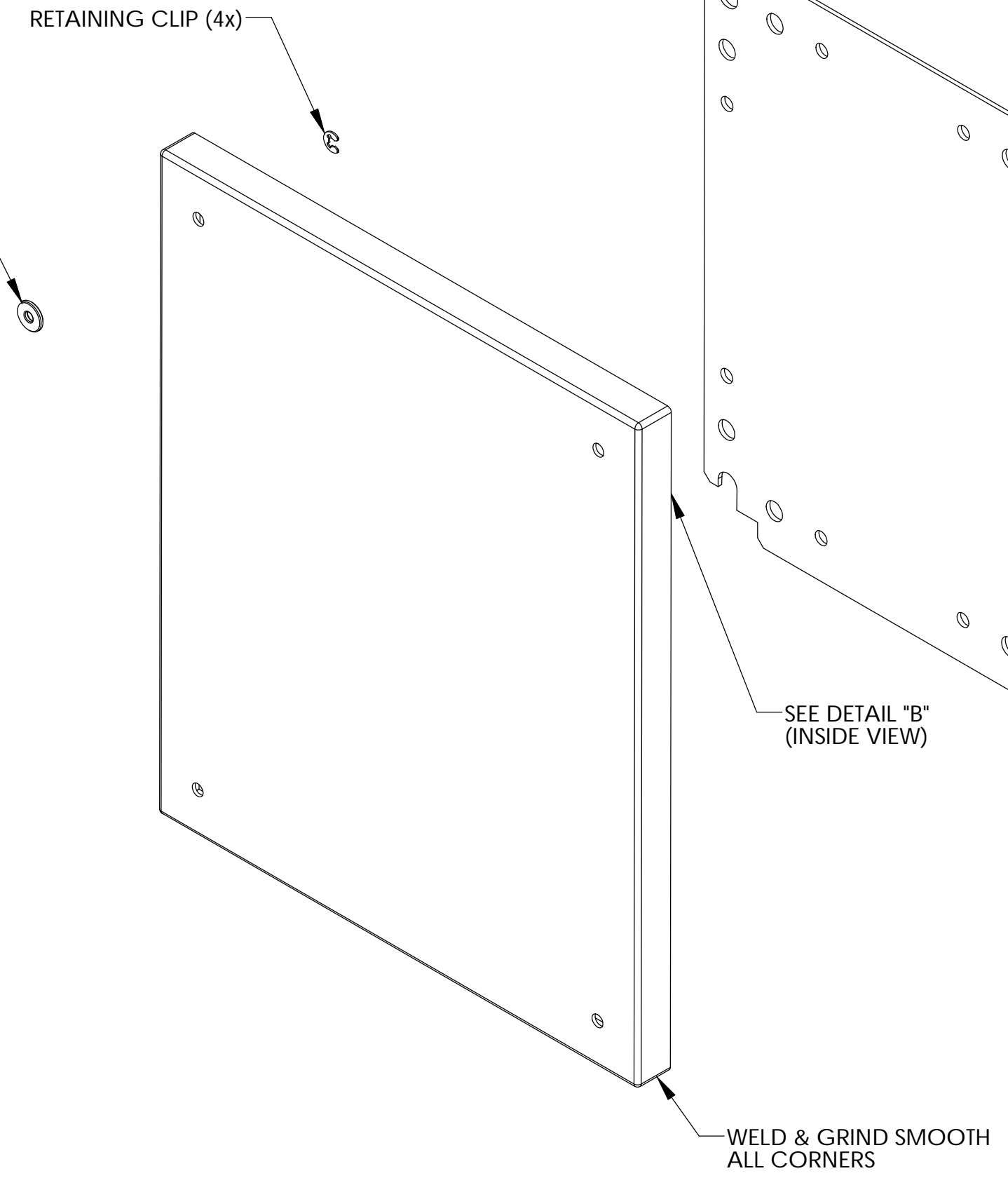
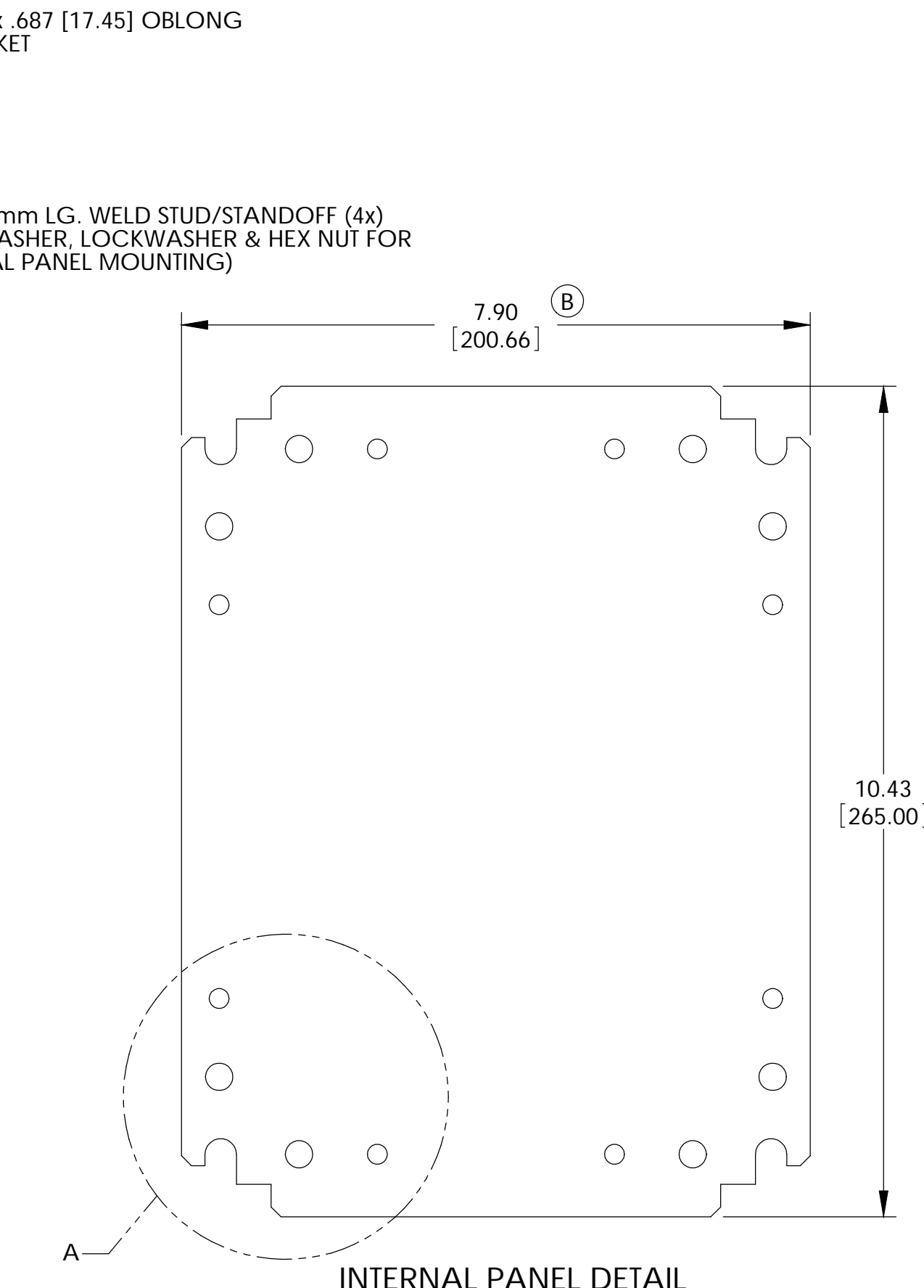
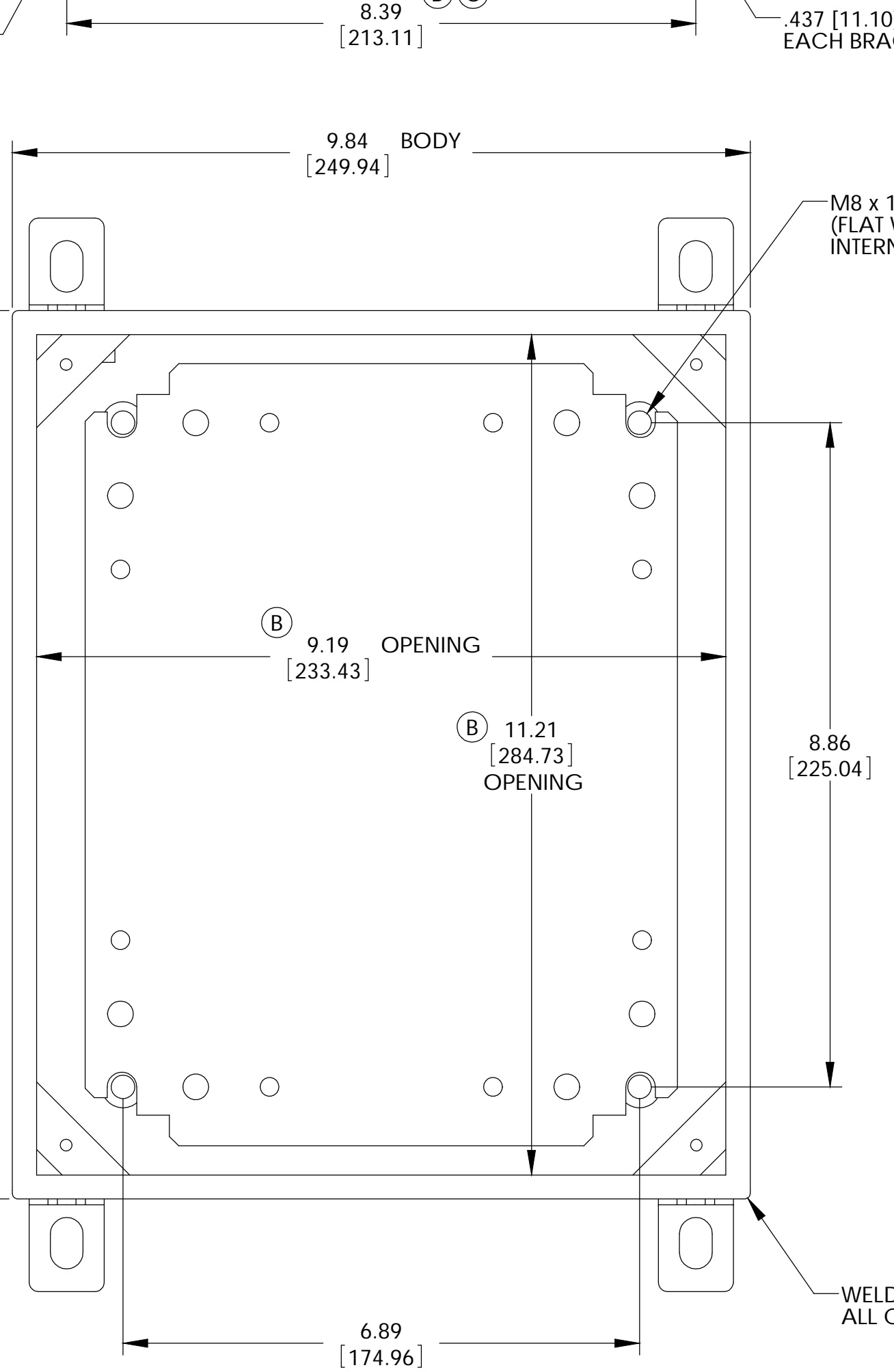


**MATERIAL:**  
 BODY, COVER MOUNTING BRACKETS, COVER - 16 GA. [1.5mm] C.R.S.  
 INTERNAL PANEL - 14 GA. [2.0mm] C.R.S.  
 WALL MOUNTING BRACKETS - 14 GA. [2.0mm] STAINLESS STEEL  
 HARDWARE - STAINLESS STEEL  
 GASKET - .25 [6.35] THICK NEOPRENE (BLACK) OR EQUIVALENT  
 SEALING WASHERS - BLACK NEOPRENE OR EQUIVALENT

**FINISH:**  
 BODY & COVER - LIGHT GRAY SMOOTH POWDER COAT  
 INTERNAL PANEL - ZINC CHROMATE  
 WALL MOUNTING BRACKETS - NATURAL



WALL MOUNTING BRACKET KIT TO CONTAIN THE FOLLOWING:  
 (4) BRACKETS, (4) BOLTS, (4) SEALING WASHERS, (4) FLAT WASHERS, (4) LOCKWASHERS & (4) HEX NUTS



FRONT VIEW (LESS COVER)

INTERNAL PANEL DETAIL

DETAIL A SCALE 2 : 2.75

DETAIL B SCALE 2 : 2.75

UNLESS OTHERWISE SPECIFIED ALL DIMENSIONS ARE IN INCHES (MILLIMETERS)		PARTS LIST	
TOLERANCES:	XX .03	APPROVALS	DATE
XXX .010		DAB	5-5-08
MATERIAL:	AS NOTED	CHECKED	
FINISH:	AS NOTED	APPROVED	

BUD INDUSTRIES INC.

NEMA SHEET METAL BOX w/LIFT-OFF SCREW COVER

QTY.	USED ON	DO NOT SCALE DRAWING	SCALE	CAD FILE	SHEET 1 OF 1

SIZE [DWG. NO. SNC-3751] REV.