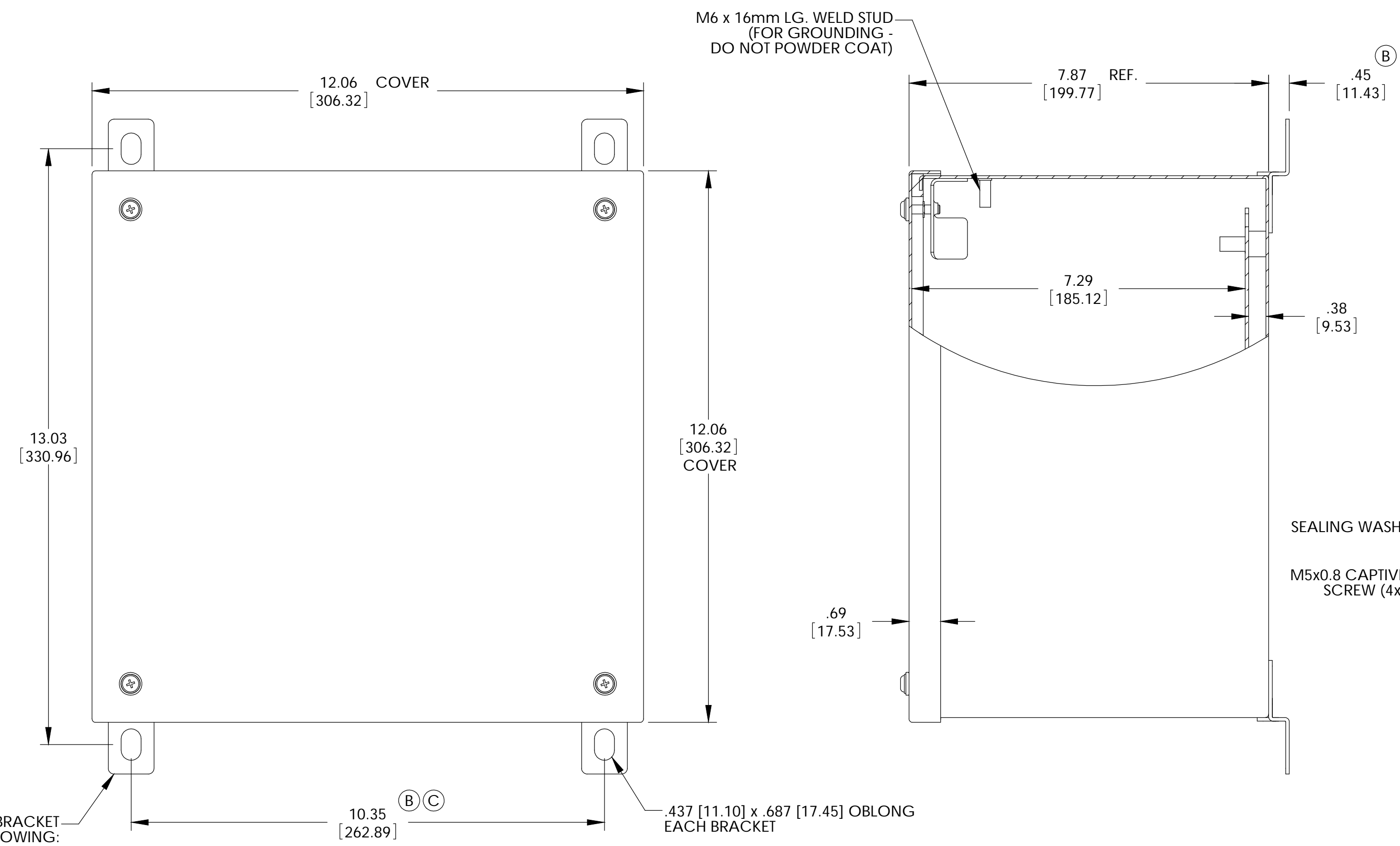


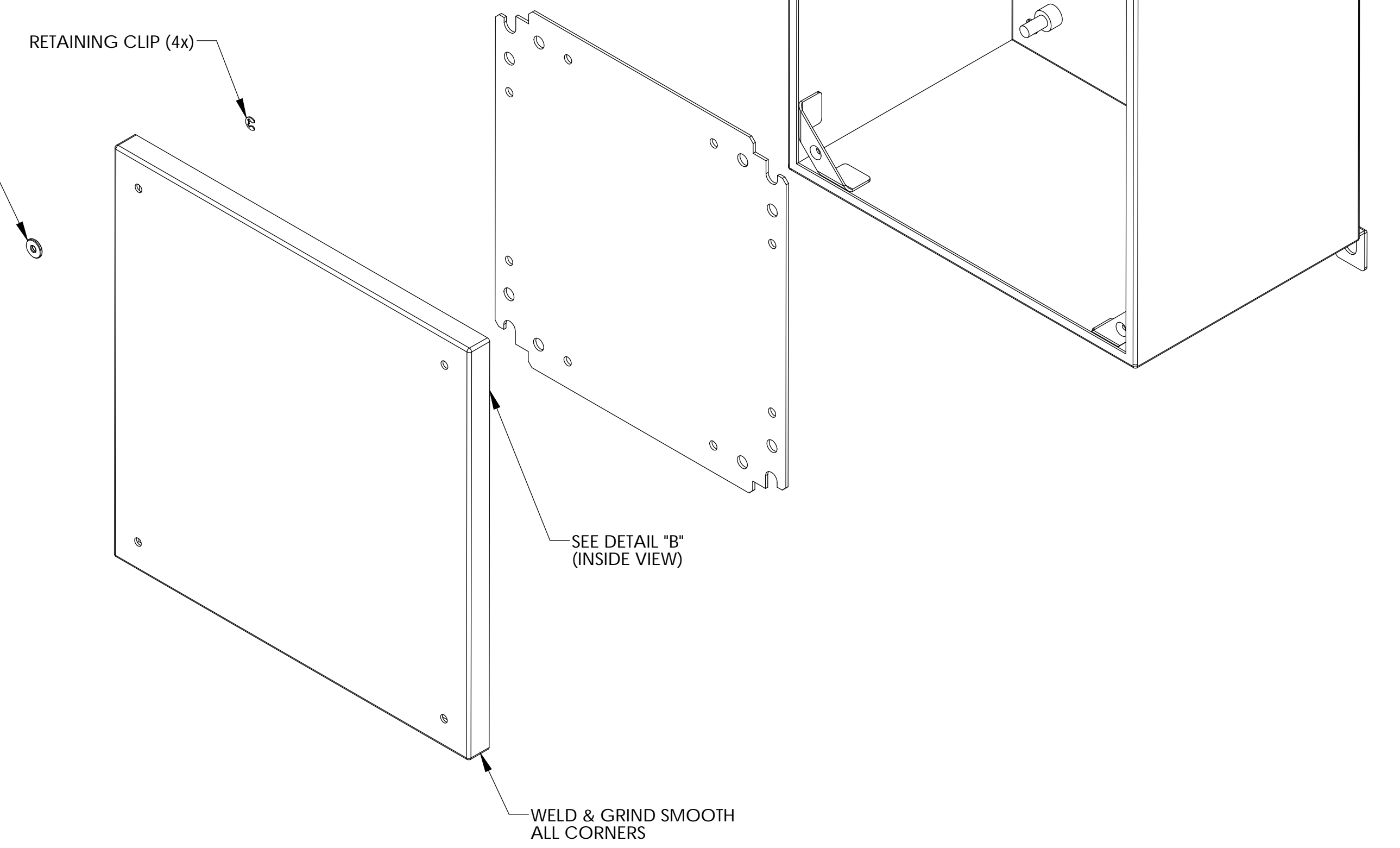
THE INFORMATION CONTAINED IN THIS DRAWING IS THE SOLE PROPERTY OF BUD INDUSTRIES INC. ANY REPRODUCTION IN PART OR WHOLE WITHOUT THE WRITTEN PERMISSION OF BUD INDUSTRIES INC. IS PROHIBITED.

DWG. NO. SNC-3754	
ISSUE	REVISIONS
(A)	REVISED DESIGN 6-30-08 DAB
(B)	PER ECN #10404 12-4-08 DAB
(C)	PER ECN #10446 1-13-09 BT

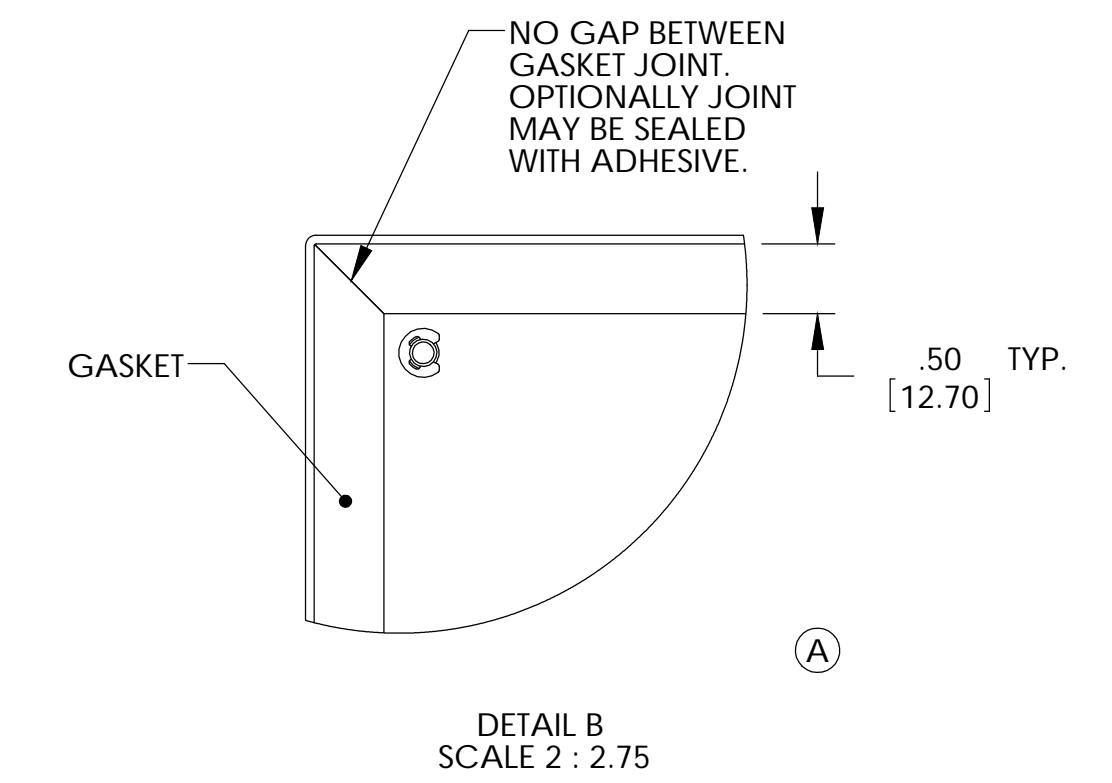
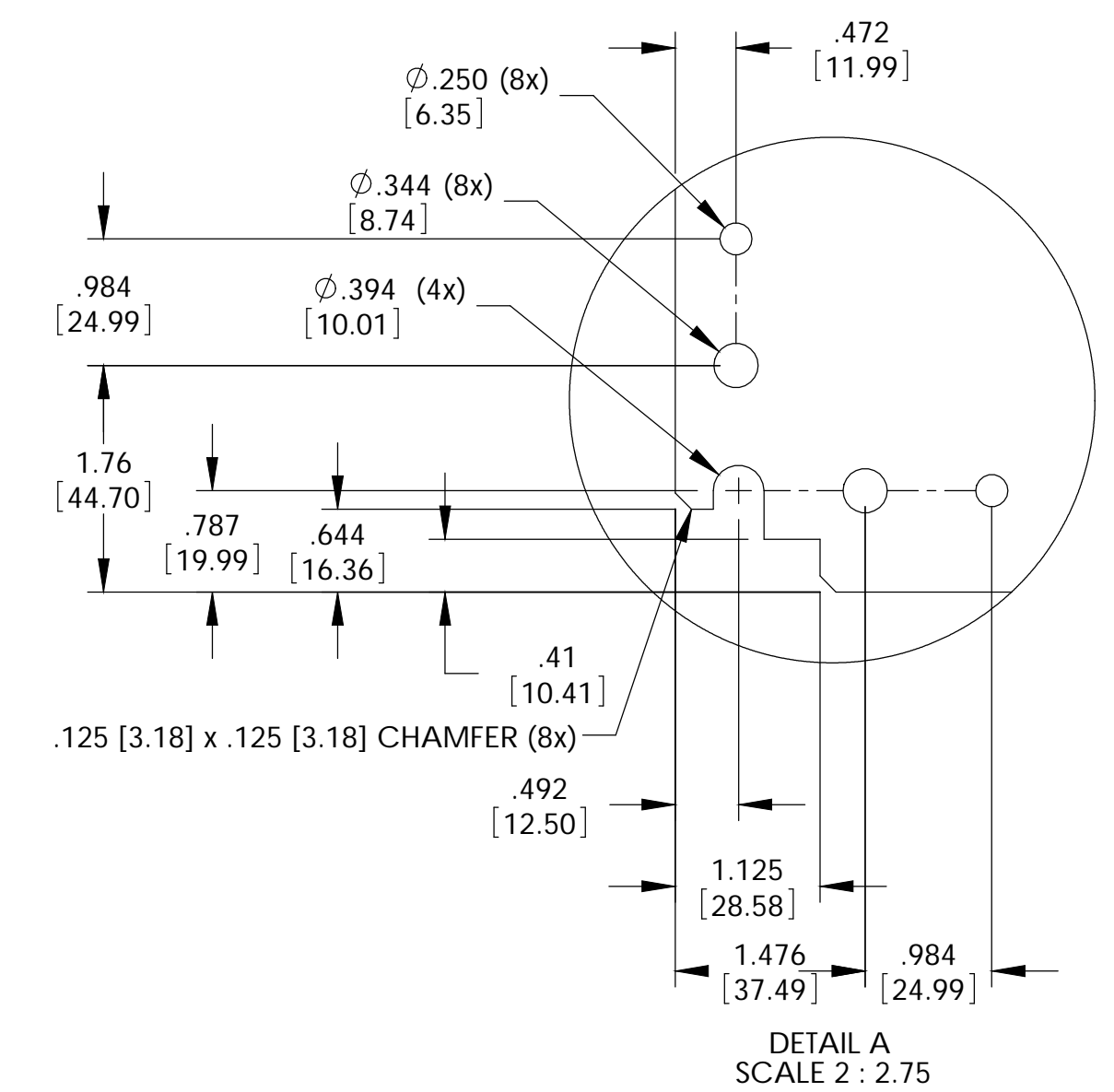
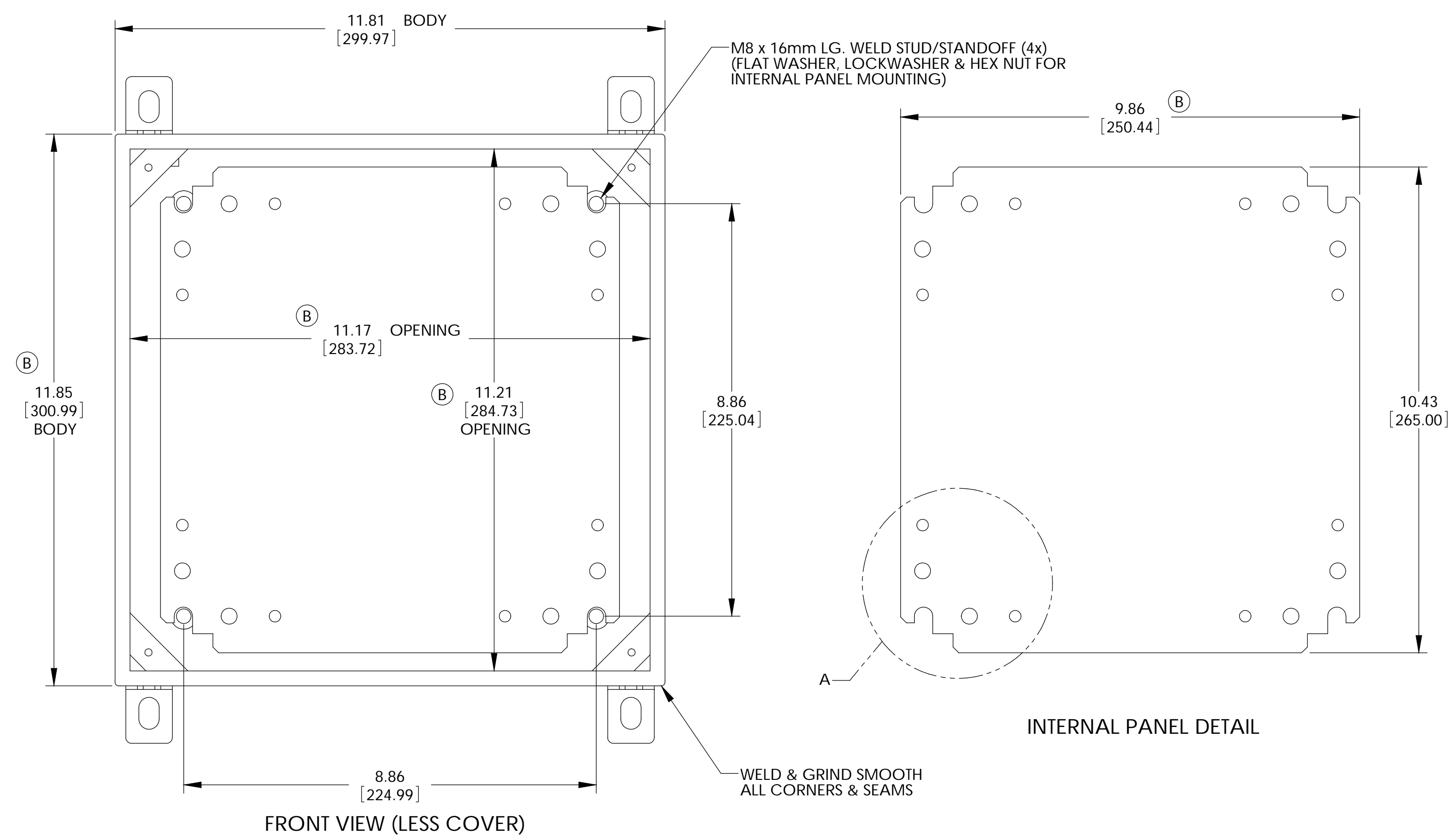


**MATERIAL:**  
 BODY, COVER MOUNTING BRACKETS, COVER - 16 GA. [1.5mm] C.R.S.  
 INTERNAL PANEL - 14 GA. [2.0mm] C.R.S.  
 WALL MOUNTING BRACKETS - 14 GA. [2.0mm] STAINLESS STEEL  
 HARDWARE - STAINLESS STEEL  
 GASKET - .25 [6.35] THICK NEOPRENE (BLACK) OR EQUIVALENT  
 SEALING WASHERS - BLACK NEOPRENE OR EQUIVALENT

**FINISH:**  
 BODY & COVER - LIGHT GRAY SMOOTH POWDER COAT  
 INTERNAL PANEL - ZINC CHROMATE  
 WALL MOUNTING BRACKETS - NATURAL



WALL MOUNTING BRACKET KIT TO CONTAIN THE FOLLOWING:  
 (4) BRACKETS, (4) BOLTS, (4) SEALING WASHERS, (4) FLAT WASHERS, (4) LOCKWASHERS & (4) HEX NUTS



PARTS LIST		BUD INDUSTRIES INC.	
UNLESS OTHERWISE SPECIFIED ALL DIMENSIONS ARE IN INCHES (MILLIMETERS)	CAD GENERATED DRAWING, DO NOT MANUALLY UPDATE	DATE	5-5-08
TOLERANCES: DIMENSIONAL: .001, .002, .010	APPROVALS: DAB	DATE	5-5-08
MATERIAL: AS NOTED	CHECKED: DAB	DATE	5-5-08
FINISH: AS NOTED	APPROVED:	DATE	

QTY.	USED ON	DO NOT SCALE DRAWING	SCALE	CAD FILE	SHEET 1 OF 1
------	---------	----------------------	-------	----------	--------------

SIZE [DWG. NO.] SNC-3754  
 SCALE [CAD FILE]