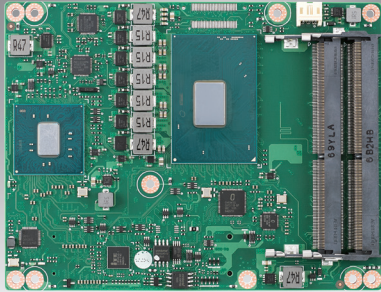


SOM-5898

7th Gen Intel® Xeon® /Core™ Processors COM Express Basic Module Type 6

NEW



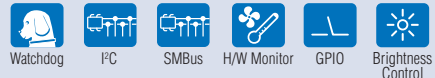
Windows Embedded

iManager WISE-PaaS/RMM CE FC

Features

- 7th Gen Intel Xeon® /Core™ Quad/Dual Cores + PCH QM175/CM238
- Dual channel DDR4 2400, Max 32GB (ECC optional)
- Support Three independent symmetrical displays (up to 4K)
- Flexible I/O support: Gen3 PEG and PCIe, USB3.0 and SATA3
- Supports iManager, WISE-PaaS/RMM and Embedded Software APIs

Software APIs:



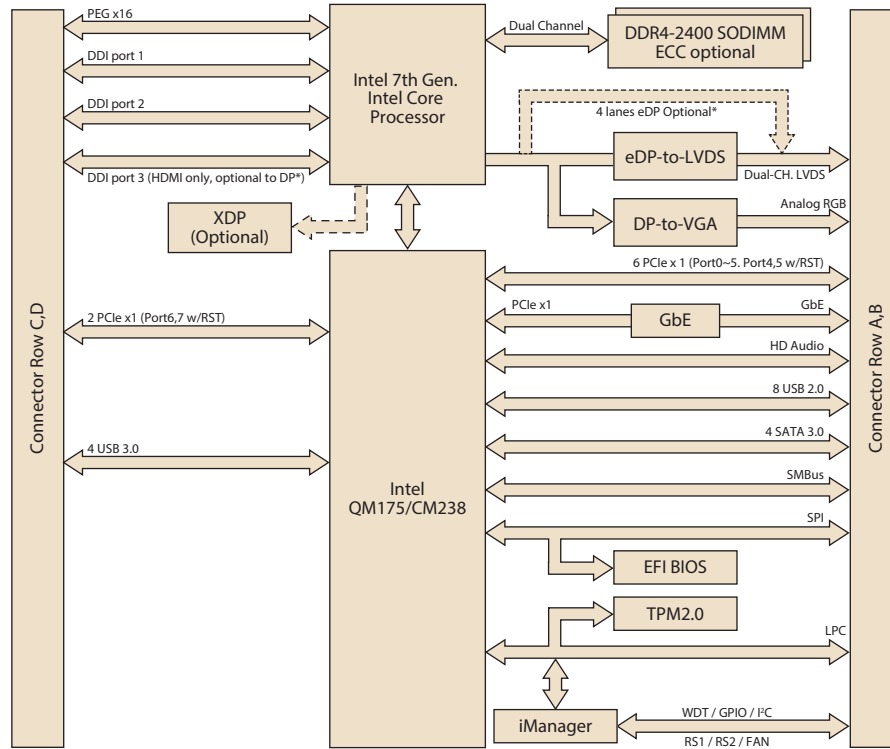
Utilities:



Specifications

Compliance	Form-Factor	COM Express Basic Module								
	Pin-out Type	COM Express R2.1 Type 6 pin out								
Processor System	CPU	i7-7820EQ	i5-7440EQ	i5-7442EQ	i3-7100E	i3-7102E	E3-1505MV6	E3-1505LV6	E3-1501MV6	E3-1501LV6
	Base Frequency	3.0 GHz	2.9 GHz	2.1 GHz	2.9 GHz	2.1 GHz	3.0 GHz	2.2 GHz	2.9 GHz	2.1 GHz
	Max Single Core Turbo Frequency	3.7 GHz	3.6 GHz	2.9 GHz	-	-	4.0 GHz	3.0 GHz	3.6 GHz	2.9 GHz
	Cores	4	4	4	2	2	4	4	4	4
	Cache	8 MB	6 MB	6 MB	3 MB	3 MB	8 MB	8 MB	6 MB	6 MB
	CPU TDP	45W	45W	25W	35W	25W	45W	25W	45W	25W
	BIOS	AMI UEFI 128Mbit								
Memory	Technology	DDR4 up to 2400MHz								
	ECC Support	ECC is supported with specific SKU								
	Max. Capacity	Up to 32GB								
	Socket	Dual Channel 260P SO-DIMM (1 DIMM per Channel)								
Graphics	Controller	Intel Gen 9 low power graphics								
	Base/Turbo Freq.	350MHz/1GHz								
	Graphics Memory	Intel DMVT5.0, share memory up to 1024MB								
	3D/HW Acceleration	HW Codec: H.265/HEVC 8bit/10bit encode/decode ; VP8 8bit encode/decode, VP9 10bit decode ; MPEG2 ; JPEG ; VC1/WMV9. Direct3D 2015/11.2/11.1/10/9 ; OpenGL5.0 ; OpenCL 2.0/1.2/1.0								
Display	VGA	1 port up to 1920 x 1200 @ 60 Hz								
	LCD	LVDS Dual Channel 18/24-bit, up to 1920 x 1200 @ 60Hz								
	DDI	2 Port configurable to HDMI1.4/DVI/Displayport1.2								
	Multiple Display	HDMI up to 4096 x 2160@30/24Hz, DVI up to 1920 x 1200@60Hz, DP up to 4096 x 2304 @ 60Hz Dual display, Triple display with each display combinations								
Expansion	PCI Express x16 (Gen3)	1 PCIe x16 configurable to 1 x16, 2 x8, 1 x8 + 2 x4								
	PCI Express x1 (Gen3)	8 PCIe x1, configurable to x4 or x2								
	Audio Interface	Intel HD Audio Interface								
	LPC	Yes								
Serial Bus	SMBus	Yes								
	I2C Bus	Yes								
Ethernet	Controller	Intel I219								
	Speed	10/100/1000 Mbps								
I/O	SATA (Gen 3)	4 Ports (6Gbps)								
	USB3.0	4 Ports (5Gbps)								
	USB2.0	8 Ports (480Mbps)								
	SPI Bus	Yes								
	GPIO	8-bit								
	Watchdog	65536 level, 0~65535 sec								
	COM Port	2 Ports (2-wire)								
	Express Card	2 Ports								
	TPM	TPM2.0 (Infineon SLB9665)								
Power	Smart Fan	2 Ports: 1 port on module (Notice: the input voltage of fan is aligned to Vin); 1 port on carrier board								
	Type	ATX: Vin, VSB; AT: Vin								
	Supply Voltage	Vin: 8.5V ~ 20V; VSB: 4.75V ~ 5.25 V, RTC Battery: 2.0V ~ 3.3V								
Environment	Power Consumption	Max: 12W @ 48.1W, i7-7820EQ Idle: 12W @ 6.77W, i7-7820EQ *Only for reference and will depends on custom software loading, detail refer to user manual								
	Operating Temperature	Standard: 0 ~ 60 °C (32 ~ 140 °F), Extend: -40 ~ 85 °C (-40 ~ 185 °F)								
	Storage Temperature	-40 ~ 85 °C (-40 ~ 185 °F)								
	Humidity	Operating: 40 °C @ 95% relative humidity, non-condensing Storage: 60 °C @ 95%relative humidity, non-condensing								
	Vibration Resistance	3.5 Grms								
Mechanical	Dimensions	125 mm x 95 mm (4.92" x 3.74")								

Block Diagram



***Display Configuration Table**

Default	DDI1 (DP++)	DDI2 (DP++)	DDI3 (HDMI only)	LVDS	VGA
Optional	DDI1 (DP++)	DDI2 (DP++)	DDI3 (DP++)	eDP (4 lanes)	

Ordering Information

Part No.	CPU	Freq.	Cores	CPU TDP	PCH	DDR4 Memory	Thermal Solution	Operating Temperature
SOM-5898C7-H0A1	i7-7820EQ	3.0	4	45W	QM175	non-ECC	Active	0 - 60 °C
SOM-5898C5-U9A1	i5-7440EQ	2.9	4	45W	QM175	non-ECC	Active	0 - 60 °C
SOM-5898C5-U1A1	i5-7442EQ	2.1	4	25W	QM175	non-ECC	Active	0 - 60 °C
SOM-5898C3-U9A1	i3-7100E	2.9	2	35W	QM175	non-ECC	Active	0 - 60 °C
SOM-5898C3-U1A1	i3-7102E	2.1	2	25W	QM175	non-ECC	Active	0 - 60 °C
SOM-5898E4M-H0A1	E3-1505MV6	3.0	4	45W	CM238	ECC/ non-ECC	Active	0 - 60 °C
SOM-5898E4L-U2A1	E3-1505LV6	2.2	4	25W	CM238	ECC/ non-ECC	Active	0 - 60 °C
SOM-5898E4M-U9A1	E3-1501MV6	2.9	4	45W	CM238	ECC/ non-ECC	Active	0 - 60 °C
SOM-5898E4L-U1A1	E3-1501LV6	2.1	4	25W	CM238	ECC/ non-ECC	Active	0 - 60 °C
SOM-5898C7X-H0A1	i7-7820EQ	3.0	4	45W	QM175	non-ECC	Active	-40 - 85 °C
SOM-5898C5X-U9A1	i5-7440EQ	2.9	4	45W	QM175	non-ECC	Active	-40 - 85 °C
SOM-5898C5X-U1A1	i5-7442EQ	2.1	4	25W	QM175	non-ECC	Active	-40 - 85 °C
SOM-5898C3X-U9A1	i3-7100E	2.9	2	35W	QM175	non-ECC	Active	-40 - 85 °C
SOM-5898C3X-U1A1	i3-7102E	2.1	2	25W	QM175	non-ECC	Active	-40 - 85 °C
SOM-5898E4MX-H0A1	E3-1505MV6	3.0	4	45W	CM238	ECC/ non-ECC	Active	-40 - 85 °C
SOM-5898E4LX-U2A1	E3-1505LV6	2.2	4	25W	CM238	ECC/ non-ECC	Active	-40 - 85 °C

Any other SKU or combination is project based support. Please contact sales for details.

Development Board

Part No.	Description
SOM-DB5800-00A2E	COMe Devel. Board Type6 pint-out Rev. A2

Optional Accessories

Part No.	Description
1960048820N001	Semi-Cooler 125 x 95 x 33 mm with 12V FAN
1960073941T061	Low Profile DHCS (125 x 95 x 30 mm)
1960073941T051	High Perf. DHCS (125 x 95 x 43 mm)

* Test conditions follow Advantech regulations and procedures.
 * DHCS: Dynamic Heat Conduction System Cooler

Packing List

Part No.	Description	Quantity
-	SOM-5898 CPU module	1
1960081253T001	Heatspreader	1

Embedded OS

OS	Part No.	Description
Win10 (HL)	2070015300	Img Win10 IoT Ent_LTSB 64 bit (Xeon & Core i7)
Win10 (VL)	2070015301	Img Win10 IoT Ent_LTSB 64 bit (Core i5 & i3)